



Chipsmall Limited consists of a professional team with an average of over 10 year of expertise in the distribution of electronic components. Based in Hongkong, we have already established firm and mutual-benefit business relationships with customers from,Europe,America and south Asia,supplying obsolete and hard-to-find components to meet their specific needs.

With the principle of “Quality Parts,Customers Priority,Honest Operation,and Considerate Service”,our business mainly focus on the distribution of electronic components. Line cards we deal with include Microchip,ALPS,ROHM,Xilinx,Pulse,ON,Everlight and Freescale. Main products comprise IC,Modules,Potentiometer,IC Socket,Relay,Connector.Our parts cover such applications as commercial,industrial, and automotives areas.

We are looking forward to setting up business relationship with you and hope to provide you with the best service and solution. Let us make a better world for our industry!



Contact us

Tel: +86-755-8981 8866 Fax: +86-755-8427 6832

Email & Skype: info@chipsmall.com Web: www.chipsmall.com

Address: A1208, Overseas Decoration Building, #122 Zhenhua RD., Futian, Shenzhen, China



CONCEALED HINGE



Version 1

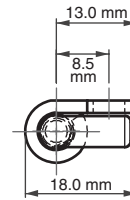
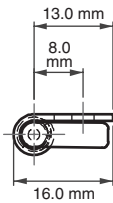
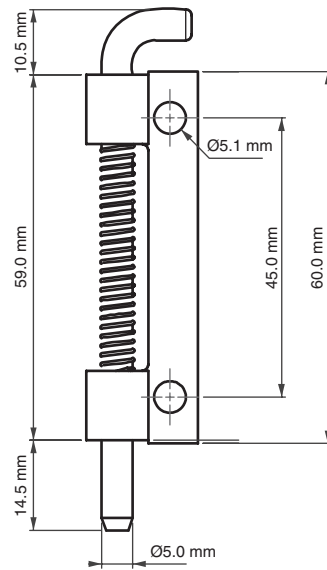
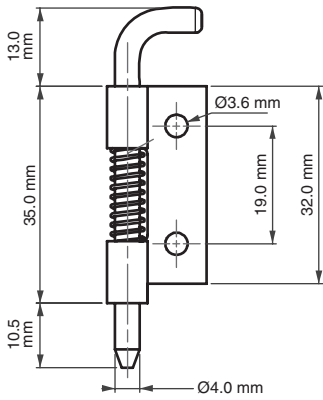
Version 2

Specifications

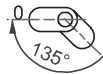
- Material: Steel
- Finish: Zinc plated

Features

- For internally mounted doors
- Spring loaded hinge for easy door removal
- Both versions are either screwed or welded on
- Suitable for left-hand and right-hand application



Hinge Rotation Angle



Note: Bolts are not supplied
Note: Assembled RH (as drawn)
Assembled LH (mirror inverted)

Item Number	Hinge Rotation	Material	Finish	Version	Hand
289631001	135°	Steel	Zinc Plated	1	Right
289631002	135°	Steel	Zinc Plated	1	Right
289632001	135°	Steel	Zinc Plated	2	Left
289632002	135°	Steel	Zinc Plated	2	Left