



Chipsmall Limited consists of a professional team with an average of over 10 year of expertise in the distribution of electronic components. Based in Hongkong, we have already established firm and mutual-benefit business relationships with customers from,Europe,America and south Asia,supplying obsolete and hard-to-find components to meet their specific needs.

With the principle of "Quality Parts,Customers Priority,Honest Operation,and Considerate Service",our business mainly focus on the distribution of electronic components. Line cards we deal with include Microchip,ALPS,ROHM,Xilinx,Pulse,ON,Everlight and Freescale. Main products comprise IC,Modules,Potentiometer,IC Socket,Relay,Connector.Our parts cover such applications as commercial,industrial, and automotives areas.

We are looking forward to setting up business relationship with you and hope to provide you with the best service and solution. Let us make a better world for our industry!



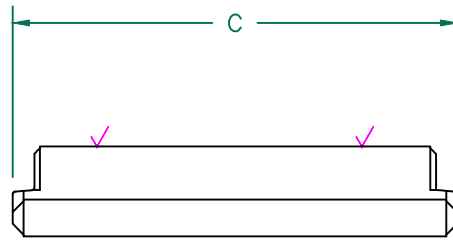
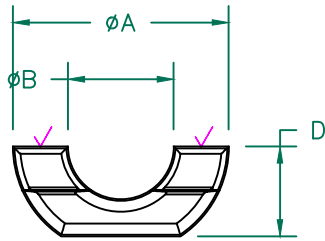
Contact us

Tel: +86-755-8981 8866 Fax: +86-755-8427 6832

Email & Skype: info@chipsmall.com Web: www.chipsmall.com

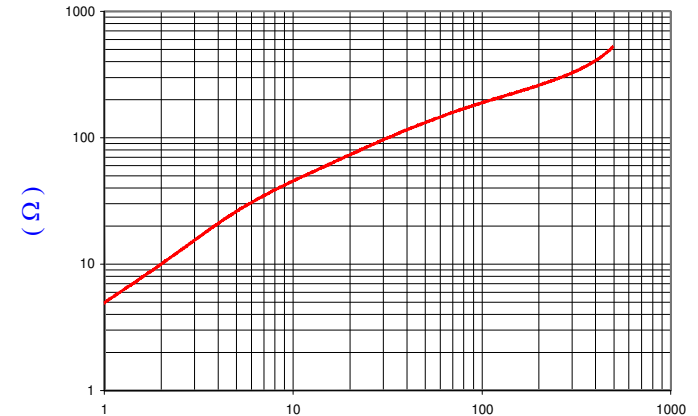
Address: A1208, Overseas Decoration Building, #122 Zhenhua RD., Futian, Shenzhen, China





IMPEDANCE (Z)			
Frequency	25 MHz	100 MHz	300 MHz
Nominal (REF)	75 Ω	170 Ω	320 Ω
Minimum	- Ω	136 Ω	- Ω

Z vs. FREQUENCY
(REF. ONLY)

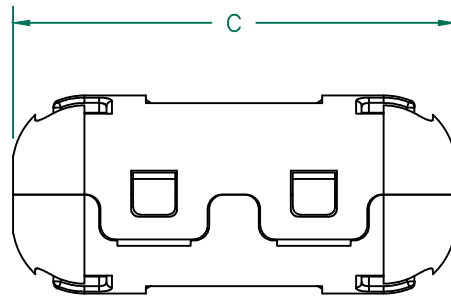
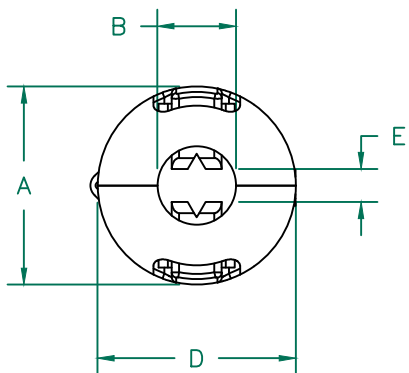


FERRITE CORE DIMENSIONS:

A	9.96 [.392]	\pm	0.15 [.006]
B	4.88 [.192]	\pm	0.13 [.005]
C	20.50 [.807]	\pm	0.25 [.010]
D	4.14 [.163]	\pm	0.13 [.005]

UNCONTROLLED DOCUMENT

RoHS



FREQUENCY (MHz)

AGILENT E4991A Impedance/Material Analyzer
HP 16092A-Test Fixture REF 3219

NOTES:

1. ASSEMBLED PART #: 28A0392-0A2
2. CASE COLOR: BLACK
3. CASE FLAMMABILITY RATING: UL94 V-2.
4. CASE MATERIAL: Halogen Free Nylon
5. COSMETIC SPECIFICATION REFER TO WI-QA-038.

CASE DIMENSIONS:

A	13.72 [.540]	\pm	REF.
B	5.44 [.214]	\pm	REF.
C	30.56 [1.203]	\pm	REF.
D	13.72 [.540]	\pm	REF.
E	2.29 [.090]	\pm	REF.

DIMENSIONS ARE IN mm [INCHES].				This print is the property of Laird Tech. and is loaned in confidence subject to return upon request and with the understanding that no copies shall be made without the written consent of Laird Tech. All rights to design or invention are reserved.				
REV	DESCRIPTION	DATE	INT					PROJECT/PART NUMBER:
K	UPDATE COMPANY LOGO, ADD NOTE 5	08/21/14	QIU	28A0392-0A2		K	FERRITE SNAP ON	JRK
J	UPDATED NOTE 3	09/15/10	JUN	DATE: 06/25/04		SCALE:	NTS	MATERIAL:
H	UPDATE LOGO ADD NOTES 3&4	01/26/09	JRK	CAD # 28A0392-0A2-K		TOOL #	-	Ferrite
G	UPDATE 100MHz MINIMUM VALUE	06/26/07	TMB					
F	UPDATE COMPANY LOGO	04/17/07	TMB					
E	ADD DIMENSION E TO CASE CALLOUT	02/05/07	TMB					
D	CHANGE CASE TOLERANCES TO REF REMOVE CORE & CASE REF REVISE NOTES	07/27/06	TMB					
C	UPDATE CORE AND CASE DESIGN REVISE NOTES	09/23/05	TMB					
REV	DESCRIPTION	DATE	INT					