



Chipsmall Limited consists of a professional team with an average of over 10 year of expertise in the distribution of electronic components. Based in Hongkong, we have already established firm and mutual-benefit business relationships with customers from,Europe,America and south Asia,supplying obsolete and hard-to-find components to meet their specific needs.

With the principle of “Quality Parts,Customers Priority,Honest Operation,and Considerate Service”,our business mainly focus on the distribution of electronic components. Line cards we deal with include Microchip,ALPS,ROHM,Xilinx,Pulse,ON,Everlight and Freescale. Main products comprise IC,Modules,Potentiometer,IC Socket,Relay,Connector.Our parts cover such applications as commercial,industrial, and automotives areas.

We are looking forward to setting up business relationship with you and hope to provide you with the best service and solution. Let us make a better world for our industry!



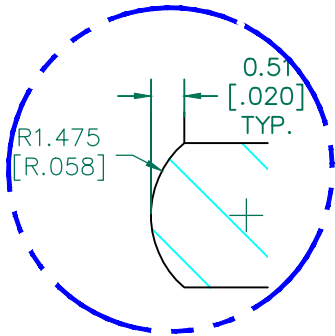
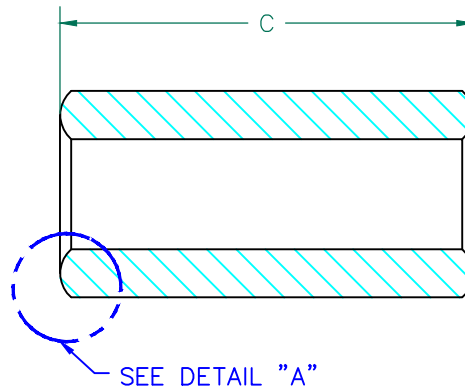
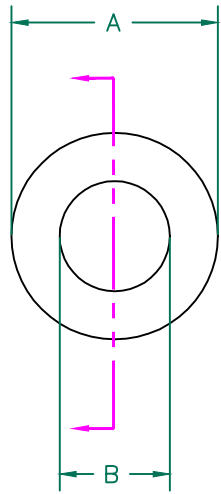
## Contact us

Tel: +86-755-8981 8866 Fax: +86-755-8427 6832

Email & Skype: info@chipsmall.com Web: www.chipsmall.com

Address: A1208, Overseas Decoration Building, #122 Zhenhua RD., Futian, Shenzhen, China



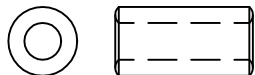


DETAIL A  
SCALE: 5:1

NOTES:

1. COSMETIC SPECIFICATION REFER TO WI-QA-038.

SCALE DRAWING 1:1



28B0375-300

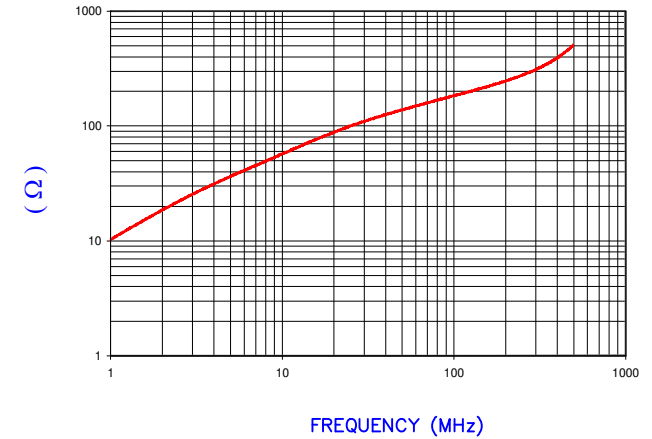
RoHS

**UNCONTROLLED DOCUMENT**

IMPEDANCE ( Z )

Frequency	25 MHz	100 MHz	300 MHz
Nominal (REF)	100 Ω	194 Ω	310 Ω
Minimum	- Ω	155 Ω	- Ω

Z vs. FREQUENCY  
(REF. ONLY)



AGILENT E4991A Impedance/Material Analyzer  
HP 16092A Test Fixture

DIMENSIONS

A	9.53 [.375]	+	0.20 [.008]
B	5.08 [.200]	+	0.15 [.006]
C	19.05 [.750]	+	0.51 [.020]

WEIGHT/1000 4.73 kgs 10.42 lbs

DIMENSIONS ARE IN MM [INCHES].

<table border="1"> <tr> <td>G</td> <td>UPDATE LOGO AND ADD NOTES</td> <td>10/10/14</td> <td>Jcai</td> </tr> <tr> <td>F</td> <td>UPDATE LOGO REVISE CHAMFER DESIGN</td> <td>11/03/08</td> <td>JRK</td> </tr> <tr> <td>E</td> <td>ADD CURVE UPDATE Z SPECS, REMOVE COATING SPECS CHG P/N FROM 30*</td> <td>05/12/03</td> <td>JRK</td> </tr> <tr> <td>D</td> <td>UPDATE PRINT FORMAT</td> <td>11/12/01</td> <td>JRK</td> </tr> <tr> <td>C</td> <td>CHG P/N TO 28B0375-30*, ADD COATING SPECS</td> <td>03/26/99</td> <td>I.S.</td> </tr> <tr> <td>B</td> <td>UPDATED P/N FOR NEW CATALOG</td> <td>12/11/95</td> <td>JBE</td> </tr> <tr> <td>A</td> <td>ORIGINAL DRAFT</td> <td>8/04/92</td> <td>LNK</td> </tr> <tr> <td>REV</td> <td>DESCRIPTION</td> <td>DATE</td> <td>INT</td> </tr> </table>				G	UPDATE LOGO AND ADD NOTES	10/10/14	Jcai	F	UPDATE LOGO REVISE CHAMFER DESIGN	11/03/08	JRK	E	ADD CURVE UPDATE Z SPECS, REMOVE COATING SPECS CHG P/N FROM 30*	05/12/03	JRK	D	UPDATE PRINT FORMAT	11/12/01	JRK	C	CHG P/N TO 28B0375-30*, ADD COATING SPECS	03/26/99	I.S.	B	UPDATED P/N FOR NEW CATALOG	12/11/95	JBE	A	ORIGINAL DRAFT	8/04/92	LNK	REV	DESCRIPTION	DATE	INT	<p>This print is the property of Laird Tech. and is loaned in confidence subject to return upon request and with the understanding that no copies shall be made without the written consent of Laird Tech. All rights to design or invention are reserved.</p>		
G	UPDATE LOGO AND ADD NOTES	10/10/14	Jcai																																			
F	UPDATE LOGO REVISE CHAMFER DESIGN	11/03/08	JRK																																			
E	ADD CURVE UPDATE Z SPECS, REMOVE COATING SPECS CHG P/N FROM 30*	05/12/03	JRK																																			
D	UPDATE PRINT FORMAT	11/12/01	JRK																																			
C	CHG P/N TO 28B0375-30*, ADD COATING SPECS	03/26/99	I.S.																																			
B	UPDATED P/N FOR NEW CATALOG	12/11/95	JBE																																			
A	ORIGINAL DRAFT	8/04/92	LNK																																			
REV	DESCRIPTION	DATE	INT																																			
PROJECT/PART NUMBER:		REV	PART TYPE:	DRAWN BY:																																		
28B0375-300		G	CNZ CORE	LNK																																		
DATE: 8/04/92		SCALE: 3 : 1		MATERIAL:																																		
CAD # 28B0375-300-G		TOOL # B0375		Ferrite																																		