



Chipsmall Limited consists of a professional team with an average of over 10 year of expertise in the distribution of electronic components. Based in Hongkong, we have already established firm and mutual-benefit business relationships with customers from,Europe,America and south Asia,supplying obsolete and hard-to-find components to meet their specific needs.

With the principle of “Quality Parts,Customers Priority,Honest Operation,and Considerate Service”,our business mainly focus on the distribution of electronic components. Line cards we deal with include Microchip,ALPS,ROHM,Xilinx,Pulse,ON,Everlight and Freescale. Main products comprise IC,Modules,Potentiometer,IC Socket,Relay,Connector.Our parts cover such applications as commercial,industrial, and automotives areas.

We are looking forward to setting up business relationship with you and hope to provide you with the best service and solution. Let us make a better world for our industry!



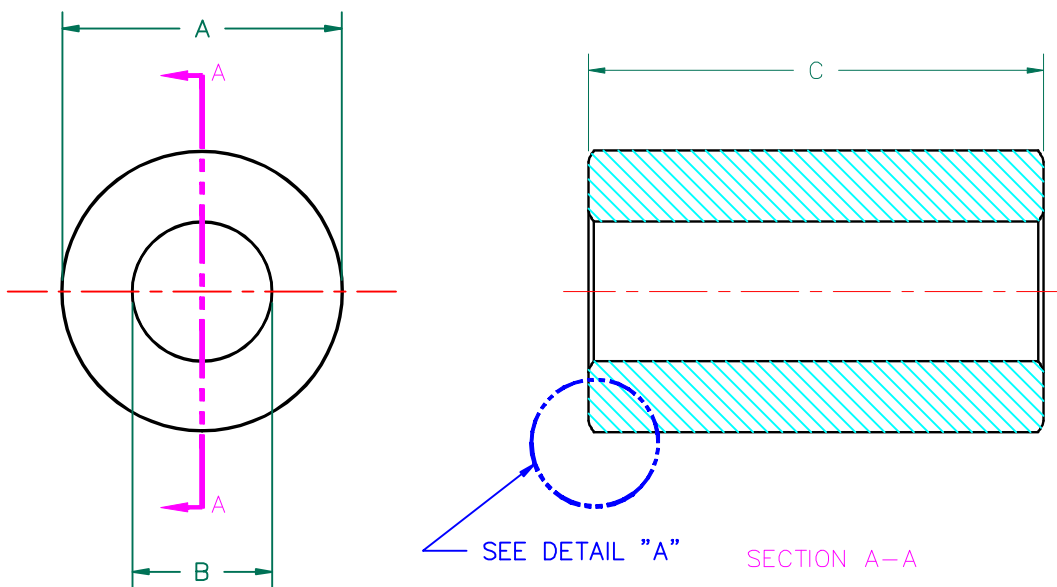
Contact us

Tel: +86-755-8981 8866 Fax: +86-755-8427 6832

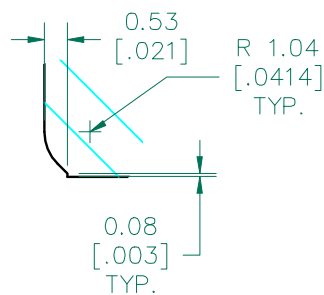
Email & Skype: info@chipsmall.com Web: www.chipsmall.com

Address: A1208, Overseas Decoration Building, #122 Zhenhua RD., Futian, Shenzhen, China





SEE DETAIL "A" SECTION A-A



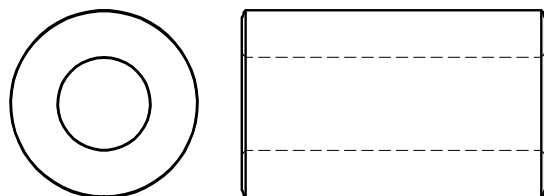
CHAMFER
DETAIL A
Scale: 6:1

**UNCONTROLLED
DOCUMENT**

NOTES:

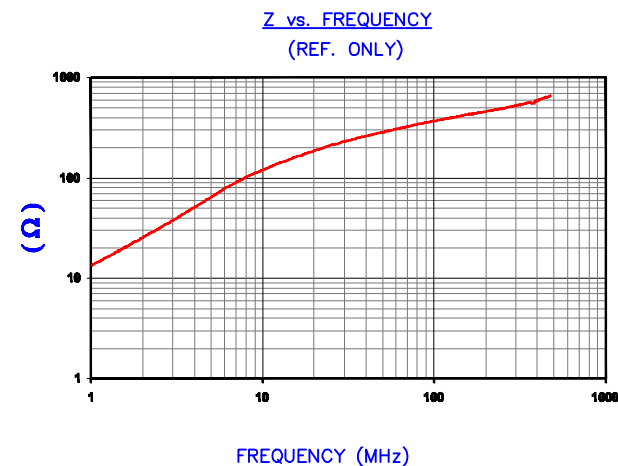
1. PARTS MUST BE TUMBLED, BURNISHED OR DEBURRED TO REMOVE ALL BURRS AND SHARP EDGES.

SCALE DRAWING 1:1



28B1020-300

IMPEDANCE (Z)			
Frequency	25 MHz	100 MHz	300 MHz
Nominal (REF)	212 Ω	369 Ω	477 Ω
Minimum	- Ω	295 Ω	- Ω



AGILENT E4991A Impedance/Material Analyzer
HP 16062A Test Fixture

FERRITE CORE DIMENSIONS (SPEC): mm [in]

A	25.91 [1.020]	±	0.50 [.020]
B	12.83 [.505]	±	0.30 [.012]
C	42.00 [1.653]	±	2.00 [.079]

WEIGHT/1000 82.46 kgs 181.79 lbs

DIMENSIONS ARE IN mm [INCHES].

This print is the property of Laird Tech. and is loaned in confidence subject to return upon request and with the understanding that no copies shall be made without the written consent of Laird Tech. All rights to design or invention are reserved.



PROJECT/PART NUMBER: 28B1020-300		REV A	PART TYPE: CNZ CORE	DRAWN BY: JRK
DATE: 01/08/09	SCALE: 1.5 : 1	MATERIAL: NiZn Ferrite		
REV A	DESCRIPTION ORIGINAL DRAFT	DATE 01/08/09	INT JRK	CAD # 28B1020-300-A
TOOL # B1020				

REV	DESCRIPTION	DATE	INT
A	ORIGINAL DRAFT	01/08/09	JRK