



Chipsmall Limited consists of a professional team with an average of over 10 year of expertise in the distribution of electronic components. Based in Hongkong, we have already established firm and mutual-benefit business relationships with customers from,Europe,America and south Asia,supplying obsolete and hard-to-find components to meet their specific needs.

With the principle of “Quality Parts,Customers Priority,Honest Operation,and Considerate Service”,our business mainly focus on the distribution of electronic components. Line cards we deal with include Microchip,ALPS,ROHM,Xilinx,Pulse,ON,Everlight and Freescale. Main products comprise IC,Modules,Potentiometer,IC Socket,Relay,Connector.Our parts cover such applications as commercial,industrial, and automotives areas.

We are looking forward to setting up business relationship with you and hope to provide you with the best service and solution. Let us make a better world for our industry!



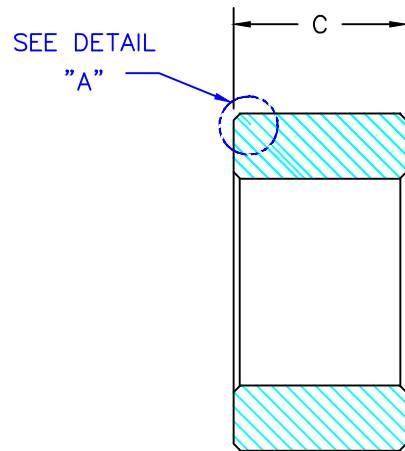
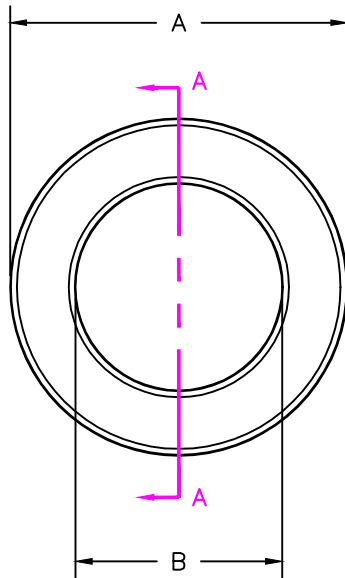
Contact us

Tel: +86-755-8981 8866 Fax: +86-755-8427 6832

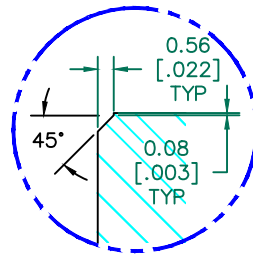
Email & Skype: info@chipsmall.com Web: www.chipsmall.com

Address: A1208, Overseas Decoration Building, #122 Zhenhua RD., Futian, Shenzhen, China



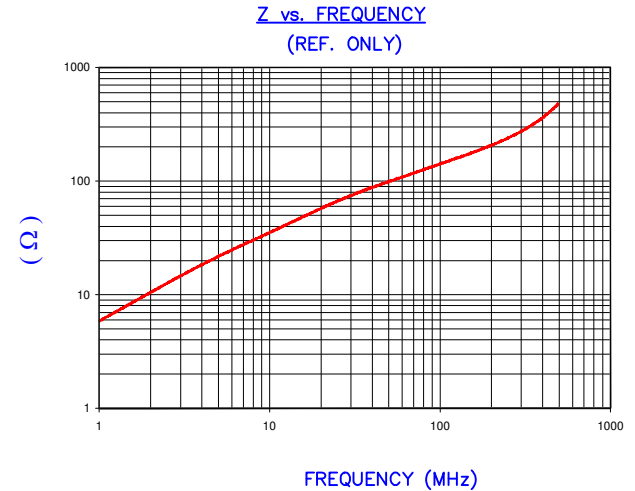


SECTION A-A

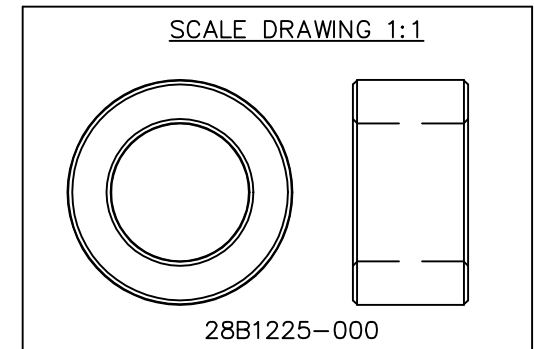


DETAIL "A"
SCALE: 4:1

IMPEDANCE (Z)			
Frequency	25 MHz	100 MHz	300 MHz
Nominal (REF)	68 Ω	140 Ω	270 Ω
Minimum	- Ω	112 Ω	- Ω



AGILENT E4991A Impedance/Material Analyzer
HP 16092A Test Fixture



RoHS

UNCONTROLLED DOCUMENT

NOTES: UNLESS OTHERWISE SPECIFIED

1. COSMETIC SPECIFICATION REFER TO WI-QA-038.

FERRITE CORE DIMENSIONS (SPEC): mm/inches

A	31.12 [1.225]	±	0.61 [.024]
B	19.05 [.750]	±	0.40 [.016]
C	15.93 [.627]	±	0.40 [.016]

WEIGHT/1000 37.16 kgs 81.93 Lbs.

DIMENSIONS ARE IN mm (INCHES).				This print is the property of Laird Tech. and is loaned in confidence subject to return upon request and with the understanding that no copies shall be made without the written consent of Laird Tech. All rights to design or invention are reserved.			
J	UPDATE COMPANY LOGO	05/22/15	QIU				
H	CHANGE P/N REMOVE COATING SPECS	08/15/03	JRK	PROJECT/PART NUMBER: 28B1225-000	REV J	DRAWN BY: DJB	
G	UPDATE FORMAT, Z SPECS, ADD CURVE CHG P/N WAS 000 ADD COATING SPECS	07/22/03	JRK				
F	CHG P/N WAS 00* REM COATINGS ADD DETAIL A	07/31/02	JRK	DATE: 05/21/93	SCALE: 1.5 : 1	MATERIAL: FERRITE	
E	CHG P/N FROM -000 ADD COATING SPECS	03/24/99	IS				
D	UPDATED P/N FOR NEW CATALOG	09/25/95	JBE	CAD # 28B1225-000-J	TOOL # B1225		
C	ADDED NOTE TO COVER SHEET	12/08/93	JAZ				
B	CHG THICKNESS, IMPED, WK/K	06/30/93	DJB				
REV	DESCRIPTION	DATE	INT				