



Chipsmall Limited consists of a professional team with an average of over 10 year of expertise in the distribution of electronic components. Based in Hongkong, we have already established firm and mutual-benefit business relationships with customers from,Europe,America and south Asia,supplying obsolete and hard-to-find components to meet their specific needs.

With the principle of “Quality Parts,Customers Priority,Honest Operation,and Considerate Service”,our business mainly focus on the distribution of electronic components. Line cards we deal with include Microchip,ALPS,ROHM,Xilinx,Pulse,ON,Everlight and Freescale. Main products comprise IC,Modules,Potentiometer,IC Socket,Relay,Connector.Our parts cover such applications as commercial,industrial, and automotives areas.

We are looking forward to setting up business relationship with you and hope to provide you with the best service and solution. Let us make a better world for our industry!



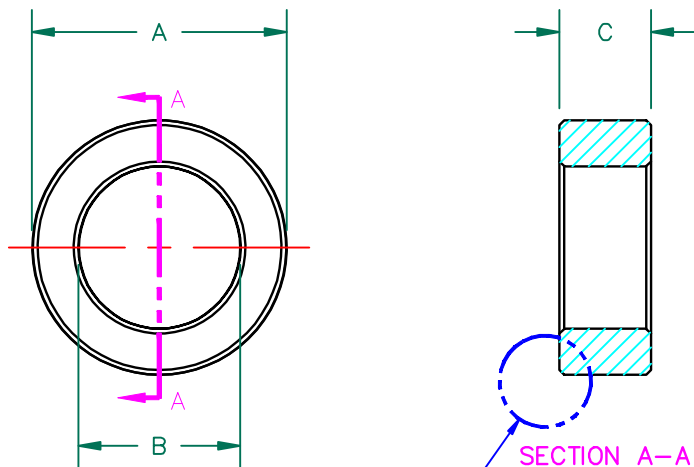
Contact us

Tel: +86-755-8981 8866 Fax: +86-755-8427 6832

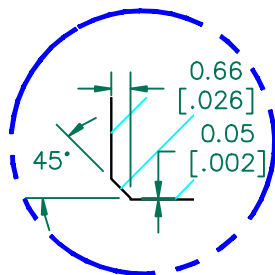
Email & Skype: info@chipsmall.com Web: www.chipsmall.com

Address: A1208, Overseas Decoration Building, #122 Zhenhua RD., Futian, Shenzhen, China





SEE DETAIL "A"

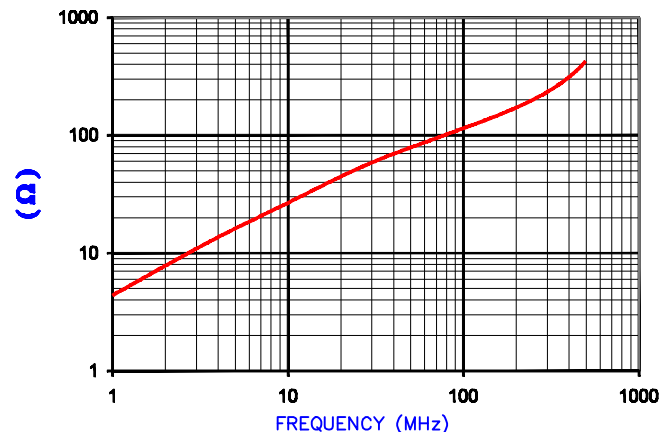


DETAIL "A"
TYPICAL
CHAMFER
SCALE=4:1

**UNCONTROLLED
DOCUMENT**

IMPEDANCE (Z)			
Frequency	25 MHz	100 MHz	300 MHz
Nominal (REF)	52 Ω	115 Ω	320 Ω
Minimum	- Ω	92 Ω	- Ω

Z vs. FREQUENCY
(REF. ONLY)



AGILENT E4991A Impedance/Material Analyzer
HP 10092A-Test Fixture

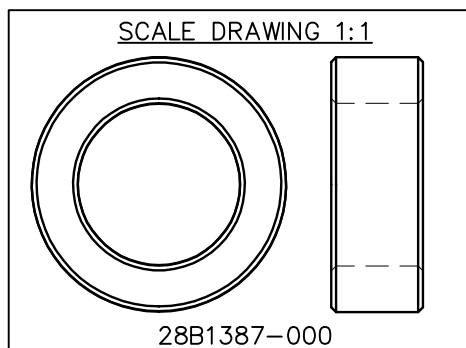
FERRITE CORE DIMENSIONS (SPEC): mm [in]


A	35.23 [1.387]	± 0.66 [.026]
B	22.40 [.882]	± 0.46 [.018]
C	12.70 [.500]	± 0.25 [.010]

WEIGHT/1000 36.05 kgs [79.47Lbs]

NOTES:

- REFERENCE STEWARD P/N 28B1387-00*, REV C.



DIMENSIONS ARE IN mm [INCHES]				THIS DOCUMENT CONTAINS INFORMATION WHICH IS PROPRIETARY AND CONFIDENTIAL TO STEWARD. NO PRODUCTION OR PUBLICATION OF THIS DOCUMENT IN WHOLE OR IN PART SHALL BE MADE WITHOUT WRITTEN AUTHORIZATION FROM STEWARD.			
E	UPDATE COMPANY LOGO	05/09/07	TMB				
D	UPDATE PRINT FORMAT ADD IMPEDANCE CURVE ADD IMPEDANCE (Z) VALUES TO UPPER RIGHT CORNER OF PRINT CHANGE P/N TO -000 REM COATING SPEC	03/11/03	TMB				
C	CHG P/N TO 28B1387-00*, ADD COATING SPECS	03/24/99	I.S.	PROJECT/PART NUMBER:	REV	PART TYPE:	DRAWN BY:
B	UPDATED P/N FOR NEW CATALOG	10/31/95	JBE	28B1387-000	E	FERRITE CORE	LNK
A	ORIGINAL DRAFT	12/28/92	LNK	DATE:	SCALE:	MATERIAL:	
REV	DESCRIPTION	DATE	INT	12/28/92	1 : 1	STEWARD 28	
				CAD #	TOOL #		
				28B1387-000-E	B1387		