



Chipsmall Limited consists of a professional team with an average of over 10 year of expertise in the distribution of electronic components. Based in Hongkong, we have already established firm and mutual-benefit business relationships with customers from,Europe,America and south Asia,supplying obsolete and hard-to-find components to meet their specific needs.

With the principle of "Quality Parts,Customers Priority,Honest Operation,and Considerate Service",our business mainly focus on the distribution of electronic components. Line cards we deal with include Microchip,ALPS,ROHM,Xilinx,Pulse,ON,Everlight and Freescale. Main products comprise IC,Modules,Potentiometer,IC Socket,Relay,Connector.Our parts cover such applications as commercial,industrial, and automotives areas.

We are looking forward to setting up business relationship with you and hope to provide you with the best service and solution. Let us make a better world for our industry!



Contact us

Tel: +86-755-8981 8866 Fax: +86-755-8427 6832

Email & Skype: info@chipsmall.com Web: www.chipsmall.com

Address: A1208, Overseas Decoration Building, #122 Zhenhua RD., Futian, Shenzhen, China



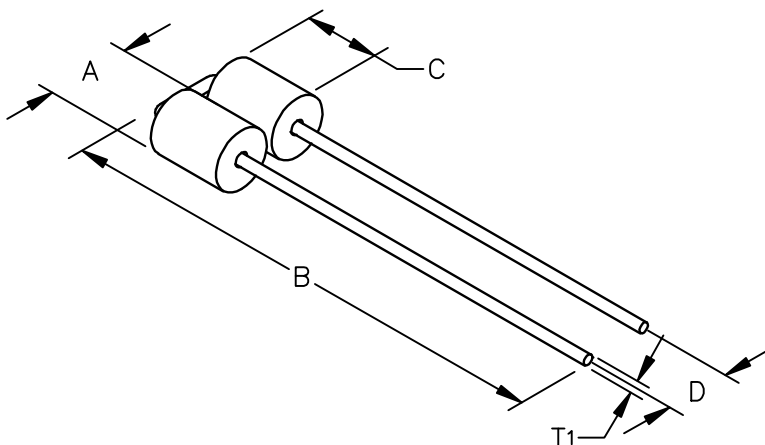
28J0138-11R-10

PHYSICAL DIMENSIONS:

A	3.51	[.138]	+	0.13	[.005]
B	25.4	[1.00]	+	0.51	[.020]
C	4.45	[.175]	+	0.20	[.008]
			-	0.80	[.031]
D	3.81	[.150]	+	0.20	[.008]

WIRE DIMENSIONS:

T1	0.64	[.025]	+	0.05	[.002]
----	------	--------	---	------	--------

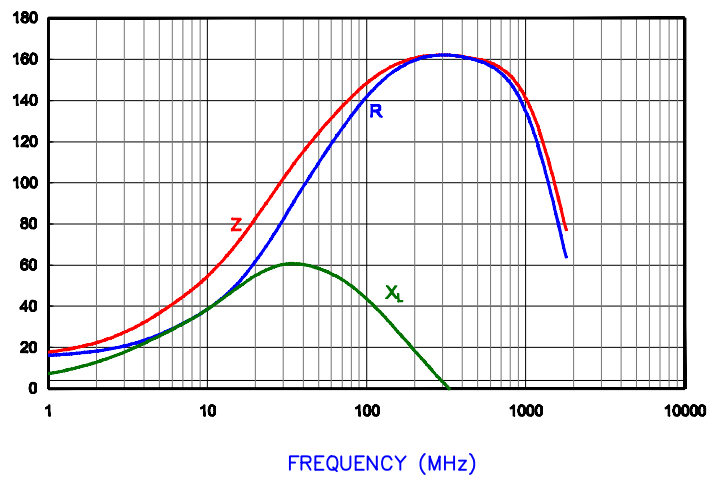


ELECTRICAL CHARACTERISTICS:

	Z @ 100MHz (Ω)	DCR (Ω)	Rated Current
Nominal	143	-	-
Minimum	107	-	-
Maximum	-	0.01	5,000 mA



[Z], R AND XL vs FREQUENCY




Z **R** **X_L**

**UNCONTROLLED
DOCUMENT**

NOTES: UNLESS OTHERWISE SPECIFIED

- COMPONENTS SHOULD BE ADEQUATELY PREHEATED BEFORE SOLDERING.
- WIRE: C10200 OXYGEN FREE COPPER (99.95 MIN.) 22AWG (.025 DIA.)
- PLATING: 100% TIN $5\mu \pm 2\mu$ [$200\mu\text{in} \pm 80\mu\text{in}$]
- WEIGHT/K: .46 #

DIMENSIONS ARE IN mm (INCHES).				THIS DOCUMENT CONTAINS INFORMATION WHICH IS PROPRIETARY AND CONFIDENTIAL TO STEWARD. NO PRODUCTION OR PUBLICATION OF THIS DOCUMENT IN WHOLE OR IN PART SHALL BE MADE WITHOUT WRITTEN AUTHORIZATION FROM STEWARD.			
H	ADD ROHS & PB SYMBOLS CHG LOGO	04/20/07	JRK				
G	CHANGE P/N TO -10	12/09/03	JRK				
F	CHANGE WIRE NOTE ADD PLATING NOTE	04/07/03	JRK				
E	REMOVE NOTE # 1	03/21/02	JRK				
D	UPDATE PRINT FORMAT, ADD Z CURVE REMOVE SHEETS 3 & 4 ADDED NOTES	04/30/99	IS				
PROJECT/PART NUMBER:				REV	PART TYPE:	DRAWN BY:	
28J0138-11R-10				H	ASSEMBLY	JAZ	
C	ADDED IMPEDANCE SPEC	04/25/95	JBE	DATE:	08/03/92	SCALE:	NTS
B	CHANGED LENGTH	03/18/94	JAZ	CAD #		SHEET:	
REV	DESCRIPTION	DATE	INT	28J0138-11R-10-H		TOOL #	B0138
						2 OF 3	