



Chipsmall Limited consists of a professional team with an average of over 10 year of expertise in the distribution of electronic components. Based in Hongkong, we have already established firm and mutual-benefit business relationships with customers from,Europe,America and south Asia,supplying obsolete and hard-to-find components to meet their specific needs.

With the principle of “Quality Parts,Customers Priority,Honest Operation,and Considerate Service”,our business mainly focus on the distribution of electronic components. Line cards we deal with include Microchip,ALPS,ROHM,Xilinx,Pulse,ON,Everlight and Freescale. Main products comprise IC,Modules,Potentiometer,IC Socket,Relay,Connector.Our parts cover such applications as commercial,industrial, and automotives areas.

We are looking forward to setting up business relationship with you and hope to provide you with the best service and solution. Let us make a better world for our industry!



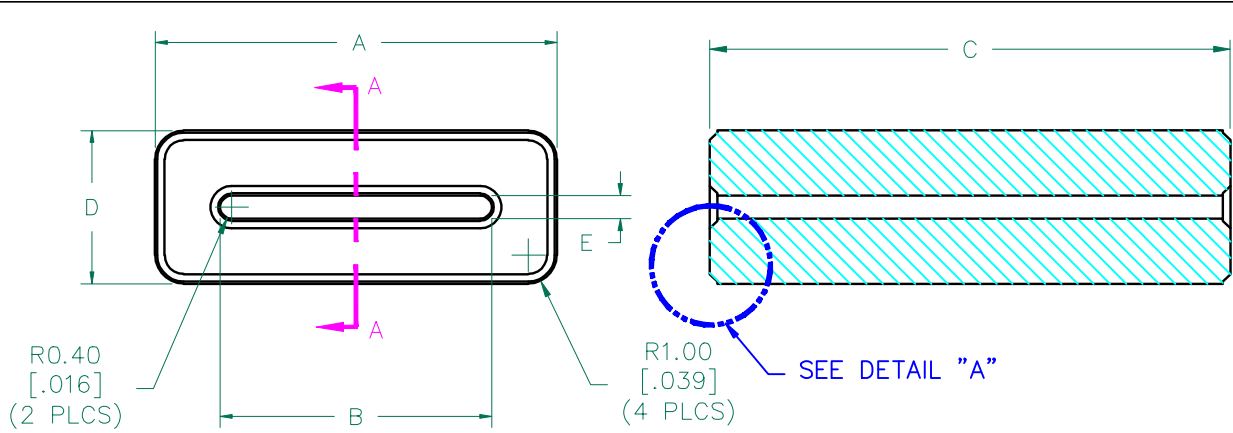
## Contact us

Tel: +86-755-8981 8866 Fax: +86-755-8427 6832

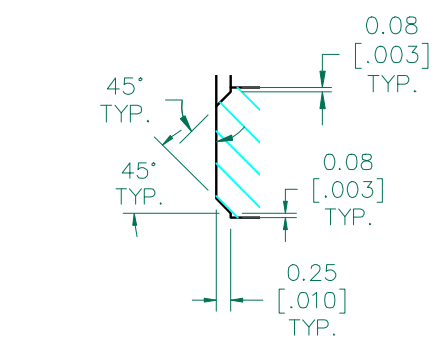
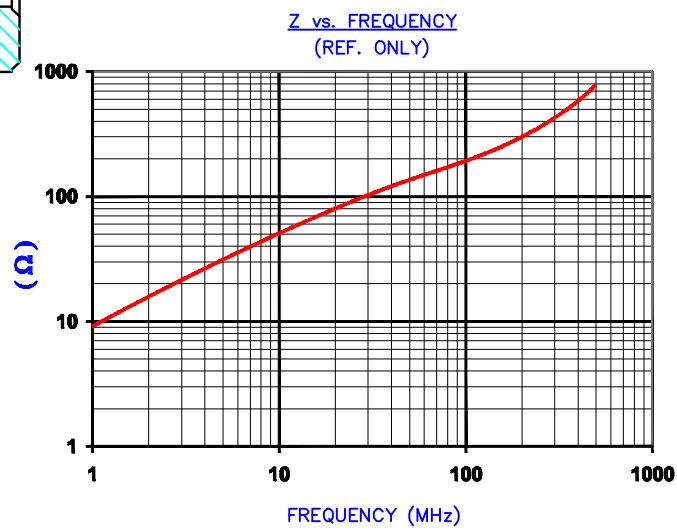
Email & Skype: info@chipsmall.com Web: www.chipsmall.com

Address: A1208, Overseas Decoration Building, #122 Zhenhua RD., Futian, Shenzhen, China





IMPEDANCE ( Z )			
Frequency	25 MHz	100 MHz	300 MHz
Nominal (REF)	91 Ω	193 Ω	419 Ω
Minimum	- Ω	154 Ω	- Ω



DETAIL "A"  
CHAMFER  
SCALE=8:1

**UNCONTROLLED DOCUMENT**

AGILENT E4991A Impedance/Material Analyzer  
HP 16092A-Test Fixture TEST REF. 6158

FERRITE CORE DIMENSIONS (SPEC): mm [in]

A	13.90 [.547]	+ 0.20 [.008]
B	9.40 [.370]	+ 0.20 [.008]
C	18.00 [.709]	+ 0.40 [.016]
D	5.30 [.209]	+ 0.20 [.008]
E	0.80 [.0315]	+ 0.20 [.008]

WEIGHT/1000 5.80 kgs [12.79 Lbs]

SCALE DRAWING 1:1

28R0546-000

DIMENSIONS ARE IN mm[INCHES].				THIS DOCUMENT CONTAINS INFORMATION WHICH IS PROPRIETARY AND CONFIDENTIAL TO STEWARD. NO PRODUCTION OR PUBLICATION OF THIS DOCUMENT IN WHOLE OR IN PART SHALL BE MADE WITHOUT WRITTEN AUTHORIZATION FROM STEWARD.				
				<b>Steward</b>		<small>a unit of</small> <b>Laird</b> <small>TECHNOLOGIES</small>		
				PROJECT/PART NUMBER: <b>28R0546-000</b>		REV <b>A</b>	PART TYPE: <b>FERRITE RIBBON CORE</b>	DRAWN BY: <b>JRK</b>
				DATE: 08/31/07	SCALE: 4 : 1	MATERIAL: <b>NiZn Ferrite</b>		
<b>A</b>	<b>ORIGINAL DRAFT</b>	<b>08/31/07</b>	<b>JRK</b>	CAD # 28R0546-000-A		TOOL # R0546		
REV	DESCRIPTION	DATE	INT					