



Chipsmall Limited consists of a professional team with an average of over 10 year of expertise in the distribution of electronic components. Based in Hongkong, we have already established firm and mutual-benefit business relationships with customers from,Europe,America and south Asia,supplying obsolete and hard-to-find components to meet their specific needs.

With the principle of “Quality Parts,Customers Priority,Honest Operation,and Considerate Service”,our business mainly focus on the distribution of electronic components. Line cards we deal with include Microchip,ALPS,ROHM,Xilinx,Pulse,ON,Everlight and Freescale. Main products comprise IC,Modules,Potentiometer,IC Socket,Relay,Connector.Our parts cover such applications as commercial,industrial, and automotives areas.

We are looking forward to setting up business relationship with you and hope to provide you with the best service and solution. Let us make a better world for our industry!



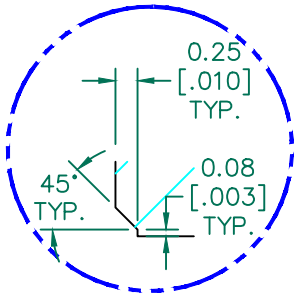
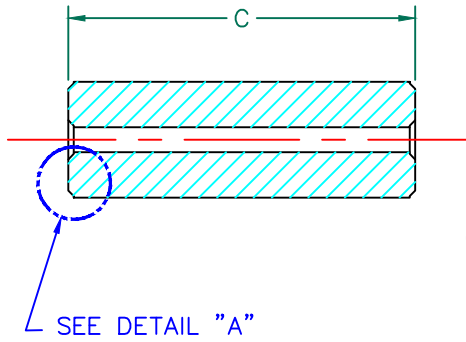
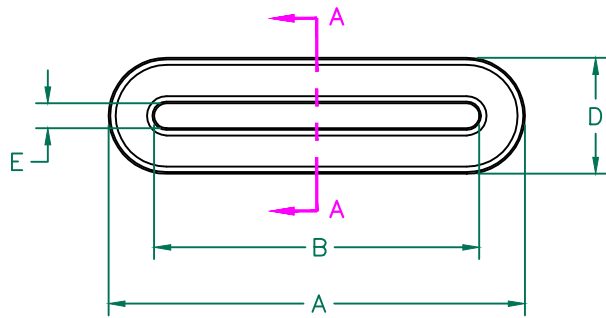
## Contact us

Tel: +86-755-8981 8866 Fax: +86-755-8427 6832

Email & Skype: info@chipsmall.com Web: www.chipsmall.com

Address: A1208, Overseas Decoration Building, #122 Zhenhua RD., Futian, Shenzhen, China



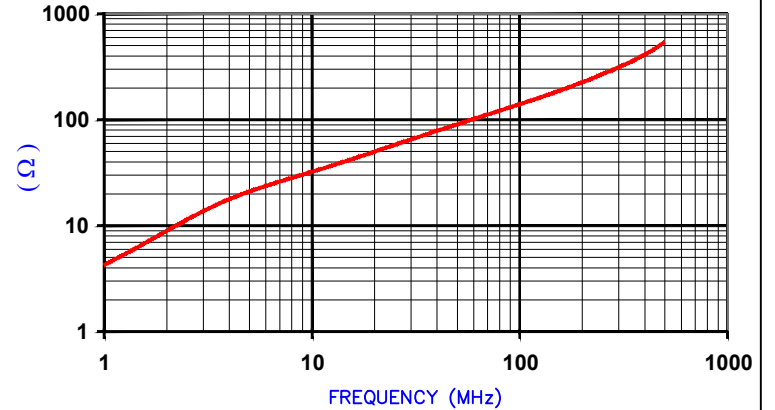


DETAIL "A"  
CHAMFER  
SCALE=12:1

**UNCONTROLLED DOCUMENT**

IMPEDANCE ( Z )			
Frequency	25 MHz	100 MHz	300 MHz
Nominal (REF)	57 Ω	140 Ω	308 Ω
Minimum	- Ω	112 Ω	- Ω

Z vs. FREQUENCY  
(REF. ONLY)



AGILENT E4991A Impedance/Material Analyzer  
HP 16092A-Test Fixture TEST REF. 4481

FERRITE CORE DIMENSIONS (SPEC): mm [in]

A	19.20 [.756]	+ 0.29 [.011]
B	15.00 [.591]	+ 0.23 [.009]
C	16.00 [.630]	+ 0.32 [.013]
D	5.35 [.211]	+ 0.25 [.010]
E	1.15 [.045]	+ 0.25 [.010]
		- 0.15 [.006]

WEIGHT/1000 6.27 kgs [13.82 Lbs]

NOTES: UNLESS OTHERWISE SPECIFIED

1. COSMETIC SPECIFICATION REFER TO WI-QA-038.

SCALE DRAWING 1:1

28R0756-200



DIMENSIONS ARE IN mm [INCHES].				This print is the property of Laird Tech. and is loaned in confidence subject to return upon request and with the understanding that no copies shall be made without the written consent of Laird Tech. All rights to design or invention are reserved.		<b>Laird</b>	
E	UPDATE COMPANY LOGO	05/26/15	QIU	PROJECT/PART NUMBER:		REV	DRAWN BY:
D	UPDATE Z SPECS AND COMPANY LOGO	07/27/07	JRK	28R0756-200		E	TMB
C	UPDATE Z SPECS & ADD TEST REF. #	11/16/04	TMB	DATE:	10/18/02	SCALE:	3:1
B	CHANGE PRINT FORMAT CHANGE Z SPECS	02/17/03	TMB	CAD #	28R0756-200-E	TOOL #	R0756
A	ORIGINAL DRAFT	10/18/02	TMB			MATERIAL: <b>FERRITE</b>	
REV	DESCRIPTION	DATE	INT				