

Chipsmall Limited consists of a professional team with an average of over 10 year of expertise in the distribution of electronic components. Based in Hongkong, we have already established firm and mutual-benefit business relationships with customers from,Europe,America and south Asia,supplying obsolete and hard-to-find components to meet their specific needs.

With the principle of “Quality Parts,Customers Priority,Honest Operation,and Considerate Service”,our business mainly focus on the distribution of electronic components. Line cards we deal with include Microchip,ALPS,ROHM,Xilinx,Pulse,ON,Everlight and Freescale. Main products comprise IC,Modules,Potentiometer,IC Socket,Relay,Connector.Our parts cover such applications as commercial,industrial, and automotives areas.

We are looking forward to setting up business relationship with you and hope to provide you with the best service and solution. Let us make a better world for our industry!

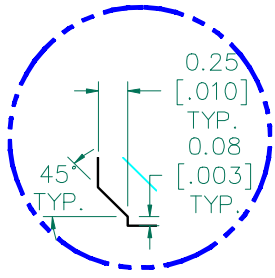
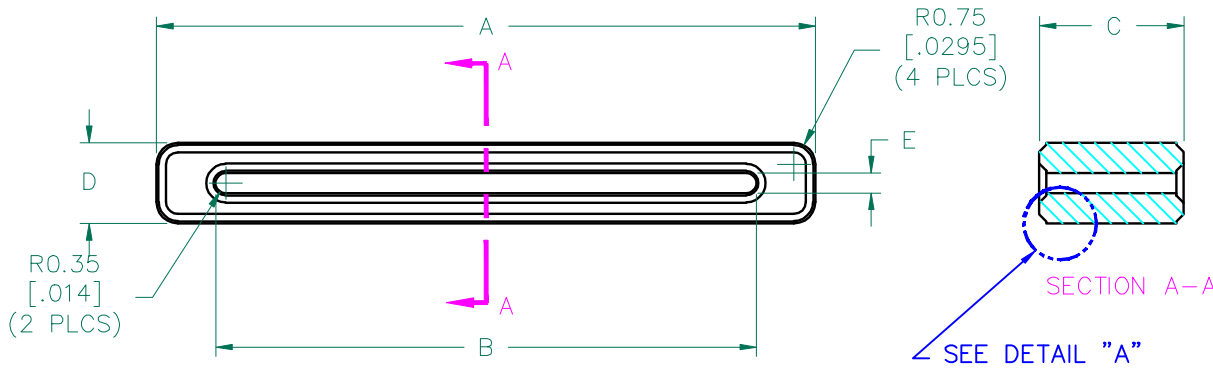


Contact us

Tel: +86-755-8981 8866 Fax: +86-755-8427 6832

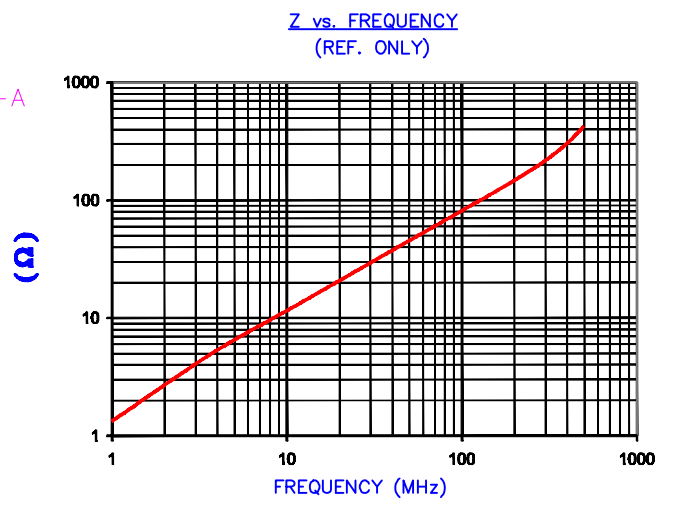
Email & Skype: info@chipsmall.com Web: www.chipsmall.com

Address: A1208, Overseas Decoration Building, #122 Zhenhua RD., Futian, Shenzhen, China



UNCONTROLLED DOCUMENT

IMPEDANCE (Z)			
Frequency	25 MHz	100 MHz	300 MHz
Nominal (REF)	25 Ω	80 Ω	220 Ω
Minimum	- Ω	64 Ω	- Ω



FERRITE CORE DIMENSIONS (SPEC): mm [in.]

A	22.80 [.898]	+ 0.34 [.013]
B	18.70 [.736]	+ 0.28 [.011]
C	5.00 [.197]	+ 0.20 [.008]
D	2.80 [.110]	+ 0.20 [.008]
E	0.70 [.028]	+ 0.15 [.006]

WEIGHT/1000 1.20 kgs [2.65 Lbs]

DIMENSIONS ARE IN mm[INCHES].				THIS DOCUMENT CONTAINS INFORMATION WHICH IS PROPRIETARY AND CONFIDENTIAL TO STEWARD. NO PRODUCTION OR PUBLICATION OF THIS DOCUMENT IN WHOLE OR IN PART SHALL BE MADE WITHOUT WRITTEN AUTHORIZATION FROM STEWARD.				
<p>RE-ACTIVATE PRINT, UPDATE COMPANY LOGO, CHG C DIMS FROM 6.00 CHG Z SPEC @ 100 MHZ</p>				PROJECT/PART NUMBER:		REV:	PART TYPE:	DRAWN BY:
				28R0898-000		C	FERRITE RIBBON CORE	TMB
B	CHANGE PRINT FORMAT CHANGE Z SPECS	05/15/03	TMB	DATE:	10/17/02	SCALE:	4 : 1	MATERIAL:
A	ORIGINAL DRAFT	10/17/02	TMB	CAD #	28R0898-000-C	TOOL #	R0898	NiZn Ferrite
REV	DESCRIPTION	DATE	INT					

SCALE DRAWING 1:1

28R0898-000