



Chipsmall Limited consists of a professional team with an average of over 10 year of expertise in the distribution of electronic components. Based in Hongkong, we have already established firm and mutual-benefit business relationships with customers from,Europe,America and south Asia,supplying obsolete and hard-to-find components to meet their specific needs.

With the principle of “Quality Parts,Customers Priority,Honest Operation,and Considerate Service”,our business mainly focus on the distribution of electronic components. Line cards we deal with include Microchip,ALPS,ROHM,Xilinx,Pulse,ON,Everlight and Freescale. Main products comprise IC,Modules,Potentiometer,IC Socket,Relay,Connector.Our parts cover such applications as commercial,industrial, and automotives areas.

We are looking forward to setting up business relationship with you and hope to provide you with the best service and solution. Let us make a better world for our industry!



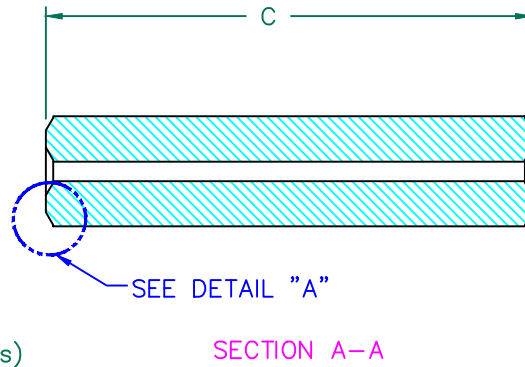
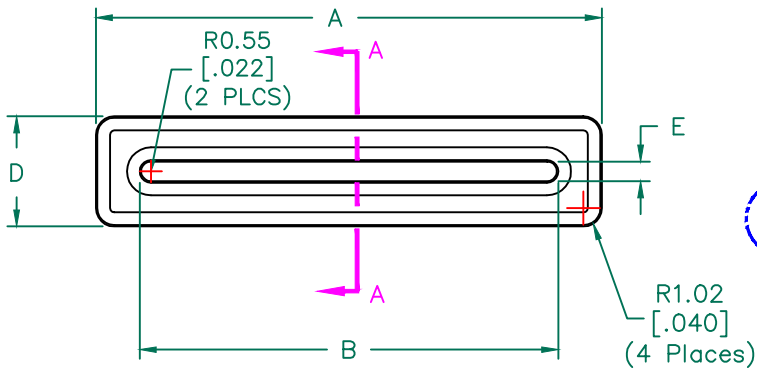
Contact us

Tel: +86-755-8981 8866 Fax: +86-755-8427 6832

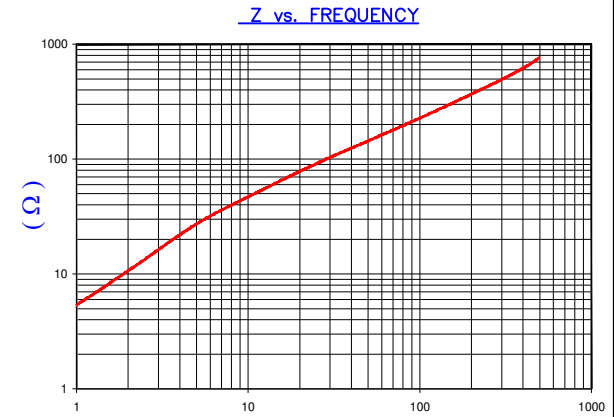
Email & Skype: info@chipsmall.com Web: www.chipsmall.com

Address: A1208, Overseas Decoration Building, #122 Zhenhua RD., Futian, Shenzhen, China

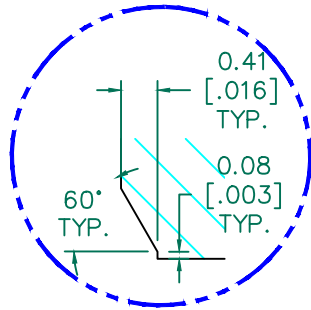




IMPEDANCE (Z)			
Frequency	25 MHz	100 MHz	300 MHz
Nominal (REF)	95 Ω	230 Ω	480 Ω
Minimum	- Ω	184 Ω	- Ω



FREQUENCY (MHz)
 AGILENT E4991A Impedance/Material Analyzer
 HP 16092A-Test Fixture, REF # 3107



DETAIL "A"
 CHAMFER
 SCALE=12:1

UNCONTROLLED DOCUMENT



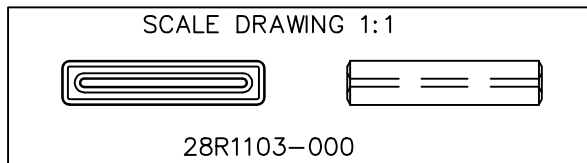
FERRITE CORE DIMENSIONS (SPEC): mm [in.]

A	28.00 [1.102]	±	0.51 [.020]
B	23.00 [.906]	±	0.35 [.014]
C	27.00 [1.063]	±	0.45 [.018]
D	6.10 [.240]	+	0.36 [.014]
		-	0.20 [.008]
E	1.10 [.043]	+	0.25 [.010]
		-	0.10 [.004]

WEIGHT/1000 19.12 kgs [42.15 Lbs]

NOTES: UNLESS OTHERWISE SPECIFIED

1. COSMETIC SPECIFICATION REFER TO WI-QA-038.



DIMENSIONS ARE IN mm[INCHES].				This print is the property of Laird Tech. and is loaned in confidence subject to return upon request and with the understanding that no copies shall be made without the written consent of Laird Tech. All rights to design or invention are reserved.		Laird	
C	UPDATE COMPANY LOGO	05/29/15	QIU	PROJECT/PART NUMBER: 28R1103-000		REV C	DRAWN BY: JRK
B	UPDATE Z SPEC AND COMPANY LOGO	07/27/07	JRK	DATE: 03/01/04	SCALE: 2.5 : 1	MATERIAL: FERRITE	
A	ORIGINAL DRAFT	03/01/04	JRK	CAD # 28R1103-000-C	TOOL # R1103		
REV	DESCRIPTION	DATE	INT				