



Chipsmall Limited consists of a professional team with an average of over 10 year of expertise in the distribution of electronic components. Based in Hongkong, we have already established firm and mutual-benefit business relationships with customers from,Europe,America and south Asia,supplying obsolete and hard-to-find components to meet their specific needs.

With the principle of “Quality Parts,Customers Priority,Honest Operation,and Considerate Service”,our business mainly focus on the distribution of electronic components. Line cards we deal with include Microchip,ALPS,ROHM,Xilinx,Pulse,ON,Everlight and Freescale. Main products comprise IC,Modules,Potentiometer,IC Socket,Relay,Connector.Our parts cover such applications as commercial,industrial, and automotives areas.

We are looking forward to setting up business relationship with you and hope to provide you with the best service and solution. Let us make a better world for our industry!



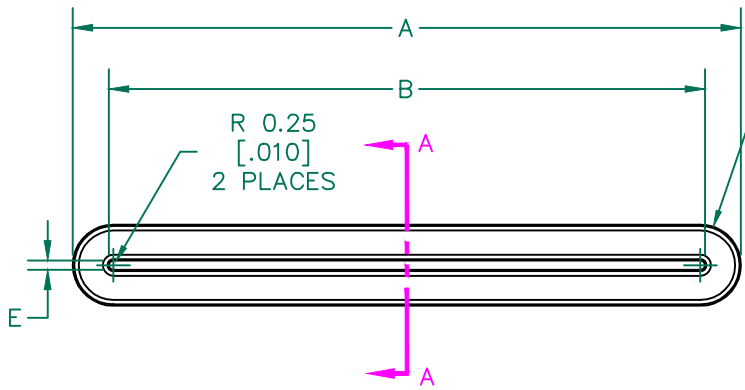
Contact us

Tel: +86-755-8981 8866 Fax: +86-755-8427 6832

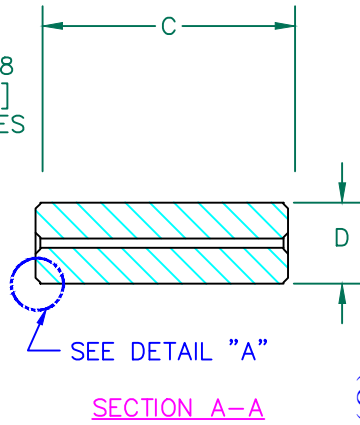
Email & Skype: info@chipsmall.com Web: www.chipsmall.com

Address: A1208, Overseas Decoration Building, #122 Zhenhua RD., Futian, Shenzhen, China

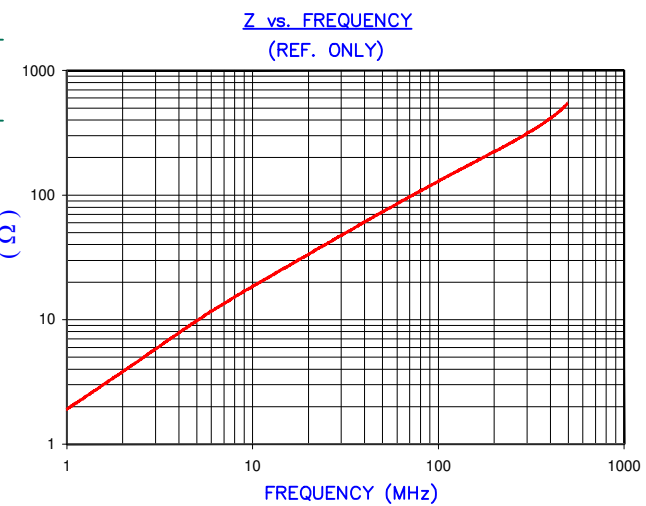




R 2.248
[.0885]
2 PLACES



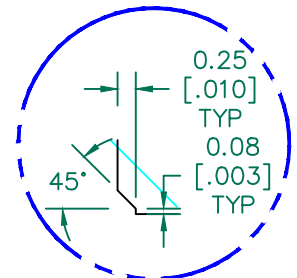
IMPEDANCE (Z)			
Frequency	25 MHz	100 MHz	300 MHz
Nominal (REF)	44 Ω	140 Ω	310 Ω
Minimum	- Ω	112 Ω	- Ω



FERRITE CORE DIMENSIONS (SPEC):mm[Inches]

A	37.01 [1.457]	+	0.64 [.025]
B	33.00 [1.299]	+	0.51 [.020]
C	13.46 [.530]	+	0.38 [.015]
D	4.50 [.177]	+	0.38 [.015]
		-	0.13 [.005]
E	0.51 [.020]	+	0.20 [.008]
		-	0.13 [.005]

WEIGHT/1000 9.96 kgs [21.97 Lbs]

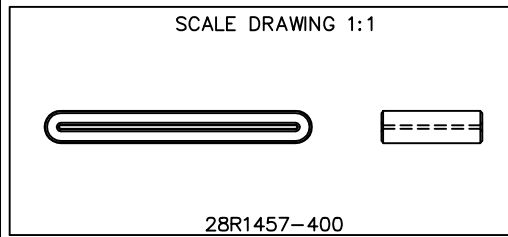


DETAIL A
SCALE: 10:1

UNCONTROLLED DOCUMENT

NOTES: UNLESS OTHERWISE SPECIFIED

1. COSMETIC SPECIFICATION REFER TO WI-QA-038.



DIMENSIONS ARE IN mm[INCHES].			
G	UPDATE COMPANY LOGO	06/19/15	QIU
F	UPDATE MIN Z SPECS & COMPANY LOGO	07/27/07	TMB
E	UPDATE FORMAT AND Z SPECS	02/09/04	JRK
D	CHG CHAMFER ANGLE FROM 30 TO 45 UPDATE FORMAT AND Z SPECS	02/26/03	JRK
C	UPDATE TO CNZ FORMAT UPDATE Z SPECS ADD Z CURVE, CHG C TOLS	09/11/02	JRK
B	UPDATE PRINT FOR ELECTRONIC DATABASE	09/27/95	JBE
A	ORIGINAL DRAFT	10/19/94	JBE
REV	DESCRIPTION	DATE	INT

This print is the property of Laird Tech. and is loaned in confidence subject to return upon request and with the understanding that no copies shall be made without the written consent of Laird Tech. All rights to design or invention are reserved.



PROJECT/PART NUMBER: 28R1457-400		REV G	DRAWN BY: JBE
DATE: 10/19/94	SCALE: 2.5 : 1	MATERIAL: FERRITE	
CAD # 28R1457-400-G	TOOL # R1457		