



Chipsmall Limited consists of a professional team with an average of over 10 year of expertise in the distribution of electronic components. Based in Hongkong, we have already established firm and mutual-benefit business relationships with customers from,Europe,America and south Asia,supplying obsolete and hard-to-find components to meet their specific needs.

With the principle of "Quality Parts,Customers Priority,Honest Operation,and Considerate Service",our business mainly focus on the distribution of electronic components. Line cards we deal with include Microchip,ALPS,ROHM,Xilinx,Pulse,ON,Everlight and Freescale. Main products comprise IC,Modules,Potentiometer,IC Socket,Relay,Connector.Our parts cover such applications as commercial,industrial, and automotives areas.

We are looking forward to setting up business relationship with you and hope to provide you with the best service and solution. Let us make a better world for our industry!



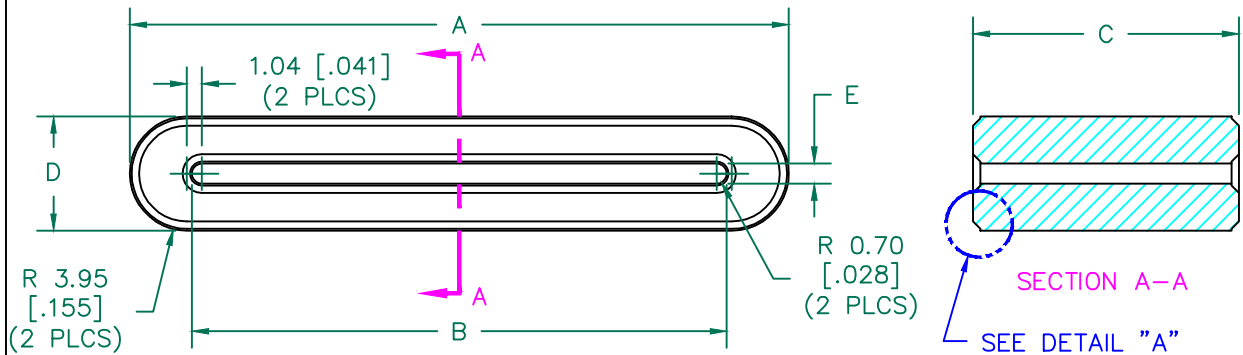
Contact us

Tel: +86-755-8981 8866 Fax: +86-755-8427 6832

Email & Skype: info@chipsmall.com Web: www.chipsmall.com

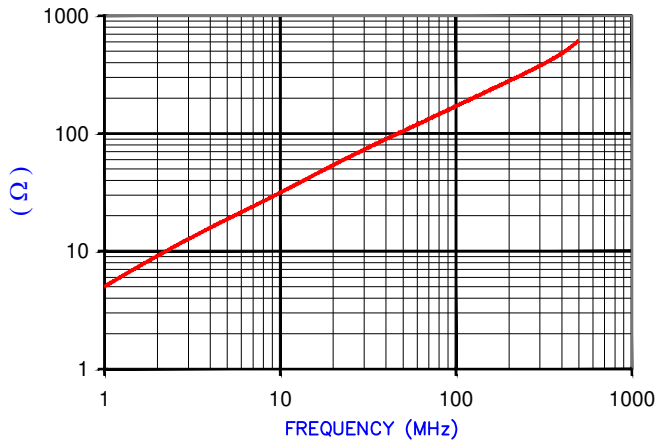
Address: A1208, Overseas Decoration Building, #122 Zhenhua RD., Futian, Shenzhen, China





| IMPEDANCE (Z) | | | |
|-----------------|--------|---------|---------|
| Frequency | 25 MHz | 100 MHz | 300 MHz |
| Nominal (REF) | 57 Ω | 172 Ω | 388 Ω |
| Minimum | - Ω | 138 Ω | - Ω |

Z vs. FREQUENCY
(REF. ONLY)



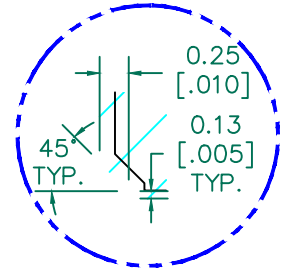
AGILENT E4991A Impedance/Material Analyzer
HP 16092A-Test Fixture TEST REF. 3097

FERRITE CORE DIMENSIONS (SPEC): mm [in]

| | | | |
|---|---------------|-------|-------------|
| A | 45.60 [1.795] | + / - | 0.70 [.028] |
| B | 37.00 [1.457] | + / - | 0.70 [.028] |
| C | 18.40 [.724] | + / - | 0.60 [.024] |
| D | 7.90 [.311] | + / - | 0.60 [.024] |
| E | 1.40 [.055] | + / - | 0.51 [.020] |

WEIGHT/1000 26.56 kgs [58.56 Lbs]

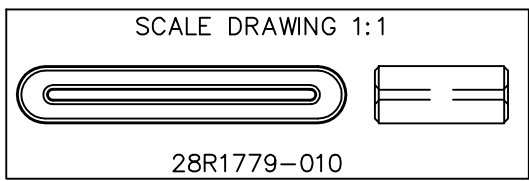
UNCONTROLLED DOCUMENT



DETAIL "A"
CHAMFER
SCALE=8:1

NOTES:

- ACCEPTABLE CHIP SIZE IN SLOT SURFACE: 2.03 [.080] DIA, 0.51 [.020] DEEP MAX. NUMBER OF CHIPS IN SLOT SURFACE: 4. ACCEPTABLE CHIP SIZE ON OTHER SURFACES: 4.06 [.160] DIA. 0.51 [.020] DEEP CRACKS: NONE ALLOWED
- COSMETIC SPECIFICATION REFER TO WI-QA-038.



| DIMENSIONS ARE IN mm [INCHES]. | | | | This print is the property of Laird Tech. and is loaned in confidence subject to return upon request and with the understanding that no copies shall be made without the written consent of Laird Tech. All rights to design or invention are reserved. | |
|--------------------------------|-----------------------------------|----------|------|---|---------------------|
| K | UPDATE THE LOGO | 06/19/15 | QIU | PROJECT/PART NUMBER: | 28R1799-010 |
| J | UPDATE TEMPLATE AND NOTES | 08/01/12 | Jcai | REV | K |
| H | UPDATE MIN Z SPECS & COMPANY LOGO | 07/27/07 | TMB | PART TYPE: | FERRITE RIBBON CORE |
| G | UPDATE Z SPECS & ADD TEST REF# | 08/19/05 | TMB | DRAWN BY: | BAC |
| REV | DESCRIPTION | DATE | INT | DATE: | 08/19/96 |
| | | | | CAD # | 28R1799-010-K |
| | | | | SCALE: | 2 : 1 |
| | | | | TOOL # | R1799 |
| | | | | MATERIAL: | Ferrite |