



Chipsmall Limited consists of a professional team with an average of over 10 year of expertise in the distribution of electronic components. Based in Hongkong, we have already established firm and mutual-benefit business relationships with customers from,Europe,America and south Asia,supplying obsolete and hard-to-find components to meet their specific needs.

With the principle of “Quality Parts,Customers Priority,Honest Operation,and Considerate Service”,our business mainly focus on the distribution of electronic components. Line cards we deal with include Microchip,ALPS,ROHM,Xilinx,Pulse,ON,Everlight and Freescale. Main products comprise IC,Modules,Potentiometer,IC Socket,Relay,Connector.Our parts cover such applications as commercial,industrial, and automotives areas.

We are looking forward to setting up business relationship with you and hope to provide you with the best service and solution. Let us make a better world for our industry!



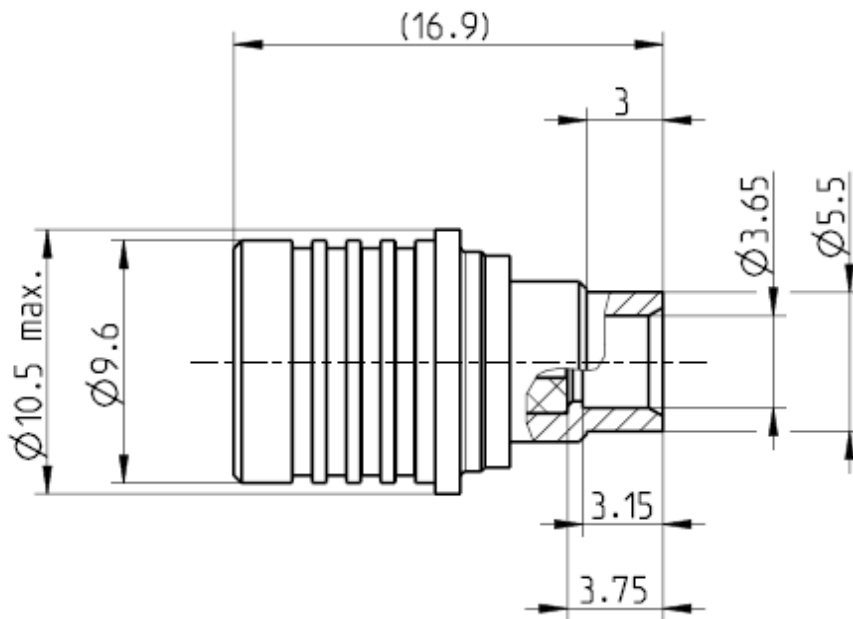
## Contact us

Tel: +86-755-8981 8866 Fax: +86-755-8427 6832

Email & Skype: info@chipsmall.com Web: www.chipsmall.com

Address: A1208, Overseas Decoration Building, #122 Zhenhua RD., Futian, Shenzhen, China





All dimensions are in mm; tolerances according to ISO 2768 m-H

**Interface**

According to

Rosenberger 28S000-000, series QMA

Rosenberger is an authorised QLF® manufacturer

**Documents**

Assembly instruction

28 A2

**Material and plating**

**Connector parts**

- Center contact
- Outer contact
- Body
- Dielectric
- Unlocking sleeve

**Material**

- Beryllium copper
- Spring bronze
- Brass
- PTFE
- Brass

**Plating**

- AuroDur, gold plated
- White bronze(e.g. Optalloy®)
- AuroDur, gold plated
- White bronze(e.g. Optalloy®)

**Electrical data**

Impedance	50 Ω
Frequency	DC to 18 GHz
Return loss	≥ 32 dB, DC to 3 GHz ≥ 25 dB, 3 to 6 GHz
Insertion loss	≤ 0.05 x √f(GHz) dB, DC to 6 GHz
Insulation resistance	≥ 5 x10 <sup>3</sup> MΩ
Center contact resistance	≤ 3 mΩ
Outer contact resistance	≤ 2.5 mΩ
Test voltage, at sea level, 50Hz	1000 V rms
Working voltage, at sea level, 50Hz	335 V rms
RF-leakage	≥ 95 dB up to 2 GHz ≥ 80 dB up to 4 GHz ≥ 70 dB up to 6 GHz
Intermodulation (3 <sup>rd</sup> order)	≤ -130 dBc @ 2 x 20 W

- Limitations are possible due to the used cable type -

**Mechanical data**

Mating cycles	min. 100
Center contact captivation: axial	≥ 20 N
Engagement force	typ. 25 N
Disengagement force	typ. 20 N
Retention force for interface	60 N min.

**Environmental data**

Temperature range	-40°C to +85°C
Storage temperature	-40°C to +85°C
Thermal shock	IEC 60169-1 16.4 (-40 / +85°C)
Corrosion	IEC 60169-1 16.7 (48 hrs)
Vibration	IEC 60068-2-64 random
Damp heat, steady state	IEC 60169-1 16.3 (96 hrs)
RoHS	compliant

**Tooling**

N/A

**Suitable cables**

UT 141, RG 402

**Weight**

Weight 4.6 g/pce

While the information has been carefully compiled to the best of our knowledge, nothing is intended as representation or warranty on our part and no statement herein shall be construed as recommendation to infringe existing patents. In the effort to improve our products, we reserve the right to make changes judged to be necessary.

Draft	Date	Approved	Date	Rev.	Engineering change number	Name	Date
Rong Fang	11/05/07	Sa. K.	13.03.14	h00	14-0352	T. Krojer	13.03.14
Rosenberger Hochfrequenztechnik GmbH & Co. KG P.O.Box 1260 D-84526 Tittmoning Germany <a href="http://www.rosenberger.de">www.rosenberger.de</a>				Tel.: +49 8684 18-0 Fax: +49 8684 18-499 email: <a href="mailto:info@rosenberger.de">info@rosenberger.de</a>			Page 2 / 2