



Chipsmall Limited consists of a professional team with an average of over 10 year of expertise in the distribution of electronic components. Based in Hongkong, we have already established firm and mutual-benefit business relationships with customers from,Europe,America and south Asia,supplying obsolete and hard-to-find components to meet their specific needs.

With the principle of “Quality Parts,Customers Priority,Honest Operation,and Considerate Service”,our business mainly focus on the distribution of electronic components. Line cards we deal with include Microchip,ALPS,ROHM,Xilinx,Pulse,ON,Everlight and Freescale. Main products comprise IC,Modules,Potentiometer,IC Socket,Relay,Connector.Our parts cover such applications as commercial,industrial, and automotives areas.

We are looking forward to setting up business relationship with you and hope to provide you with the best service and solution. Let us make a better world for our industry!



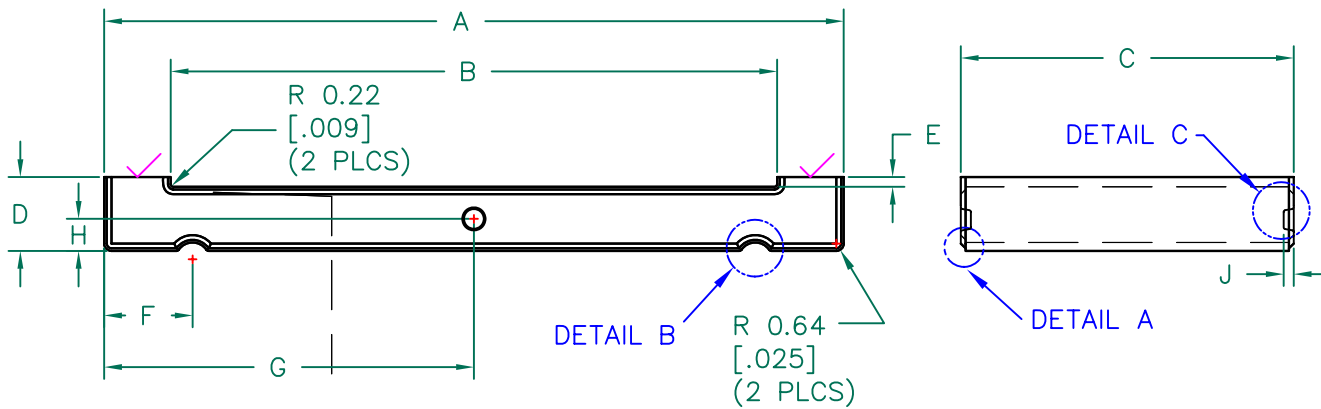
## Contact us

Tel: +86-755-8981 8866 Fax: +86-755-8427 6832

Email & Skype: info@chipsmall.com Web: www.chipsmall.com

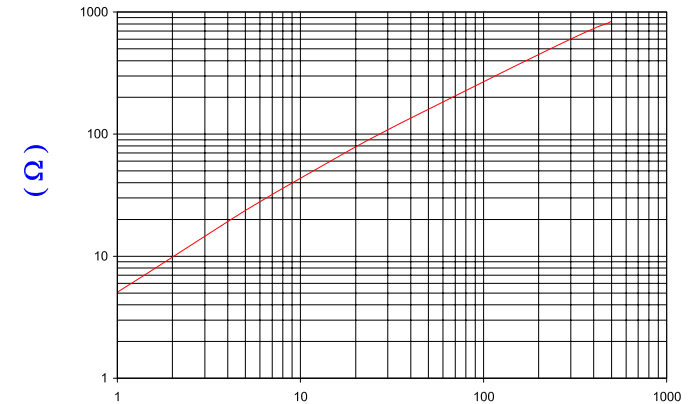
Address: A1208, Overseas Decoration Building, #122 Zhenhua RD., Futian, Shenzhen, China



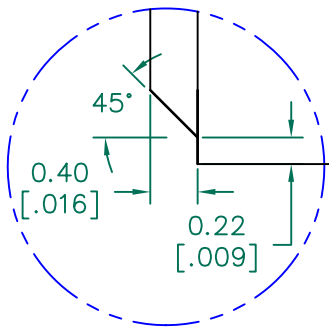


IMPEDANCE ( Z )			
Frequency	25 MHz	100 MHz	300 MHz
Nominal (REF)	100 Ω	280 Ω	590 Ω
Minimum	- Ω	224 Ω	- Ω

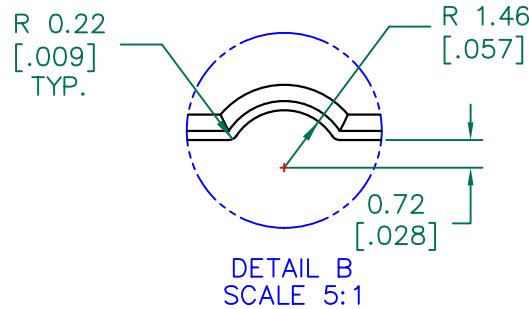
Z vs. FREQUENCY  
(REF. ONLY)



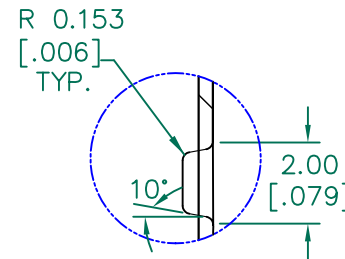
FREQUENCY (MHz)  
AGILENT E4991A Impedance/Material Analyzer  
HP 16092A-Test Fixture



DETAIL A  
SCALE 13:1



DETAIL B  
SCALE 5:1



DETAIL C  
SCALE 4.5:1

FERRITE CORE DIMENSIONS (SPEC): mm [in.]

A	63.50 [2.500]	±	1.27 [.050]
B	52.07 [2.050]	±	1.02 [.040]
C	28.58 [1.125]	±	0.64 [.025]
D	6.35 [.250]	±	0.25 [.010]
E	0.84 [.033]	±	0.25 [.010]
F	7.62 [.300]	±	0.18 [.007]
G	31.75 [1.250]	±	0.76 [.030]
H	2.74 [.108]	±	0.25 [.010]
J	0.86 [.034]	±	0.25 [.010]

WEIGHT/1000 50.13 kgs 110.53 Lbs

**UNCONTROLLED  
DOCUMENT**

DIMENSIONS ARE IN mm[INCHES].				This print is the property of Laird Tech. and is loaned in confidence subject to return upon request and with the understanding that no copies shall be made without the written consent of Laird Tech. All rights to design or invention are reserved.			Laird TECHNOLOGIES	
J	CHANGE DETAIL C	07/09/10	JUN	PROJECT/PART NUMBER: <b>28S2001-000</b>	REV	J	PART TYPE: FERRITE SPLIT RIBBON	DRAWN BY: LNK
H	UPDATE LOGO CHANGE DIMPLE DESIGN UPDATE C DETAILS	10/16/08	JRK		DATE:	03/30/96	SCALE:	1.5 : 1
G	UPDATE PRINT FORMAT & Z SPECS ADD CURVE	07/09/03	JRK		CAD #	28S2001-000-J	TOOL #	S2001
F	UPDATE PRINT FOR ELECTRONIC DATABASE CHG. RAD ".120" TO DIA. ".120" CORR. Z MIN @100 FROM 193 TO 189	10/30/00	JAJ		MATERIAL: <b>Ferrite</b>			
E	"E" TOLERANCE WAS ".007(0.18)"	01/30/97	BAC					
D	ADD .120 φ INDENTION, UPDATED Z SPEC & ADD DIMS "F", "G", "H", & "J".	12/18/96	BAC					
C	TOOL CHANGE TO FIT CASE	10/10/96	BAC					
REV	DESCRIPTION	DATE	INT					