



Chipsmall Limited consists of a professional team with an average of over 10 year of expertise in the distribution of electronic components. Based in Hongkong, we have already established firm and mutual-benefit business relationships with customers from,Europe,America and south Asia,supplying obsolete and hard-to-find components to meet their specific needs.

With the principle of “Quality Parts,Customers Priority,Honest Operation,and Considerate Service”,our business mainly focus on the distribution of electronic components. Line cards we deal with include Microchip,ALPS,ROHM,Xilinx,Pulse,ON,Everlight and Freescale. Main products comprise IC,Modules,Potentiometer,IC Socket,Relay,Connector.Our parts cover such applications as commercial,industrial, and automotives areas.

We are looking forward to setting up business relationship with you and hope to provide you with the best service and solution. Let us make a better world for our industry!



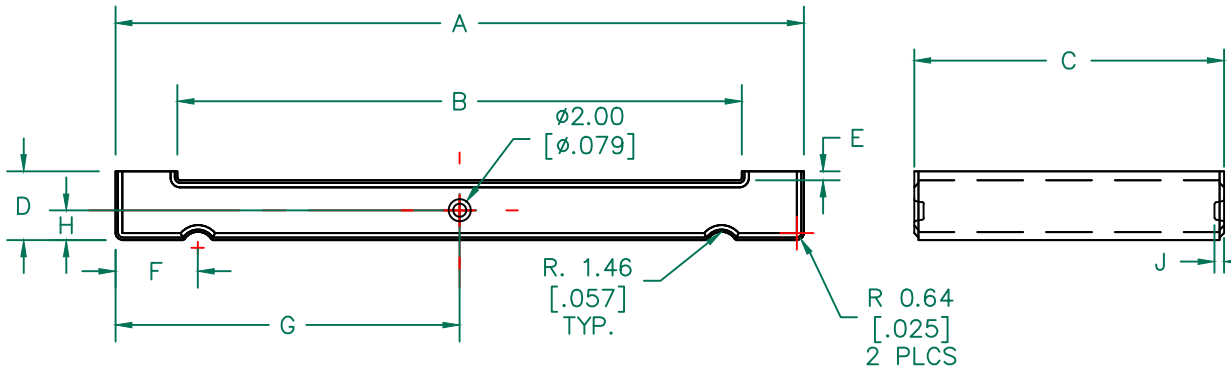
## Contact us

Tel: +86-755-8981 8866 Fax: +86-755-8427 6832

Email & Skype: info@chipsmall.com Web: www.chipsmall.com

Address: A1208, Overseas Decoration Building, #122 Zhenhua RD., Futian, Shenzhen, China



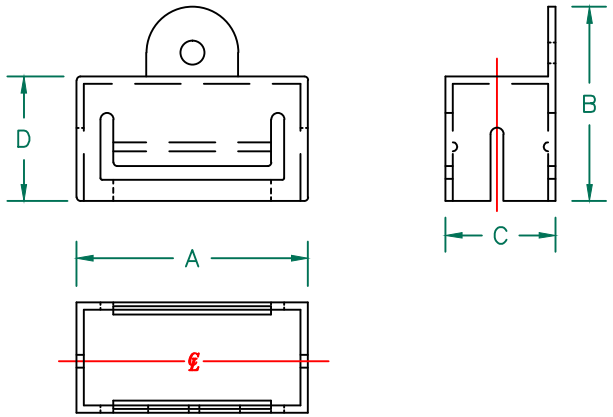
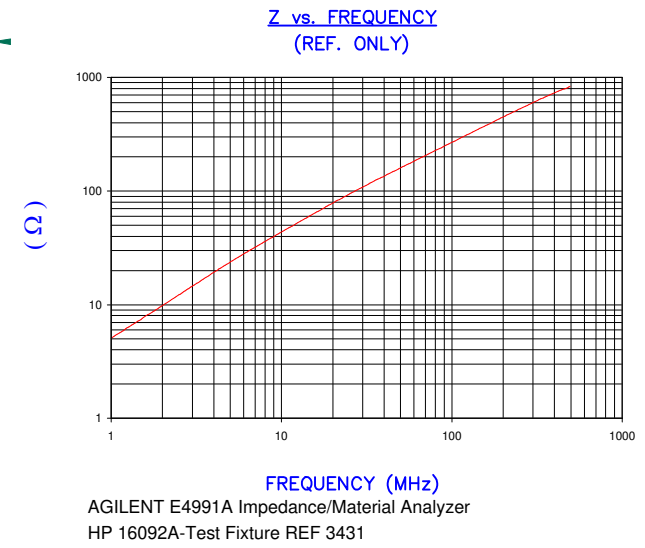


IMPEDANCE ( Z )			
Frequency	25 MHz	100 MHz	300 MHz
Nominal (REF)	100 Ω	280 Ω	590 Ω
Minimum	- Ω	224 Ω	- Ω

**BARE DIMENSIONS:**

A	63.50 [2.500]	+ 1.27 [.050]	F	7.62 [.300]	+ 0.18 [.007]
B	52.07 [2.050]	+ 1.02 [.040]	G	31.75 [1.250]	+ 0.76 [.030]
C	28.58 [1.125]	+ 0.64 [.025]	H	2.74 [.108]	+ 0.25 [.010]
D	6.35 [.250]	+ 0.25 [.010]	J	0.86 [.034]	+ 0.25 [.010]
E	0.84 [.033]	+ 0.25 [.010]			

WEIGHT/1000 50.13 kgs 110.53 Lbs



PLASTIC CLIP (S2001-0P0)

**CLIP DIMENSIONS:**

A	31.50 [1.240]	+ 0.30 [.012]
B	26.62 [1.048]	+ 0.25 [.010]
C	15.44 [.608]	+ 0.15 [.006]
D	16.94 [.667]	+ 0.18 [.007]

**UNCONTROLLED DOCUMENT**



**NOTES:**

1. ADD ONE PLASTIC CLIP FOR SHIPPING.
2. PLASTIC CLIP SPECIFICATION: 21137
3. PART WEIGHT IS FOR ONE CORE..
4. USE FERRITE CORE STEWARD P/N 28S2001-000.
5. INCLUDES ONE CORE AND ONE CLIP.
6. COSMETIC SPECIFICATION REFER TO WI-QA-038.

DIMENSIONS ARE IN mm[INCHES].				This print is the property of Laird Tech. and is loaned in confidence subject to return upon request and with the understanding that no copies shall be made without the written consent of Laird Tech. All rights to design or invention are reserved.		Laird	
K	UPDATE THE LOGO AND NOTE 6	07/01/15	QIU	PROJECT/PART NUMBER:	REV	PART TYPE:	DRAWN BY:
H	CHANGE HOLE	07/09/10	JUN	28S2001-0P0	J	FERRITE SPLIT RIBBON	IS
G	UPDATE COMPANY LOGO REVISE DIMPLE DESIGN CHANGE DIA. OF DIMPLE	10/16/08	JRK	DATE:	SCALE:	MATERIAL:	
F	REVISE NOTES ADD TEST REF # REM ISO VIEW	08/11/05	JRK	02/02/98	1.5 : 1	Ferrite	
E	REVISE TOLS B, C, & D, CHG NOTE 2 AND PLASTIC CLIP P/N	07/09/03	JRK	CAD #	TOOL #		
REV	DESCRIPTION	DATE	INT	28S2001-0P0-J	S2001		