



Chipsmall Limited consists of a professional team with an average of over 10 year of expertise in the distribution of electronic components. Based in Hongkong, we have already established firm and mutual-benefit business relationships with customers from,Europe,America and south Asia,supplying obsolete and hard-to-find components to meet their specific needs.

With the principle of “Quality Parts,Customers Priority,Honest Operation,and Considerate Service”,our business mainly focus on the distribution of electronic components. Line cards we deal with include Microchip,ALPS,ROHM,Xilinx,Pulse,ON,Everlight and Freescale. Main products comprise IC,Modules,Potentiometer,IC Socket,Relay,Connector.Our parts cover such applications as commercial,industrial, and automotives areas.

We are looking forward to setting up business relationship with you and hope to provide you with the best service and solution. Let us make a better world for our industry!



Contact us

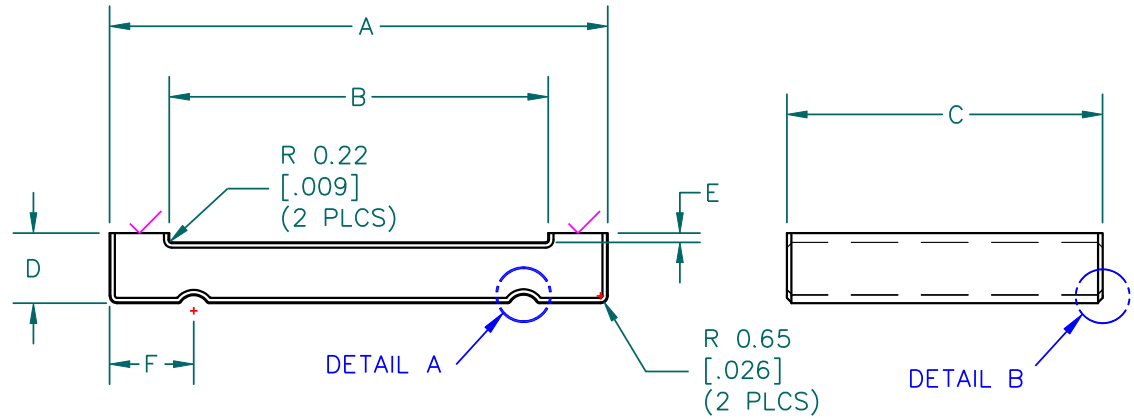
Tel: +86-755-8981 8866 Fax: +86-755-8427 6832

Email & Skype: info@chipsmall.com Web: www.chipsmall.com

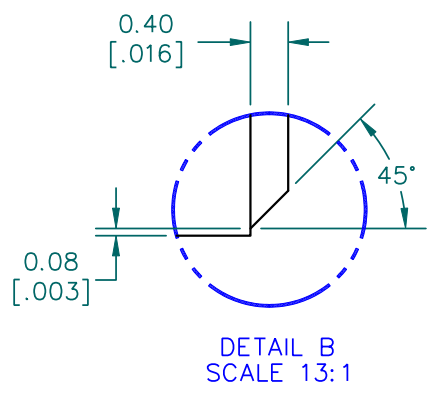
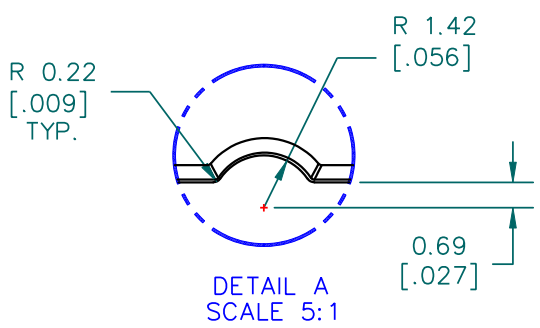
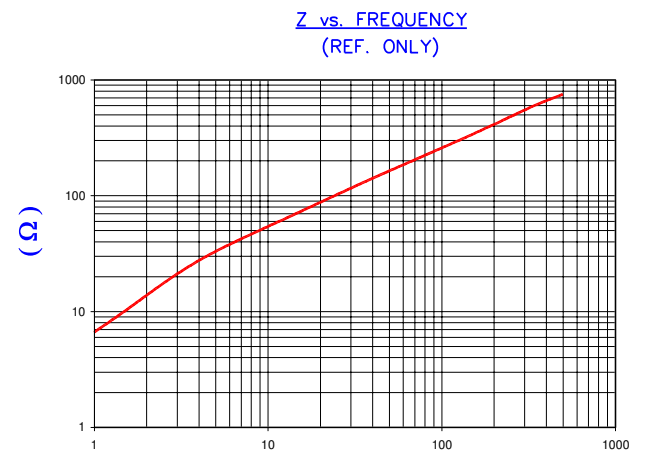
Address: A1208, Overseas Decoration Building, #122 Zhenhua RD., Futian, Shenzhen, China



UNCONTROLLED DOCUMENT



IMPEDANCE (Z)			
Frequency	25 MHz	100 MHz	300 MHz
Nominal (REF)	100 Ω	250 Ω	550 Ω
Minimum	- Ω	200 Ω	- Ω



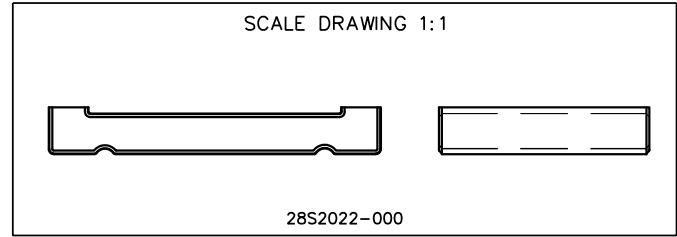
FREQUENCY (MHz)

AGILENT E4991A Impedance/Material Analyzer
HP 16092A-Test Fixture

FERRITE CORE DIMENSIONS (SPEC): mm [in]

A	45.09 [1.775]	+	0.90 [.035]
B	34.42 [1.355]	+	0.64 [.025]
C	28.58 [1.125]	+	0.64 [.025]
D	6.35 [.250]	+	0.25 [.010]
E	0.84 [.033]	+	0.25 [.010]
F	7.62 [.300]	+	-

WEIGHT/1000 35.92 kgs. 79.18 Lbs.



DIMENSIONS ARE IN mm[INCHES].				THIS DOCUMENT CONTAINS INFORMATION WHICH IS PROPRIETARY AND CONFIDENTIAL TO STEWARD. NO PRODUCTION OR PUBLICATION OF THIS DOCUMENT IN WHOLE OR IN PART SHALL BE MADE WITHOUT WRITTEN AUTHORIZATION FROM STEWARD.																							
G	CORRECT Z SPECS AT 25 MHZ	08/13/03	JRK	Steward																							
F	UPDATE FORMAT & Z SPECS ADD CURVE	07/07/03	JRK																								
E	UPDATE PRINT FOR ELECTRONIC DATABASE	11/06/00	JAJ	<table border="1" style="width: 100%; border-collapse: collapse;"> <tr> <td colspan="2" style="text-align: center;">PROJECT/PART NUMBER:</td> <td style="text-align: center;">REV</td> <td style="text-align: center;">PART TYPE:</td> <td style="text-align: center;">DRAWN BY:</td> </tr> <tr> <td colspan="2" style="text-align: center; font-size: 1.2em;">28S2022-000</td> <td style="text-align: center; font-size: 1.2em;">G</td> <td style="text-align: center; font-size: 0.8em;">CNZ SPLIT FERRITE CORE</td> <td style="text-align: center; font-size: 0.8em;">JBE</td> </tr> <tr> <td style="text-align: center;">DATE:</td> <td style="text-align: center;">12/15/94</td> <td style="text-align: center;">SCALE:</td> <td style="text-align: center;">1.5 : 1</td> <td style="text-align: center;">SHEET:</td> </tr> <tr> <td style="text-align: center;">CAD #</td> <td style="text-align: center;">28S2022-000-G</td> <td style="text-align: center;">TOOL #</td> <td style="text-align: center;">S2022</td> <td style="text-align: center;">STEWARD 28</td> </tr> </table>				PROJECT/PART NUMBER:		REV	PART TYPE:	DRAWN BY:	28S2022-000		G	CNZ SPLIT FERRITE CORE	JBE	DATE:	12/15/94	SCALE:	1.5 : 1	SHEET:	CAD #	28S2022-000-G	TOOL #	S2022	STEWARD 28
PROJECT/PART NUMBER:		REV	PART TYPE:					DRAWN BY:																			
28S2022-000		G	CNZ SPLIT FERRITE CORE					JBE																			
DATE:	12/15/94	SCALE:	1.5 : 1					SHEET:																			
CAD #	28S2022-000-G	TOOL #	S2022					STEWARD 28																			
D	UPDATED P/N FOR NEW CATALOG	09/27/95	JBE																								
C	UPDATED IMPEDANCE SPECS	05/22/95	JBE																								
B	STANDARD FORMAT	12/01/95	JBE																								
A	ORIGINAL DRAFT	12/15/94	JBE																								
REV	DESCRIPTION	DATE	INT																								