



Chipsmall Limited consists of a professional team with an average of over 10 year of expertise in the distribution of electronic components. Based in Hongkong, we have already established firm and mutual-benefit business relationships with customers from,Europe,America and south Asia,supplying obsolete and hard-to-find components to meet their specific needs.

With the principle of “Quality Parts,Customers Priority,Honest Operation,and Considerate Service”,our business mainly focus on the distribution of electronic components. Line cards we deal with include Microchip,ALPS,ROHM,Xilinx,Pulse,ON,Everlight and Freescale. Main products comprise IC,Modules,Potentiometer,IC Socket,Relay,Connector.Our parts cover such applications as commercial,industrial, and automotives areas.

We are looking forward to setting up business relationship with you and hope to provide you with the best service and solution. Let us make a better world for our industry!



## Contact us

Tel: +86-755-8981 8866 Fax: +86-755-8427 6832

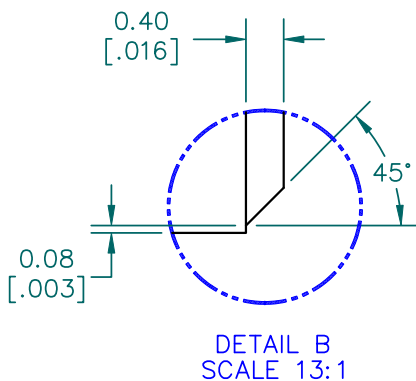
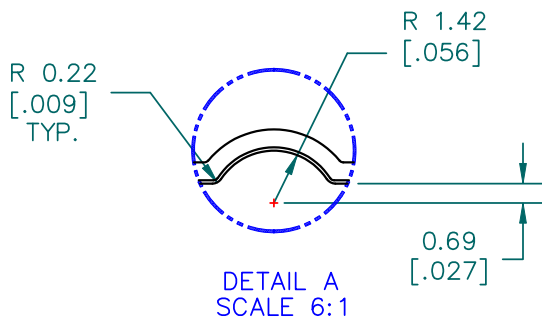
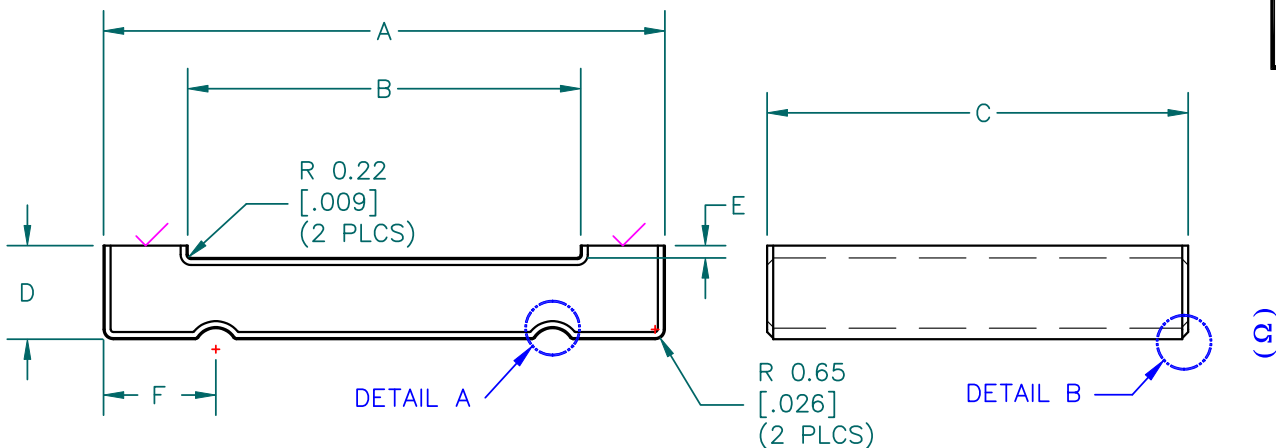
Email & Skype: info@chipsmall.com Web: www.chipsmall.com

Address: A1208, Overseas Decoration Building, #122 Zhenhua RD., Futian, Shenzhen, China

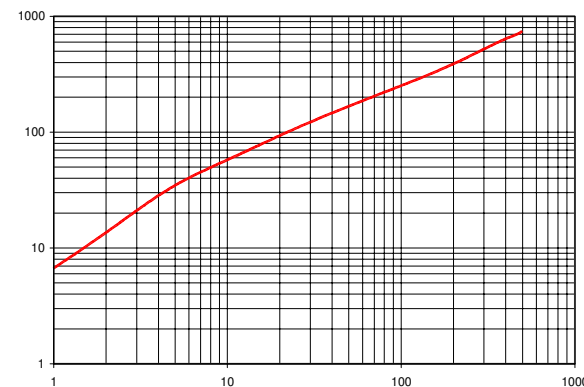


**UNCONTROLLED DOCUMENT**

IMPEDANCE ( Z )			
Frequency	25 MHz	100 MHz	300 MHz
Nominal (REF)	115 Ω	250 Ω	520 Ω
Minimum	- Ω	200 Ω	- Ω



Z vs. FREQUENCY  
(REF. ONLY)

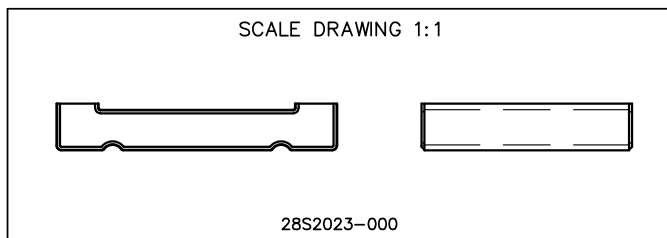


FREQUENCY (MHz)  
AGILENT E4991A Impedance/Material Analyzer  
HP 16092A-Test Fixture

FERRITE CORE DIMENSIONS (SPEC): mm [in]

A	38.10 [1.500]	+ 0.76 [0.030]
B	26.67 [1.050]	+ 0.76 [0.030]
C	25.40 [1.000]	+ 0.51 [0.020]
D	6.35 [.250]	+ 0.25 [.010]
E	0.84 [.033]	+ 0.25 [.010]
F	7.62 [.300]	+ 0.25 [.010]

WEIGHT/1000 30.56 kgs. 67.38 Lbs.



DIMENSIONS ARE IN mm[INCHES].				THIS DOCUMENT CONTAINS INFORMATION WHICH IS PROPRIETARY AND CONFIDENTIAL TO STEWARD. NO PRODUCTION OR PUBLICATION OF THIS DOCUMENT IN WHOLE OR IN PART SHALL BE MADE WITHOUT WRITTEN AUTHORIZATION FROM STEWARD.			
G	UPDATE FORMAT & Z SPECS ADD CURVE CHANGE TOLS ON F DIMENSION	07/07/03	JRK	<h1 style="color: red; margin: 0;">Steward</h1>			
F	CORRECT DIM F	07/16/01	JRK				
E	UPDATE PRINT FOR ELECTRONIC DATABASE UPDATE Z SPECS & REMOVED NOTE "2"	11/09/00	JAJ	PROJECT/PART NUMBER:	REV	PART TYPE:	DRAWN BY:
D	ADDED GROSS ELECT. TEST & NOTES	04/03/97	BAC	28S2023-000	G	FERRITE SPLIT RIBBON	DJB
C	UPDATE P/N FOR NEW CATALOG	09/27/95	JBE	DATE:	SCALE:	MATERIAL:	
B	UPDATE	11/04/94	JBE	12/17/90	2 : 1	STEWARD 28	
A	ORIGINAL DRAFT	12/17/90	DJB	CAD #	TOOL #		
REV	DESCRIPTION	DATE	INT	28S2023-000-G		S2023	