



Chipsmall Limited consists of a professional team with an average of over 10 year of expertise in the distribution of electronic components. Based in Hongkong, we have already established firm and mutual-benefit business relationships with customers from,Europe,America and south Asia,supplying obsolete and hard-to-find components to meet their specific needs.

With the principle of “Quality Parts,Customers Priority,Honest Operation,and Considerate Service”,our business mainly focus on the distribution of electronic components. Line cards we deal with include Microchip,ALPS,ROHM,Xilinx,Pulse,ON,Everlight and Freescale. Main products comprise IC,Modules,Potentiometer,IC Socket,Relay,Connector.Our parts cover such applications as commercial,industrial, and automotives areas.

We are looking forward to setting up business relationship with you and hope to provide you with the best service and solution. Let us make a better world for our industry!



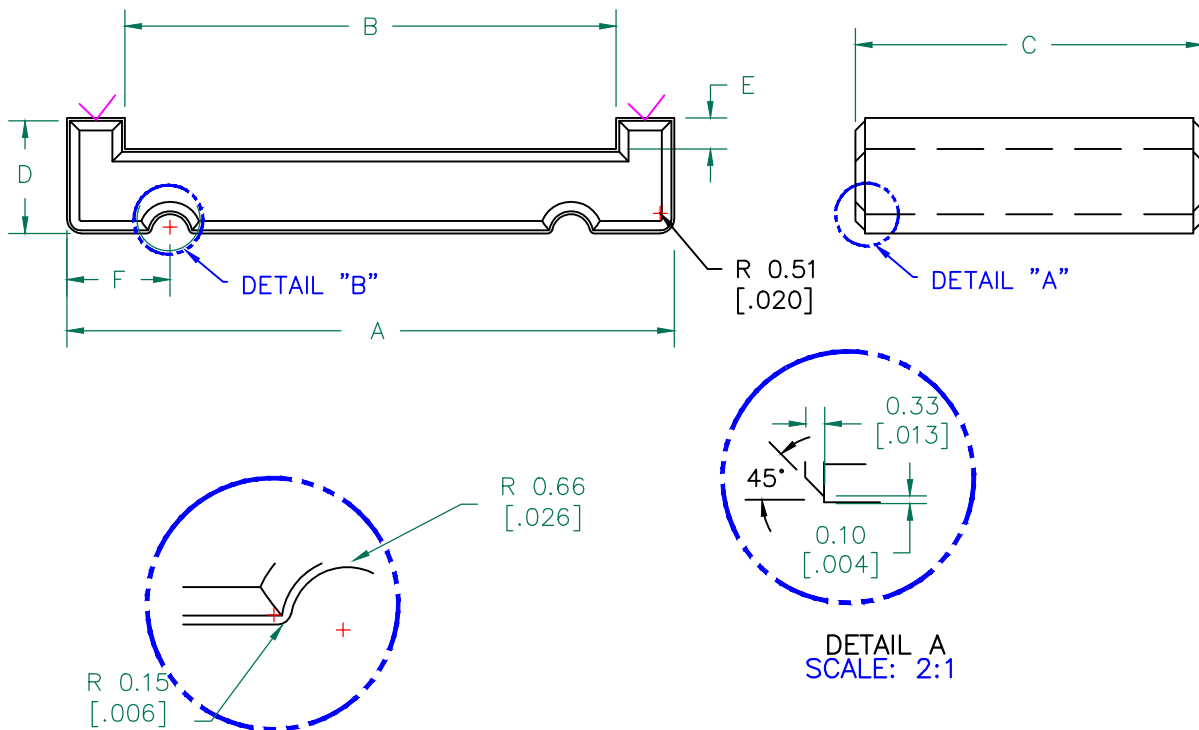
Contact us

Tel: +86-755-8981 8866 Fax: +86-755-8427 6832

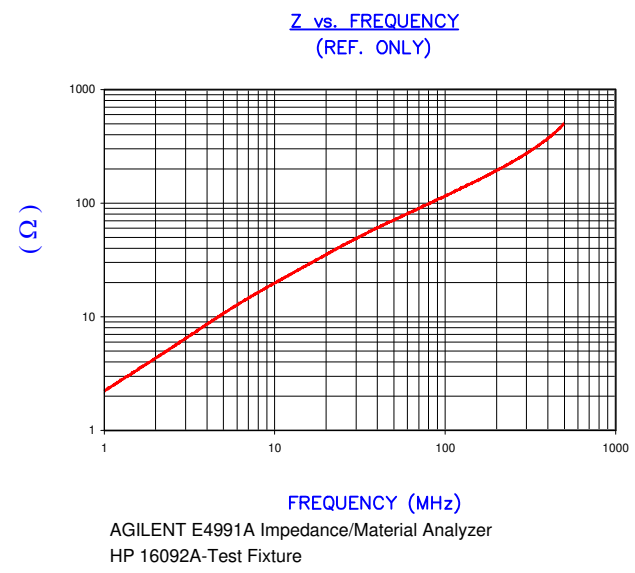
Email & Skype: info@chipsmall.com Web: www.chipsmall.com

Address: A1208, Overseas Decoration Building, #122 Zhenhua RD., Futian, Shenzhen, China





IMPEDANCE (Z)			
Frequency	25 MHz	100 MHz	300 MHz
Nominal (REF)	43 Ω	120 Ω	270 Ω
Minimum	- Ω	96 Ω	- Ω



DETAIL B
SCALE: 3:1

DETAIL A
SCALE: 2:1

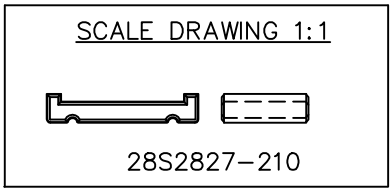
UNCONTROLLED DOCUMENT

FERRITE CORE DIMENSIONS (SPEC): mm [in]

A	21.00 [.827]	+	0.38 [.015]
B	17.00 [.669]	+	0.38 [.015]
C	12.01 [.473]	+	0.30 [.012]
D	3.99 [.157]	+	0.18 [.007]
E	0.94 [.037]	+	0.18 [.007]
F	3.57 [.141]	+	0.08 [.003]

WEIGHT/1000 3.77 kgs. 8.31 Lbs.

NOTES: UNLESS OTHERWISE SPECIFIED
1. COSMETIC SPECIFICATION REFER TO WI-QA-038.



DIMENSIONS ARE IN mm (INCHES).				This print is the property of Laird Tech. and is loaned in confidence subject to return upon request and with the understanding that no copies shall be made without the written consent of Laird Tech. All rights to design or invention are reserved.					
F	UPDATE COMPANY LOGO	07/01/15	QIU						
E	UPDATE FORMAT & Z SPECS, ADD CURVE, CHG D DIMENSION FROM .152	07/07/03	JRK	PROJECT/PART NUMBER: 28S2827-210		REV	F	PART TYPE: FERRITE SPLIT RIBBON	DRAWN BY: JBE
D	ADD NOTCHES & DETAIL B & RADIUS DIMS ADD GRIND SYMBOLS, REM NOTE 1, ADD KGS	10/04/02	JRK			DATE:	11/02/95	SCALE:	4 : 1
C	UPDATE PRINT FORMAT ADD CHAMFER DETAIL, REMOVE NOTE # 2	03/04/02	JRK	CAD #	28S2827-210-F	TOOL #	S2827		
B	CHG TOL & ADDED CUSTOMER REF	12/05/95	JBE	REV		SCALE	4 : 1		
A	ORIGINAL DRAFT	11/02/95	JBE	DATE		TOOL #	S2827		
REV	DESCRIPTION	DATE	INT						