



Chipsmall Limited consists of a professional team with an average of over 10 year of expertise in the distribution of electronic components. Based in Hongkong, we have already established firm and mutual-benefit business relationships with customers from,Europe,America and south Asia,supplying obsolete and hard-to-find components to meet their specific needs.

With the principle of "Quality Parts,Customers Priority,Honest Operation,and Considerate Service",our business mainly focus on the distribution of electronic components. Line cards we deal with include Microchip,ALPS,ROHM,Xilinx,Pulse,ON,Everlight and Freescale. Main products comprise IC,Modules,Potentiometer,IC Socket,Relay,Connector.Our parts cover such applications as commercial,industrial, and automotives areas.

We are looking forward to setting up business relationship with you and hope to provide you with the best service and solution. Let us make a better world for our industry!



Contact us

Tel: +86-755-8981 8866 Fax: +86-755-8427 6832

Email & Skype: info@chipsmall.com Web: www.chipsmall.com

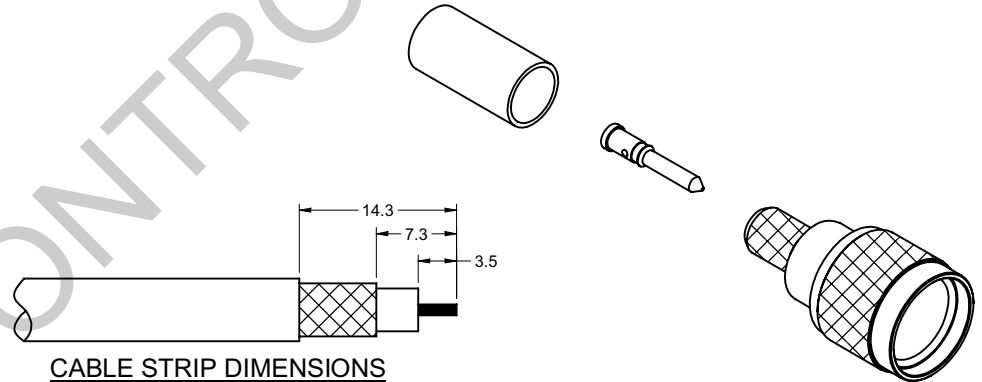
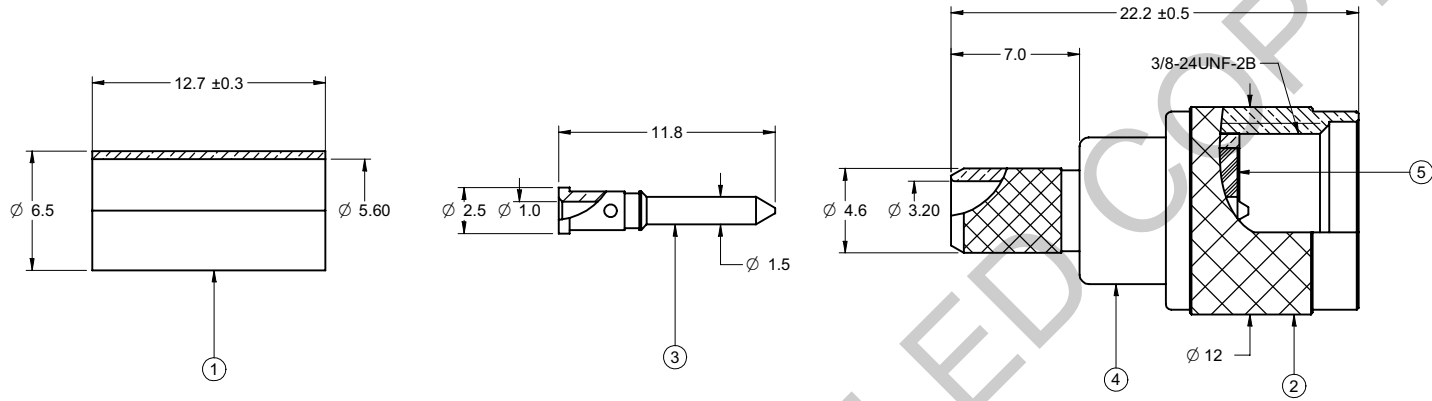
Address: A1208, Overseas Decoration Building, #122 Zhenhua RD., Futian, Shenzhen, China



PART NUMBER	ITEM ① SLEEVE	ITEM ② NUT	ITEM ③ CONTACT	ITEM ④ BODY	ITEM ⑤ INSULATOR
29-4010	BRASS NICKEL PLATED	BRASS NICKEL PLATED	BRASS GOLD PLATED	BRASS NICKEL PLATED	DELTRIN WHITE

受控 CONTROLLED DOCUMENT					
编号 P/N	29-4010	版本 Rev	0A	日期 Rel'd Date	Mar 24,08

DRAWING NO. 29-4010			
REVISIONS			
RELEASE FOR QUOTATION			
A	11-09-07	Z	W



CABLE STRIP DIMENSIONS
ASSEMBLY INSTRUCTIONS ON SHEET 2

NOTES:

- ELECTRICAL SPECIFICATIONS**
IMPEDANCE: NON-CONSTANT
FREQUENCY RANGE: 0-2 GHz
WORKING VOLTAGE: 500 Vrms MAX AT SEA LEVEL
DIELECTRIC WITHSTANDING VOLTAGE: 1500 vrms AT SEA LEVEL
INSULATION RESISTANCE: 5000 MEGOHMS MINIMUM
- MECHANICAL SPECIFICATIONS**
DURABILITY: 500 CYCLES MIN
CABLE ACCEPTABILITY: RG58
THE MATERIAL OF CRIMP SLEEVE SHALL HAVE A MAXIMUM HARDNESS OF 85 VICKERS.
CABLE RETENTION: 20 lbs MIN
- ENVIRONMENTAL SPECIFICATIONS**
RECOMMENDED TEMPERATURE RANGE: -55 °C TO +85 °C
- PRODUCT SHOULD BE RoHS COMPLIANCE.
- PACKAGING REQUIREMENT FOLLOWS ENGINEER DOCUMENT P/N 836-4020001XX

THIS DRAWING TO BE INTERPRETED
PER ANSI Y 14.5M - 1994

COMPANY CONFIDENTIAL



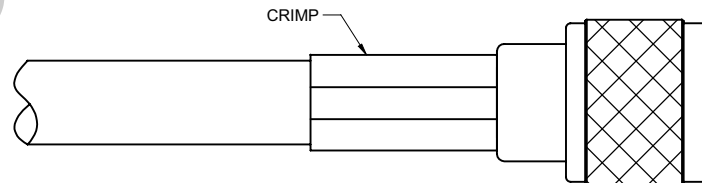
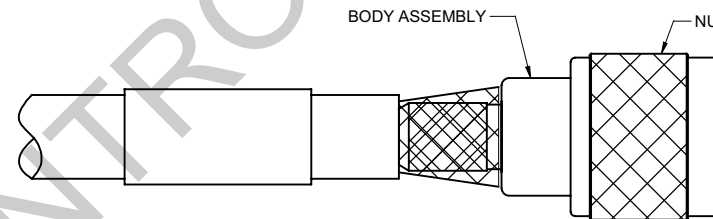
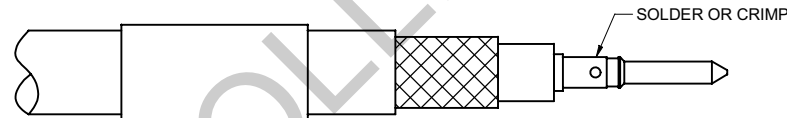
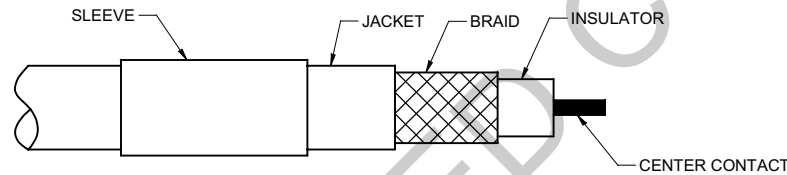
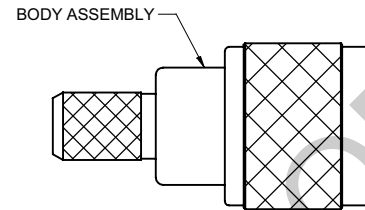
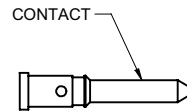
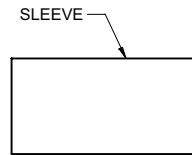
TOLERANCE UNLESS OTHERWISE SPECIFIED		DRAWN BY GARY.ZHG	DATE 11-09-07
DECIMALS	mm	CHECKED BY LINDA.WU	DATE 11-09-07
X	± 0.5	APPROVED BY	DATE
X.X	± 0.2		
X.XX	± 0.1		
ANGLES	± 0.5°	U/M	mm

TITLE MINI UHF 3 PC CRIMP *		
SHEET 1 OF 2	DRAWING NO. 29-4010	SIZE C

THIS DRAWING WAS PRODUCED BY COMPUTER,
DO NOT SCALE DRAWING OR UPDATE MANUALLY.

	5			4			3		2		1
PART NUMBER	CABLE TYPE	CONTACT I.D.	BODY I.D.	FERRULE I.D.	CRIMP (BRAID HEX)	CONTACT CRIMP HEX	RECOMMENDED CRIMP TOOL				
29-4010	RG-58	1.0	3.20	5.6	5.41 (.213")	1.70 (.067")	24-9958P				

DRAWING NO. 29-4010			
REVISIONS			
RELEASE FOR QUOTATION			
A	11-09-07	Z	W



ASSEMBLY INSTRUCTIONS

1. IDENTIFY CONNECTOR PARTS. (3 PIECE PARTS)
2. SLIDE HEAT SHRINK (AS APPLICABLE) AND CRIMP SLEEVE ONTO JACKET OF CABLE. STRIP CABLE TO DIMENSIONS SHOWN. DO NOT NICK BRAID OR CENTER CONDUCTOR. TIN CENTER CONDUCTOR IF CONTACT WILL BE SOLDER ATTACHED. DO NOT TIN CENTER CONDUCTOR IF CONTACT IS TO BE CRIMP ATTACHED. A WIRE STRIPPER OF CORRECT SIZE IS RECOMMENDED FOR THIS STEP.
3. ASSEMBLE CONTACT ONTO CABLE AS SHOWN.
SOLDER ATTACHMENT: SOLDER CONTACT TO CENTER CONDUCTOR THROUGH HOLE USING A MINIMUM AMOUNT OF SOLDER FOR A GOOD JOINT.
CRIMP ATTACHMENT (WHERE APPLICABLE): CRIMP CONTACT TO CENTER CONDUCTOR USING RECOMMENDED CRIMP TOOL.
4. SLIDE COUPLING NUT ONTO THE CONNECTOR BODY.
5. FLARE BRAID AND SLIDE BODY ASSEMBLY OVER CONTACT AND UNDER BRAID AS SHOWN. THEN SEAT BODY ASSEMBLY FIRMLY ONTO CONTACT UNTIL A GENTLE SNAP IS FELT INDICATING THE CONTACT IS IN PLACE. THE CABLE MAY HAVE TO BE HELD IN A CLAMPING FIXTURE. ARRANGE BRAID UNIFORMLY AROUND CRIMP STEM. SLIDE CRIMP SLEEVE FORWARD AND CRIMP USING RECOMMENDED CRIMP TOOL. SLIDE HEAT SHRINK FORWARD AND SHRINK (AS APPLICABLE).

THIS DRAWING TO BE INTERPRETED PER ANSI Y 14.5M - 1994

COMPANY CONFIDENTIAL



TITLE
MINI UHF 3 PC CRIMP *

TOLERANCE UNLESS OTHERWISE SPECIFIED		DRAWN BY GARY.ZHG	DATE 11-09-07
DECIMALS	mm	CHECKED BY LINDA.WU	DATE 11-09-07
X	± 0.5	APPROVED BY	DATE
X.X	± 0.2		
X.XX	± 0.1		
ANGLES	± 0.5°	U/M	mm

THIS DRAWING WAS PRODUCED BY COMPUTER, DO NOT SCALE DRAWING OR UPDATE MANUALLY.

SHEET 2 OF 2	DRAWING NO. 29-4010	SIZE C
-----------------	------------------------	-----------

受控 CONTROLLED DOCUMENT			
编号 P/N	29-4010	版本 Rev	0A
日期 Rel'd Date	Mar 24,08		