



Chipsmall Limited consists of a professional team with an average of over 10 year of expertise in the distribution of electronic components. Based in Hongkong, we have already established firm and mutual-benefit business relationships with customers from,Europe,America and south Asia,supplying obsolete and hard-to-find components to meet their specific needs.

With the principle of “Quality Parts,Customers Priority,Honest Operation,and Considerate Service”,our business mainly focus on the distribution of electronic components. Line cards we deal with include Microchip,ALPS,ROHM,Xilinx,Pulse,ON,Everlight and Freescale. Main products comprise IC,Modules,Potentiometer,IC Socket,Relay,Connector.Our parts cover such applications as commercial,industrial, and automotives areas.

We are looking forward to setting up business relationship with you and hope to provide you with the best service and solution. Let us make a better world for our industry!



## Contact us

Tel: +86-755-8981 8866 Fax: +86-755-8427 6832

Email & Skype: info@chipsmall.com Web: www.chipsmall.com

Address: A1208, Overseas Decoration Building, #122 Zhenhua RD., Futian, Shenzhen, China



## Relay socket - PLC-BPT-120UC/21/SO46 - 2900453

Please be informed that the data shown in this PDF Document is generated from our Online Catalog. Please find the complete data in the user's documentation. Our General Terms of Use for Downloads are valid (<http://phoenixcontact.com/download>)



6.2 mm PLC basic terminal block with interference current and interference voltage protection on the control side, with push-in connection, without relay or solid-state relay, for mounting on DIN rail NS 35/7,5, with integrated RCZ filter, 1 PDT, input voltage 120 V AC

The figure shows a version with a screw connection

### Product Features

- High relay release voltage
- Resistant to interference currents
- 



### Key commercial data

Packing unit	1 pc
Custom tariff number	85369010
Country of origin	Germany

### Technical data

#### Note

Utilization restriction	EMC: class A product, see manufacturer's declaration in the download area
-------------------------	---

#### Dimensions

Width	6.2 mm
Height	80 mm
Depth	94 mm

#### Ambient conditions

Ambient temperature (operation)	-25 °C ... 55 °C
Ambient temperature (storage/transport)	-40 °C ... 85 °C

## Relay socket - PLC-BPT-120UC/21/SO46 - 2900453

### Technical data

#### Input data

Nominal input voltage $U_N$	120 V AC/DC
Status display	LED
Protective circuit	Bridge rectifier Bridge rectifier
	RCZ filter RCZ filter

#### Output data

Compatible components	Miniature relay, REL-MR-60DC/21AU, REL-MR-60DC/21; miniature optocoupler, OPT-60DC/48DC/100, OPT-60DC/24DC/2, OPT-60DC/230AC/1
-----------------------	--

#### Connection data

Conductor cross section solid min.	0.14 mm <sup>2</sup>
Conductor cross section solid max.	2.5 mm <sup>2</sup>
Conductor cross section flexible min.	0.14 mm <sup>2</sup>
Conductor cross section flexible max.	2.5 mm <sup>2</sup>
Conductor cross section AWG/kcmil min.	26
Conductor cross section AWG/kcmil max	14
Connection method	Push-in connection
Stripping length	8 mm

#### General

Protective circuit	Bridge rectifier Bridge rectifier
	RCZ filter RCZ filter
Color	green
Operating mode	100% operating factor
Inflammability class according to UL 94	V0
Mounting position	any
Assembly instructions	In rows with zero spacing

### Classifications

#### eCl@ss

eCl@ss 4.0	27371001
eCl@ss 4.1	27371001
eCl@ss 5.0	27371603
eCl@ss 5.1	27371603
eCl@ss 6.0	27371603
eCl@ss 7.0	27371603
eCl@ss 8.0	27371603

# Relay socket - PLC-BPT-120UC/21/SO46 - 2900453

## Classifications

### ETIM

ETIM 4.0	EC001456
ETIM 5.0	EC001456

### UNSPSC

UNSPSC 6.01	30211917
UNSPSC 7.0901	39121516
UNSPSC 11	39121516
UNSPSC 12.01	39121516
UNSPSC 13.2	39121516

## Approvals

### Approvals

---

#### Approvals

UL Recognized / cUL Recognized / GL / EAC / cULus Recognized

---

#### Ex Approvals


---

#### Approvals submitted

---

### Approval details

UL Recognized 
---

cUL Recognized 
--

GL
----

EAC
-----

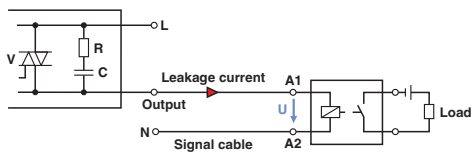
# Relay socket - PLC-BPT-120UC/21/SO46 - 2900453

## Approvals

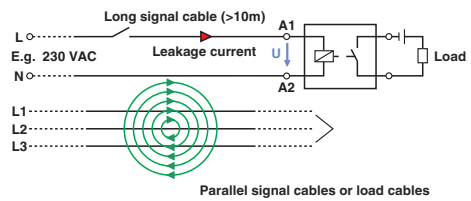


## Drawings

Application drawing



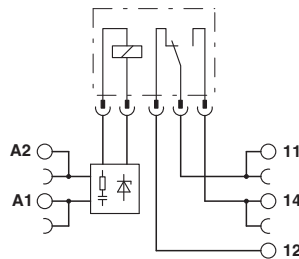
Application drawing



Occurrence of interference signals  
Scenario 1: controller - AC output card

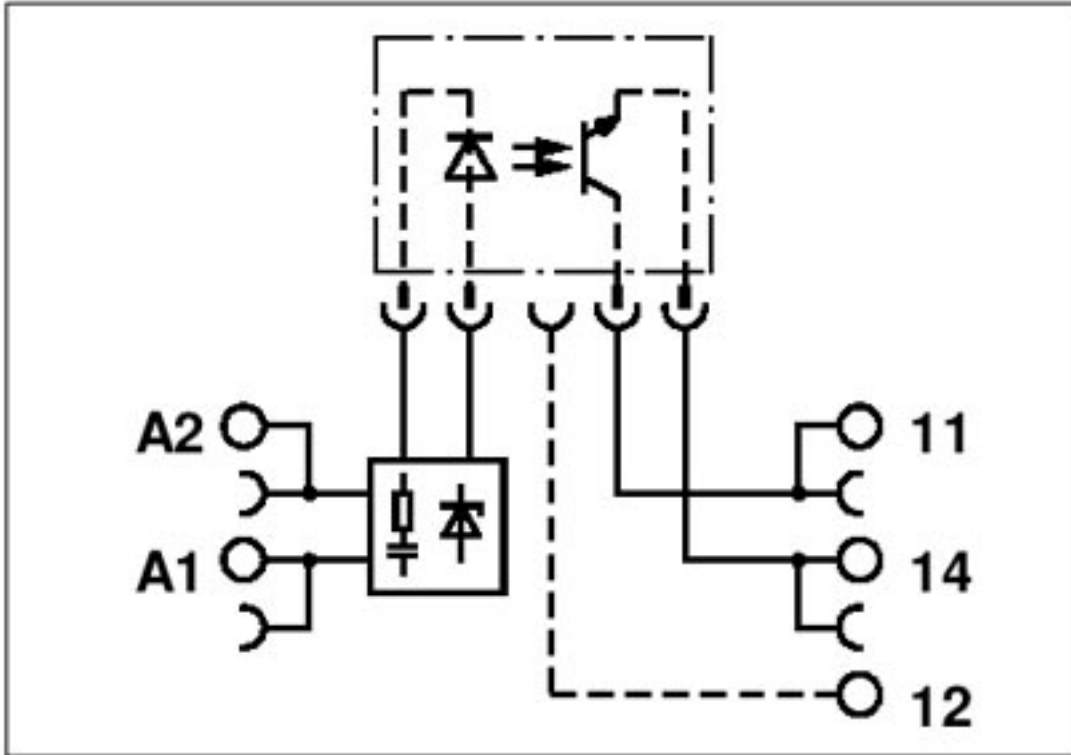
Occurrence of interference signals  
Scenario 2: long signal cables

Circuit diagram



# Relay socket - PLC-BPT-120UC/21/SO46 - 2900453

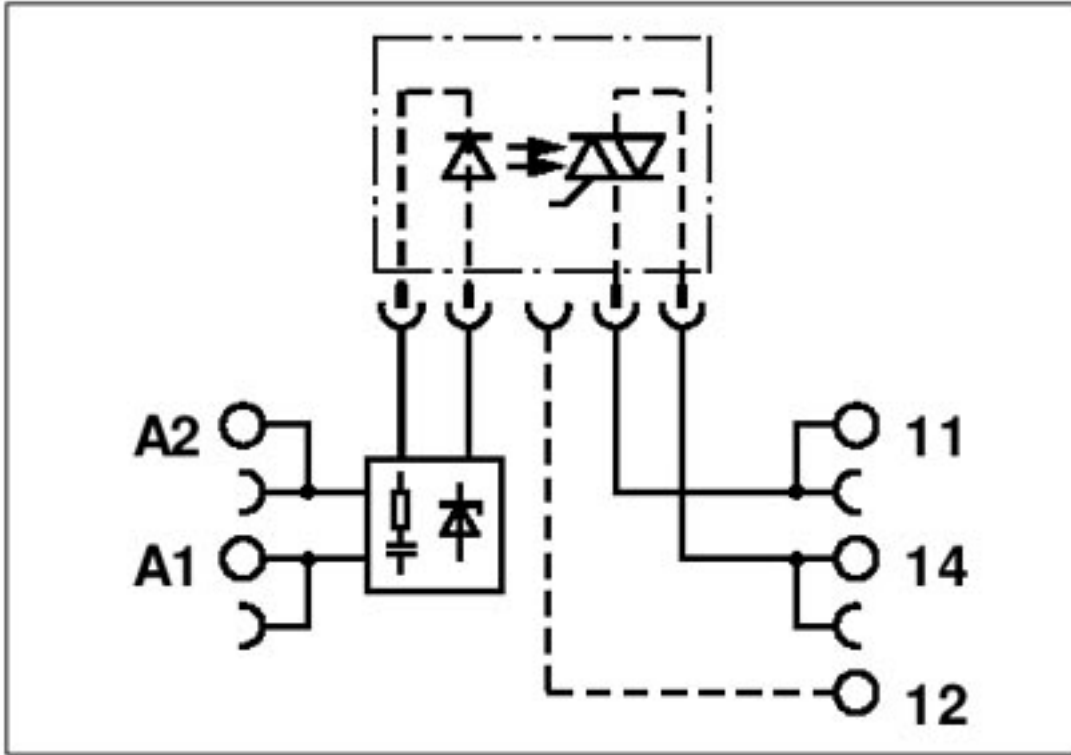
Circuit diagram



DC output

# Relay socket - PLC-BPT-120UC/21/SO46 - 2900453

Circuit diagram



AC output