



Chipsmall Limited consists of a professional team with an average of over 10 year of expertise in the distribution of electronic components. Based in Hongkong, we have already established firm and mutual-benefit business relationships with customers from,Europe,America and south Asia,supplying obsolete and hard-to-find components to meet their specific needs.

With the principle of “Quality Parts,Customers Priority,Honest Operation,and Considerate Service”,our business mainly focus on the distribution of electronic components. Line cards we deal with include Microchip,ALPS,ROHM,Xilinx,Pulse,ON,Everlight and Freescale. Main products comprise IC,Modules,Potentiometer,IC Socket,Relay,Connector.Our parts cover such applications as commercial,industrial, and automotives areas.

We are looking forward to setting up business relationship with you and hope to provide you with the best service and solution. Let us make a better world for our industry!



## Contact us

Tel: +86-755-8981 8866 Fax: +86-755-8427 6832

Email & Skype: info@chipsmall.com Web: www.chipsmall.com

Address: A1208, Overseas Decoration Building, #122 Zhenhua RD., Futian, Shenzhen, China



# MINI MCR-SL-CVS-24-5-10-NC

## Constant voltage source

Data sheet  
105264\_en\_01

© PHOENIX CONTACT 2013-04-03



## 1 Description

Configurable constant voltage source for generating high-precision constant voltages.

The voltage supply is also the input voltage. It is between 9.6 V DC and 30 V DC. The DIP switches accessible from the side of the housing allow configuration of the 10 V DC, 7.5 V DC, 5 V DC and 2.5 V DC output voltages.

Output and supply (input) are electrically isolated from one another.

## Features

- Configurable constant voltage source
- Approval for Ex-zone 2 (nA)
- Screw or spring-cage connection can be provided



### NOTE: Correct usage in potentially explosive areas

The module is a category 3 item of electrical equipment. It is absolutely vital to follow the instructions provided here during installation and observe the information in the "Safety regulations and installation notes".



Make sure you always use the latest documentation.  
It can be downloaded from the product at [phoenixcontact.net/products](http://phoenixcontact.net/products).



This data sheet is valid for all products listed on the following page:

<b>2</b>	<b>Table of contents</b>	
1	Description .....	1
2	Table of contents .....	2
3	Ordering data .....	3
4	Technical data .....	4
5	Safety regulations and installation notes.....	6
	5.1 Installation notes .....	6
	5.2 Installation in the Ex area (zone 2).....	6
6	Installation .....	7
	6.1 Structure .....	7
	6.2 Block diagram.....	7
	6.3 Power supply.....	7
	6.4 Assembly.....	8
	6.5 Connecting the wires .....	8
7	Configuration .....	9
	7.1 Configuration table.....	9
8	Adjustment .....	9

### 3 Ordering data

Description	Type	Order No.	Pcs. / Pkt.
Constant voltage source, input voltage 9.6 - 30 V DC, output voltage 10 V, 7.5 V, 5 V, 2.5 V DC, electrically isolated, can be configured via DIP switches, screw connection technology, standard configuration	MINI MCR-SL-CVS-24-5-10-NC	2902822	1
Constant voltage source, input voltage 9.6 - 30 V DC, output voltage 10 V, 7.5 V, 5 V, 2.5 V DC, electrically isolated, can be configured via DIP switches, spring cage connection technology, standard configuration	MINI MCR-SL-CVS-24-5-10-SP-NC	2902823	1
Constant voltage source, input voltage 9.6 - 30 V DC, output voltage 10 V, 7.5 V, 5 V, 2.5 V DC, electrically isolated, can be configured via DIP switches, spring cage connection technology, standard configuration	MINI MCR-SL-CVS-24-5-10-SP-NC	2902823	1
Accessories	Type	Order No.	Pcs. / Pkt.
DIN rail connector (TBUS), 5-pos., for bridging the supply voltage, can be snapped onto NS 35/... DIN rails according to EN 60715	ME 6,2 TBUS-2 1,5/5-ST-3,81 GN	2869728	10
MCR power terminal block for supplying several MINI Analog modules via the T-connector, with screw connection, maximum current consumption of up to 2 A	MINI MCR-SL-PTB	2864134	1
MCR power terminal block for supplying several MINI Analog modules via the T-connector, with spring-cage connection, maximum current consumption of up to 2 A	MINI MCR-SL-PTB-SP	2864147	1
DIN rail power supply unit, primary-switched mode, slim design, output: 24 V DC / 1.5 A	MINI-SYS-PS-100-240AC/24DC/1.5	2866983	1
DIN rail power supply unit, primary-switched mode, slim design, output: 24 V DC / 1.5 A, ATEX approval	MINI-PS-100-240AC/24DC/1.5/EX	2866653	1
Eight MINI analog signal converters with screw connection method can be connected to a control system using a system adapter and system cabling with a minimum of wiring and very low error risk.	MINI MCR-SL-V8-FLK 16-A	2811268	1
Fold up transparent cover for MINI MCR modules with additional labeling option using insert strips and flat Zack marker strip 6.2 mm	MINI MCR DKL	2308111	10
Label for extended marking of MINI MCR modules in connection with the MINI MCR-DKL	MINI MCR-DKL-LABEL	2810272	10

## 4 Technical data

Input		
Voltage input signal	9.6 V DC ... 30 V DC	
Output		
Max. voltage output signal	10 V DC 7.5 V DC 5 V DC 2.5 V DC	
Configurable/programmable	Yes, preconfigured	
Short-circuit current	approx. 32 mA	
Ripple	< 20 mV <sub>PP</sub>	
Supply		
Nominal supply voltage	24 V DC	
Supply voltage range	9.6 V DC ... 30 V DC (The T connector (ME 6,2 TBUS-2 1,5/5-ST-3,81 GN, Order No. 2869728) can be used to bridge the supply voltage. It can be snapped onto a 35 mm DIN rail according to EN 60715))	
Max. current consumption	< 25 mA (10 V output with 30 mA load at 24 V DC IN) < 65 mA (10 V output with 30 mA load at 9.6 V DC IN) < 50 mA (10 V voltage output with 30 mA load at 12 V DC IN) < 20 mA (10 V voltage output with 30 mA load at 30 V DC IN)	
Power consumption	< 600 mW (at 24 V IN) < 624 mW (at 9.6 V IN) < 564 mW (At 12 V IN) < 540 mW (At 30 V IN)	
General data		
Maximum transmission error	≤ 0.1 % (of final value) ≤ 0.5 % (Without adjustment)	
Temperature coefficient, typical	< 0.002 %/K	
Maximum temperature coefficient	< 0.01 %/K	
Electrical isolation	Basic insulation according to EN 61010	
Surge voltage category	II	
Mounting position	Any	
Degree of protection	IP20	
Pollution degree	2	
Rated insulation voltage	50 V AC/DC	
Dimensions W / H / D	6.2 mm / 93.1 mm / 102.5 mm	
Type of housing	PBT green	
Connection data	Screw connection	Spring-cage conn.
Conductor cross section, solid	0.2 mm <sup>2</sup> ... 2.5 mm <sup>2</sup>	0.2 mm <sup>2</sup> ... 2.5 mm <sup>2</sup>
Conductor cross section, stranded	0.2 mm <sup>2</sup> ... 2.5 mm <sup>2</sup>	0.2 mm <sup>2</sup> ... 2.5 mm <sup>2</sup>
Stripping length	12 mm	8 mm
Ambient conditions		
Ambient temperature (operation)	-20 °C ... 65 °C	
Ambient temperature (storage/transport)	-40 °C ... 85 °C	

**Conformance with EMC Directive 2004/108/EC**

Noise immunity according to EN 61000-6-2  
When being exposed to interference, there may be minimal deviations.

Noise emission according to EN 61000-6-4

**Conformance / approvals**

Conformance	CE-compliant
ATEX	Ⓜ II 3 G Ex nA IIC T4 Gc X
UL, USA / Canada	508 listed
UL, USA / Canada	Class I, Div. 2, Groups A, B, C, D T5 applied for

## 5 Safety regulations and installation notes

### 5.1 Installation notes

- The category 3 device is suitable for installation in the zone 2 potentially explosive area. It fulfills the requirements of EN 60079-0:2009 and EN 60079-15:2010.
- Installation, operation, and maintenance may only be carried out by qualified electricians. Follow the installation instructions described. When installing and operating the device, the applicable regulations and safety directives (including national safety directives), as well as general technical regulations, must be observed. The technical data is provided in this package slip and on the certificates (conformity assessment, additional approvals where applicable).
- It is not permissible to open or modify the device. Do not repair the device yourself but replace it with an equivalent device. Repairs may only be carried out by the manufacturer. The manufacturer is not liable for damage resulting from violation.
- The IP20 degree of protection (IEC 60529/EN 60529) of the device is intended for use in a clean and dry environment. Do not subject the device to any load that exceeds the described limits.
- The device is not designed for use in atmospheres with a danger of dust explosions.

### 5.2 Installation in the Ex area (zone 2)

- Observe the specified conditions for use in potentially explosive areas.
- The device must be installed in a housing (control or distributor box) which meets the requirements of EN 60079-15 and provides at least IP54 (EN 60529) degree of protection.
- During installation and when connecting the supply and signal circuits, observe the requirements of EN 60079-14. Devices may only be connected to circuits in zone 2 if they are suitable for operation in Ex zone 2 and for the prevailing conditions at the place of use.
- In potentially explosive areas, terminals may only be snapped onto or off the DIN rail connector and wires may only be connected or disconnected when the power is switched off.
- The device must be stopped and immediately removed from the Ex area if it is damaged, has been subjected to an impermissible load, has been stored incorrectly, or if it malfunctions.
- You can download the latest documents for these devices from [www.phoenixcontact.net/products](http://www.phoenixcontact.net/products).

## 6 Installation



**NOTE: electrostatic discharge!**

The device contains components that can be damaged or destroyed by electrostatic discharge. When handling the device, observe the necessary safety precautions against electrostatic discharge (ESD) according to EN 61340-5-1 and EN 61340-5-1.

### 6.1 Structure

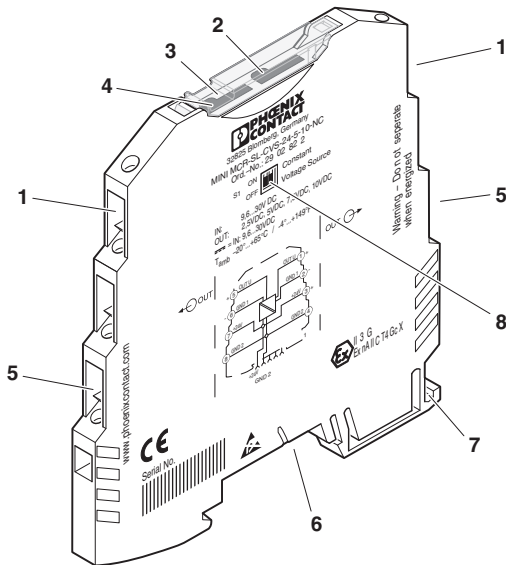


Figure 1 Structure

1. Output: constant voltage
2. Potentiometer for adjustment
3. Cover
4. Groove for ZBF 6 zack marker strip
5. Input/supply voltage
6. Connection for DIN rail connector
7. Universal snap-on foot for EN DIN rails
8. DIP switch S1

### 6.2 Block diagram

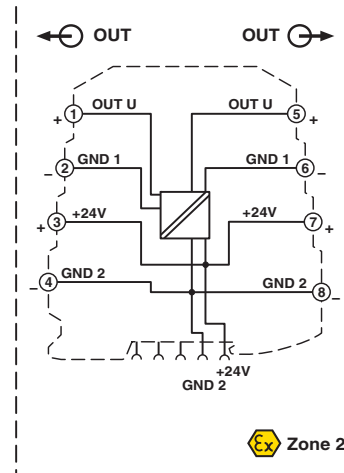


Figure 2 Block diagram

### 6.3 Power supply



**NOTE:** Never connect the supply voltage directly to the DIN rail connector. It is not permitted to draw power from the DIN rail connector or from individual modules.

#### Supply via the MINI Analog Module

Where the total current consumption of the aligned modules does not exceed 400 mA, the power can be supplied directly at the connection terminal blocks of the module.

A 400 mA fuse should be connected upstream.

#### Supply via a power terminal block

The MINI MCR-SL-PTB power terminal block (Order No. 2864134) or the MINI MCR-SL-PTB-SP power terminal block (Order No. 2864147), which are the same shape, are used to feed the supply voltage to the DIN rail connector.

A 2 A fuse should be connected upstream.

#### Supply via a system power supply unit

The system power supply unit with 1.5 A output current connects the DIN rail connector to the supply voltage and can thus be used to supply several modules from the mains.

- MINI-SYS-PS-100-240AC/24DC/1.5 (Order No. 2866983)
- Potentially explosive areas:  
MINI-PS-100-240AC/24DC/1.5/EX (Order No. 2866653)



### 6.4 Assembly

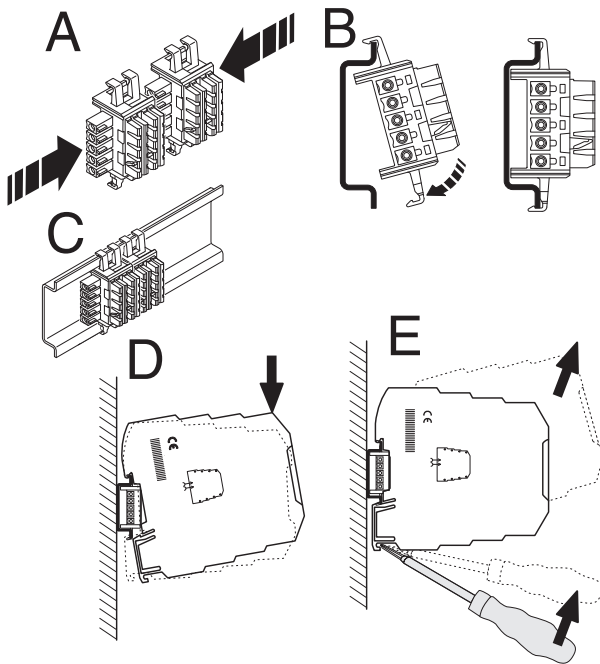


Figure 3 Mounting and removing

- Mount the module on a 35 mm DIN rail according to EN 60715.
- When using the DIN rail connector, first place it into the DIN rail (see A – C). It is used to bridge the power supply. It is also absolutely vital that you snap the module and the DIN rail connector into position in the correct direction: the snap-on foot should be at the bottom and the connector on the left.

### 6.5 Connecting the wires

The MINI MCR-SL-CVS-24-5-10... is available in two connection versions:

- Screw terminal blocks (MINI MCR-SL-CVS-24-5-10-NC)
- Spring-cage terminal blocks (MINI MCR-SL-CVS-24-5-10-SP-NC)

#### Screw connection:

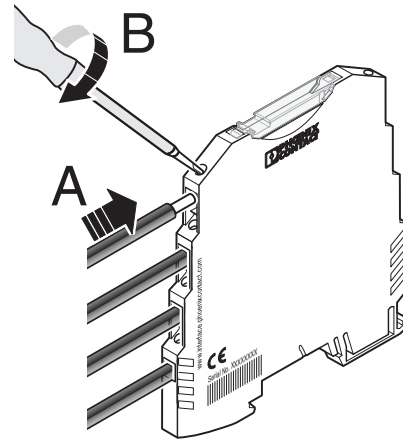


Figure 4 Screw connection

- Insert the wire into the corresponding connection terminal block.
- Use a screwdriver to tighten the screw in the opening above the connection terminal block.

#### Spring-cage connection:

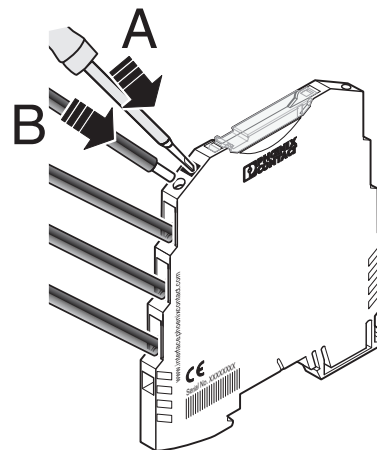


Figure 5 Spring-cage connection

- Insert a screwdriver into the opening above the connection terminal block.
- Insert the wire into the corresponding connection terminal block.

## 7 Configuration

You set the constant output voltage with DIP switch S1 (see table).

### Standard Configuration

If it is an "NC version", the device has the standard configuration:

10 V constant output voltage (all DIP switches in the "off" position).

#### 7.1 Configuration table

	• $\hat{=}$ ON	DIP S1	
		1	2
OUT	10 V		
	7.5 V		•
	5 V	•	
	2.5 V	•	•

## 8 Adjustment

A potentiometer is located underneath the cover; this is used for fine adjustment of the analog signals once the configuration of the DIP switches has been modified.

The transmission error without adjustment is < 0.5 %. You can use the potentiometer to adjust the error to < 0.1 %.



You require measuring equipment with the corresponding accuracy for exact adjustment!

The device is adjusted via its output end value:

- Connect the supply voltage.
- Set the exact value of the configured output signal with the potentiometer.