



Chipsmall Limited consists of a professional team with an average of over 10 year of expertise in the distribution of electronic components. Based in Hongkong, we have already established firm and mutual-benefit business relationships with customers from,Europe,America and south Asia,supplying obsolete and hard-to-find components to meet their specific needs.

With the principle of “Quality Parts,Customers Priority,Honest Operation,and Considerate Service”,our business mainly focus on the distribution of electronic components. Line cards we deal with include Microchip,ALPS,ROHM,Xilinx,Pulse,ON,Everlight and Freescale. Main products comprise IC,Modules,Potentiometer,IC Socket,Relay,Connector.Our parts cover such applications as commercial,industrial, and automotives areas.

We are looking forward to setting up business relationship with you and hope to provide you with the best service and solution. Let us make a better world for our industry!



Contact us

Tel: +86-755-8981 8866 Fax: +86-755-8427 6832

Email & Skype: info@chipsmall.com Web: www.chipsmall.com

Address: A1208, Overseas Decoration Building, #122 Zhenhua RD., Futian, Shenzhen, China



FL MC EF 1300 MM ST

FO converter with B-FOC (ST[®]) connection (1300 nm), for converting 10/100Base-T(X) to multi-mode fiberglass (50/125 μm)



Data sheet
104914_en_02

© PHOENIX CONTACT 2013-12-16

1 Description

The **FL MC EF 1300 MM ST** FO converter provides a high level of immunity to interference and a long transmission range in industrial applications by converting the 10/100Base-T(X) Ethernet interface to fiber optics (100 Mbps according to FX standard).

If longer distances are to be covered or if an existing fiberglass installation is used, the FO converter covers distances of up to 10,000 m with 62.5/125 μm or 6400 m with 50/125 μm multi-mode fiberglass in full duplex mode.

Features

- 10/100Base-T(X) auto negotiation
- Auto MDI/MDIX switchover
- Operating mode and speed can be set manually
- Link fault pass through (LFP)
- Far End Fault signaling (FEF)
- B-FOC (ST[®]) connection
- Mounting on a 35 mm DIN rail
- Redundant power supply possible



WARNING: Explosion hazard when used in potentially explosive areas

The module is a category 3 item of electrical equipment. Follow the instructions provided here during installation and observe the safety instructions.



Make sure you always use the latest documentation.
It can be downloaded from the product at phoenixcontact.net/products.



This data sheet is valid for all products listed on the following page:

2	Table of contents	
1	Description	1
2	Table of contents	2
3	Ordering data	3
4	Technical data	4
4.1	UL Notes	6
5	Safety regulations and installation notes.....	7
5.1	Installation and operation.....	7
5.2	Safety regulations for installation in potentially explosive areas	7
6	Structure	8
6.1	Dimensions	8
6.2	Block diagram.....	8
6.3	Function elements	9
6.4	Diagnostics and status indicators.....	9
7	Configuration via DIP switches	10
7.1	Setting data transmission (DIP 1, DIP 2, and DIP 3).....	10
7.2	Pause frame (DIP 4)	11
7.3	Link fault pass through (DIP 6)	11
8	Assembly	12
8.1	Mounting on a DIN rail	12
8.2	Combined assembly.....	12
8.3	Removal.....	12
9	Supply voltage	13
9.1	Operation as a single device.....	13
9.2	Combined operation with a system power supply.....	13
10	Twisted pair interface (TP port).....	13
11	Fiber optic interface (FO port).....	14
12	Error localization.....	15
12.1	Normal operation	15
12.2	Fault on the copper cable	15
12.3	Fault on the fiber optic cable	16

3 Ordering data

Description	Type	Order No.	Pcs. / Pkt.
FO converter with B-FOC (ST [®]) fiber optic connection (1300 nm), for converting 10/100Base-T(X) to multi-mode fiberglass (50/125 µm). Auto negotiation and auto MDI(X) function. Comprehensive link diagnostics. DIN-rail mountable, 18 ... 30 V DC supply.	FL MC EF 1300 MM ST	2902854	1
Accessories	Type	Order No.	Pcs. / Pkt.
RJ45 connector, shielded, with bend protection sleeve, 2 pieces, gray for straight cables, for assembly on site. For connections that are not crossed, it is recommended that you use the connector set with gray bend protection sleeve.	FL PLUG RJ45 GR/2	2744856	1
RJ45 connector, shielded, with bend protection sleeve, 2 pieces, green for crossed cables, for assembly on site. For connections that are crossed, it is recommended that the connector set with green bend protection sleeves is used.	FL PLUG RJ45 GN/2	2744571	1
CAT5-SF/UTP cable (J-02YS(ST)C HP 2 x 2 x 24 AWG), heavy-duty installation cable, 2 x 2 x 0.22 mm ² , solid conductor, shielded, outer sheath: 7.8 mm diameter, inner sheath: 5.75 mm ± 0.15 mm diameter	FL CAT5 HEAVY	2744814	1
CAT5-SF/UTP cable (J-LI02YS(ST)C H 2 x 2 x 26 AWG), light-duty, flexible installation cable 2 x 2 x 0.14 mm ² , stranded, shielded, outer sheath: 5.75 mm ± 0.15 mm diameter	FL CAT5 FLEX	2744830	1
Crimping pliers, for assembling the RJ45 plugs FL PLUG RJ45..., for assembly on site	FL CRIMPTOOL	2744869	1
DIN rail connector for DIN rail mounting. Universal for TBUS housing. Gold-plated contacts, 5-pos.	ME 22,5 TBUS 1,5/ 5-ST-3,81 GN	2707437	50
DIN rail power supply unit, primary-switched mode, narrow design, output: 24 V DC / 1.5 A	MINI-SYS-PS-100-240AC/24DC/1.5	2866983	1
DIN rail connector for DIN rail mounting. Universal for TBUS housing. Gold-plated contacts, 5-pos.	ME 17,5 TBUS 1,5/ 5-ST-3,81 GN	2709561	10
Assembled fiber optic cable, break-out cable, fiberglass multi-mode 50/125 µm, connector: LC/B-FOC (ST), degree of protection: IP20, for installation in cable ducts or control cabinets, length: 1 m	FL MM PATCH 1,0 LC-ST	2989174	1
Assembled fiber optic cable, break-out cable, fiberglass multi-mode 50/125 µm, connector: LC/B-FOC (ST), degree of protection: IP20, for installation in cable ducts or control cabinets, length: 2 m	FL MM PATCH 2,0 LC-ST	2989271	1
Assembled FO cable, break out cable, multi-mode fiberglass 50/125 µm, plug: LC / B-FOC (ST), protection type: IP20, for installation in cable ducts or control cabinets, length: 5 m	FL MM PATCH 5,0 LC-ST	2901801	1
Assembled FO cable, break out cable, multi-mode fiberglass 50/125 µm, connector: SC Duplex / B-FOC, protection type: IP20, for installation in cable ducts or control cabinets, length: 1 m	FL MM PATCH 1,0 SC-ST	2901809	1
Assembled FO cable, break out cable, multi-mode fiberglass 50/125 µm, connector: SC Duplex / B-FOC (ST), protection type: IP20, for installation in cable ducts or control cabinets, length: 2 m	FL MM PATCH 2,0 SC-ST	2901810	1
Assembled FO cable, break out cable, multi-mode fiberglass 50/125 µm, connector: SC Duplex / B-FOC (ST), protection type: IP20, for installation in cable ducts or control cabinets, length: 5 m	FL MM PATCH 5,0 SC-ST	2901811	1
Assembled FO cable, break out cable, multi-mode fiberglass 50/125 µm, connector: B-FOC (ST) / B-FOC (ST), protection type: IP20, for installation in cable ducts or control cabinets, length: 1 m	FL MM PATCH 1,0 ST-ST	2901815	1
Assembled FO cable, break out cable, multi-mode fiberglass 50/125 µm, connector: B-FOC (ST) / B-FOC (ST), protection type: IP20, for installation in cable ducts or control cabinets, length: 2 m	FL MM PATCH 2,0 ST-ST	2901816	1
Assembled FO cable, break out cable, multi-mode fiberglass 50/125 µm, connector: B-FOC (ST) / B-FOC (ST), protection type: IP20, for installation in cable ducts or control cabinets, length: 5 m	FL MM PATCH 5,0 ST-ST	2901817	1

Accessories	Type	Order No.	Pcs. / Pkt.
PROFINET HCS GI fiber cables, duplex 200/230 μm, increased bandwidth for Ethernet applications in particular. Robust PUR outer sheath. Heavy version suitable for drag chains and indoor installation, sold by the meter without plugs	FL FOC PN-C-HCS-GI-200/230	2313410	1
RJ45 connector, IP20, CAT5e, 8-pos., with QUICKON fast connection technology, for 26 ... 23 AWG 1-wire and 7-wire conductors, for 4.5 mm ... 8.0 mm cable diameter, labeling: TIA 568 B, color: gray	VS-08-RJ45-5-Q/IP20	1656725	1
B-FOC (ST) connector set for standard PROFINET HCS fiber cables with 2.2 mm diameter of the individual elements. Consisting of 4 quick mounting connectors with bend protection for self-assembly.	PSM-SET-B-FOC/4-HCS/PN	2313782	1

4 Technical data

Supply	
Power supply	18 V DC ... 30 V DC (Screw connection) 18 V DC ... 30 V DC (as an alternative or redundant, via backplane bus contact and system current supply)
Typical current consumption	< 100 mA (24 V DC)
Protective circuit	Protection against polarity reversal
Electrical isolation	(VCC // FE // Ethernet)
Test voltage data interface/power supply	1.5 kV _{rms} (50 Hz, 1 min.)

Ethernet interface, 10/100BASE-T(X) in acc. with IEEE 802.3u	
Connection method	RJ45 socket, shielded
Conductor cross section	0.2 mm ² ... 2.5 mm ² (24 AWG ... 14 AWG)
Transmission speed	10/100 MBit/s
Transmission length	100 m (twisted pair, shielded)
Transmission medium	Copper
Auto-negotiation modes	Auto
Link through	Link fault pass through
MDI-/MDI-X switchover	Auto-MDI(X)

FO interface	
Data rate	100 Mbps
Connection method	B-FOC (ST [®])
Wavelength	1300 nm
Laser protection	Class 1 according to DIN EN 60825-1
Transmission length incl. 3 dB system reserve	6.4 km (with F-G 50/125 0,7 dB/km F 1000) 2.8 km (with F-G 50/125 1,6 dB/km F 800) 10 km (with F-G 62,5/125 0,7 dB/km F 1000) 3 km (with F-G 62,5/125 2,6 dB/km F 600) 2 km (with 2GK200/230 GI-HCS)
Transmit capacity, minimum	≥ -23.5 dBm ((50/125 μm) dynamic in link mode (average)) ≥ -20 dBm ((62,5/125 μm) dynamic in link mode (average))
Transmit capacity, maximum	≤ -14 dBm ((50/125 μm) dynamic in link mode (average)) ≤ -14 dBm ((62,5/125 μm) dynamic in link mode (average))
Minimum receiver sensitivity	-31 dBm (dynamic in link mode (average))
Maximum receiver sensitivity	-14 dBm (dynamic in link mode (average))

General data

Basic functions	Store-and-forward media converter
Degree of protection	IP20
Dimensions (W/H/D)	22.5 mm x 99 mm x 114.5 mm
Weight	120 g
Housing material	PA 6.6-FR green
Free fall in acc. with IEC 60068-2-32	1 m
Vibration resistance in acc. with EN 60068-2-6/IEC 60068-2-6	5 g, 150 Hz, 2.5 h, in XYZ direction
Shock in acc. with EN 60068-2-27/IEC 60068-2-27	25 g, 11 ms period, half-sine shock pulse
MTTF (mean time to failure) SN 29500 standard, temperature 25°C, operating cycle 21% (5 days a week, 8 hours a day)	1400 Years
MTTF (mean time to failure) SN 29500 standard, temperature 40°C, operating cycle 34.25% (5 days a week, 12 hours a day)	599 Years
MTTF (mean time to failure) SN 29500 standard, temperature 40°C, operating cycle 100% (7 days a week, 24 hours a day)	101 Years

Ambient conditions

Ambient temperature (operation)	-40 °C ... 65 °C
Ambient temperature (storage/transport)	-40 °C ... 85 °C
Permissible humidity (operation)	30 % ... 95 % (no condensation)
Permissible humidity (storage/transport)	30 % ... 95 % (no condensation)

Certification / Approvals

Conformance	CE-compliant
Free from substances that could impair the application of coating	according to P-VW 3.10.7 57 65 0 VW-AUDI-Seat central standard
ATEX	<p>⊕ II 3 G Ex nA IIC T4 Gc X</p> <p>⊕ II (2) D [Ex op is Db] IIIC (PTB 06 ATEX 2042 U)</p> <p>⊕ II (2) G [Ex op is Gb] IIC (PTB 06 ATEX 2042 U)</p>
UL, USA / Canada	<p>cULus listed UL 508</p> <p>Class I, Zone 2, AEx nA IIC T4</p> <p>Class I, Zone 2, Ex nA IIC T4 Gc X</p> <p>Class I, Div. 2, Groups A, B, C, D</p>
Standards/regulations	EN 60950-1

Conformance with EMC Directive 2004/108/EC

Noise immunity according to EN 61000-6-2

Electrostatic discharge	EN 61000-4-2	
	Contact discharge	± 6 kV (Test intensity 3)
	Discharge in air	± 8 kV (Test intensity 3)
	Comments	Criterion B
Electromagnetic HF field	EN 61000-4-3	
	Frequency range	80 MHz ... 3 GHz (Test intensity 3)
	Field intensity	10 V/m
	Comments	Criterion A
Fast transients (burst)	EN 61000-4-4	
	Input	± 2 kV (Test intensity 3)
	Signal	± 2 kV (Test intensity 3)
	Comments	Criterion B
Surge current loads (surge)	EN 61000-4-5	
	Input	± 0.5 kV (DC supply)
	Signal	± 1 kV (Data line, asymmetrical)
	Comments	Criterion B
Conducted interference	EN 61000-4-6	
	Frequency range	0.15 MHz ... 80 MHz
	Voltage	10 V
	Comments	Criterion A

Emitted interference in acc. with EN 61000-6-4

Noise emission	EN 55022
	Class A, industrial applications
Criterion A	Normal operating behavior within the specified limits
Criterion B	Temporary impairment of operating behavior that is corrected by the device itself

4.1 UL Notes

INDUSTRIAL CONTROL EQUIPMENT 11AE

Wire Range: 24-14 AWG
 Torque: 5-7 (Lbs-Ins)
 Environmental designation: "Open Type Device"
 "Pollution Degree 2 Installation Environment"

PROCESS CONTROL EQUIPMENT FOR HAZARDOUS LOCATIONS 31ZN

- A This equipment is suitable for use in Class I, Zone 2, AEx nA IIC T4; Ex nA IIC T4 Gc X or Class I, Division 2, Groups A, B, C, D or non-hazardous locations only.
- B Provision shall be made to prevent transient disturbances of more than 140% of the rated supply voltage.
- C The device must be installed in a Class I, Zone 2 certified overall enclosure rated IP54 with tool-accessible only cover or door and in pollution degree 2 environment only.
- D Unit shall be supplied by Limited Energy circuit according to clause 9.4 of UL 61010-1 3rd edition of Limited Power Source according to clause 2.5 of UL 60950-1 or NEC Class 2.
- E Conductor temperature rating must be 72°C or higher.
- F Maximum relative humidity 80% for temperatures up to 31°C decreasing linearly to 50% relative humidity at 40°C.

5 Safety regulations and installation notes

5.1 Installation and operation



CAUTION:

Observe the following safety notes when using the FO converter.

- The category 3 device is suitable for installation in potentially explosive area zone 2. It fulfills the requirements of EN 60079-0:2009 and EN 60079-15:2010.
- Suitable category 2 devices approved for the application may be connected to the fiber optic interface.
- Installation, operation, and maintenance may only be carried out by qualified electricians. Follow the installation instructions as described.
- When installing and operating the device, the applicable regulations and safety directives (including national safety directives), as well as general technical regulations, must be observed. The technical data is provided in the package slip and on the certificates (conformity assessment, additional approvals where applicable).
- The device must not be opened or modified apart from the configuration of the DIP switches. Do not repair the device yourself but replace it with an equivalent device. Repairs may only be carried out by the manufacturer. The manufacturer is not liable for damage resulting from a failure to comply.
- The IP20 protection (IEC 60529/EN 60529) of the device is intended for use in a clean and dry environment. The device must not be subject to mechanical strain and/or thermal loads, which exceed the limits described.
- The device is not designed for use in atmospheres with a danger of dust explosions.
- If dust is present, it is necessary to install into a suitable approved housing, whereby the surface temperature of the housing must be taken into consideration.
- The switches of the device that can be accessed may only be actuated when the power supply to the device is disconnected.
- Provisions shall be made to prevent the rated voltage from being exceeded by transient disturbances of more than 140%.

5.2 Safety regulations for installation in potentially explosive areas



WARNING: Explosion hazard when used in potentially explosive areas

Please make sure that the following notes and instructions are observed.

- Observe the specified conditions for use in potentially explosive areas.
- At the time of installation, use an approved housing (minimum protection IP54), which meets the requirements of EN 60079-15. Within this context, observe the requirements of IEC 60079-14/EN 60079-14.
- In zone 2, only connect devices to the supply and signal circuits that are suitable for operation in the Ex zone 2 and the conditions at the installation location.
- In potentially explosive areas, terminals may only be snapped onto or off the DIN rail connector and wires may only be connected or disconnected when the power is switched off.
- The device must be stopped and immediately removed from the Ex area if it is damaged, was subject to an impermissible load, stored incorrectly or if it malfunctions.
- For reliable operation, the RJ connection must be equipped with a fully functional locking clip. Repair any damaged plug plugs immediately.

6 Structure

6.1 Dimensions

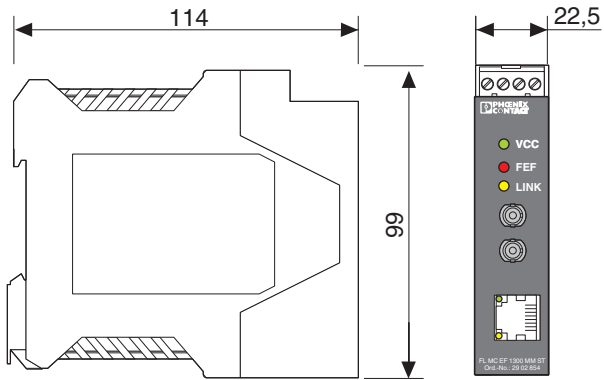


Figure 1 Housing dimensions

6.2 Block diagram

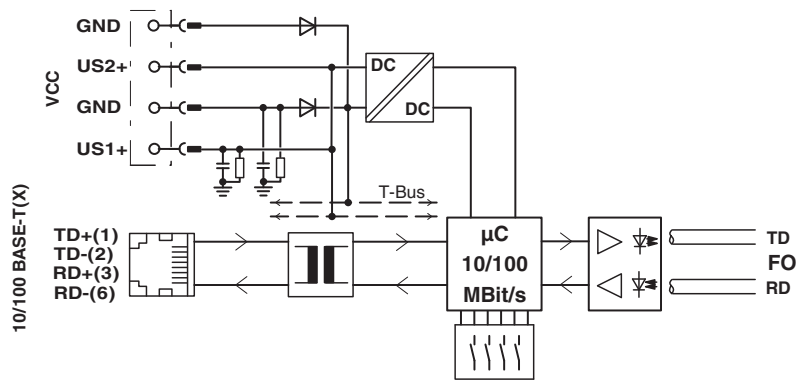


Figure 2 Block diagram

6.3 Function elements

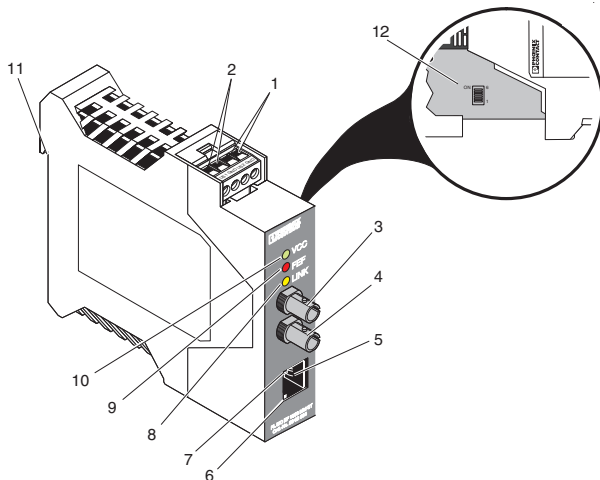


Figure 3 Function elements

- 1 24 V DC supply voltage
- 2 24 V DC supply voltage (Redundancy)
- 3 Fiber optic (FO) receiver
- 4 Fiber optic (FO) transmitter
- 5 RJ45 Ethernet port 10/100 Base-T(X)
- 6 LED Link/Activity/10/100
- 7 LED HD/FD
- 8 LED LINK
- 9 LED FEF
- 10 LED VCC
- 11 Functional earth ground
- 12 DIP switch

6.4 Diagnostics and status indicators

Ethernet interface (TP port)

6	Link/Activity/10/100	Yellow	ON	10 Mbps link
			Flashing	10 Mbps link - active data transmission
		Green	ON	100 Mbps link
			Flashing	100 Mbps link - active data transmission
7	HD/FD	Green	OFF	Half duplex transmission
			ON	Full duplex transmission

Fiber optics interface (FO port)

8	LINK	Yellow	ON	Fiber optics link available, no data communication
			Flashing	Data transmission at FO port
9	FEF	Red	ON	Far end fault has occurred. Remote station reports: "no light".

Supply voltage

10	VCC	Green	ON	Supply voltage OK
----	-----	-------	----	-------------------

Far End Fault signal (FEF)

If in the case of a FO converter the fiber optic connection for transmission fails, the FO converter on the opposite side sends the "No light" signal. This Far End Fault signal is received by the FO converter with the transmission fault via the receive cable and indicated with the red FEF LED.

If the copper connection is interrupted at one of the FO converters, data communication for both FO converters in both the optical and copper segment is disabled by the link fault pass through function. In this case, all Link LEDs go out. However, in order that error diagnostics can be carried out, the red FEF LED lights up on the FO converter where the copper segment is interrupted.

7 Configuration via DIP switches



NOTE: electrostatic discharge!
The device contains components that can be damaged or destroyed by electrostatic discharge. When handling the device, observe the necessary safety precautions against electrostatic discharge (ESD) according to EN 61340-5-1 and IEC 61340-5-1.



Only select the mode of operation when the power is disconnected! The change is activated after renewed power up.

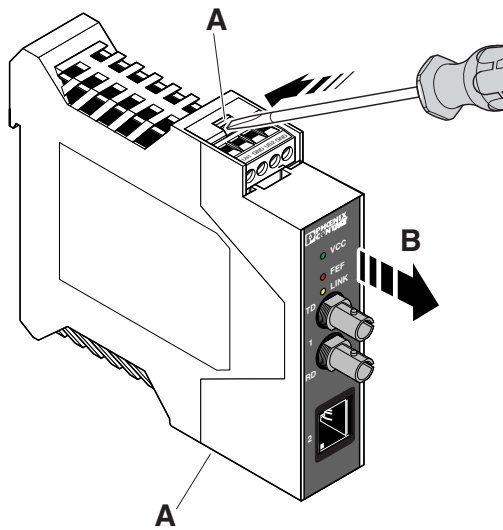


Figure 4 Opening the housing

- Disengage the housing cover with a screwdriver (A).
- Then carefully pull the PCB out of the housing as far as possible (B).

By default, all DIP switches are in the “OFF” position. The copper side of the device operates in “Auto negotiation” mode.

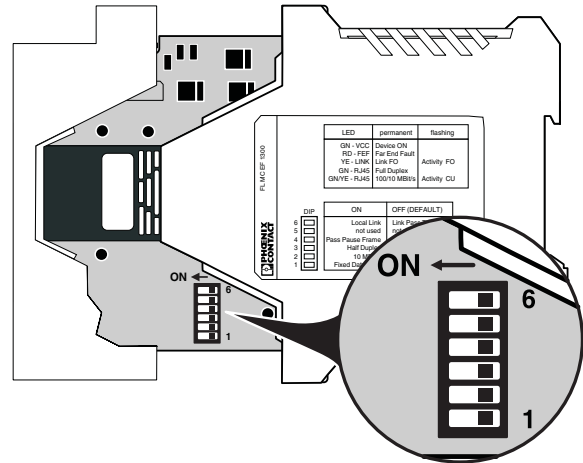


Figure 5 DIP switches

DIP	ON	OFF (default setting)
6	LFP deactivated (local)	LFP activated (global)
5	Not used	
4	Pass pause frame	Drop pause frame
3	Half duplex transmission	Full duplex transmission
2	10 Mbps	100 Mbps
1	Fixed transmission speed on the copper side	Auto negotiation

7.1 Setting data transmission (DIP 1, DIP 2, and DIP 3)

DIP 1 = OFF: the connected end devices negotiate 10/100 Mbps transmission speed and half/full transmission mode directly. The entire path behaves like a directly connected copper cable.

DIP 1 = ON: you set the transmission speed and mode manually with DIP switches 2 and 3.

- DIP 1** OFF Auto negotiation
- DIP 1** ON **DIP 2** OFF 100 Mbps
ON 10 Mbps
- DIP 3** OFF Full duplex transmission
ON Half duplex transmission



If DIP switch 1 is in the “OFF” position, the position of DIP switch 2 and 3 is not queried.

7.2 Pause frame (DIP 4)

A pause frame signal can request an Ethernet device to temporarily interrupt data transmission. This avoids overloading the partner when, for example, communication takes place with different transmission speeds.

DIP 4 = OFF: the device does not respond to an incoming pause frame signal. It is also not forwarded. A pause frame signal cannot be generated by the device itself.

The transmission of pause frame signals is negotiated in sections.

DIP 4 = ON: the device responds to pause frame signals or forwards them. A pause frame signal can be generated by the device itself.

7.3 Link fault pass through (DIP 6)

The LFP (link fault pass through) function provides permanent connection monitoring. The link on the fiber optic connection switches off if the connection is lost on the copper side of a FO converter. The FO converter on the other side registers the aborted link via the fiber optic path and likewise interrupts the connection for its twisted pair segment.

The entire connection over the optical path is therefore as transparent as it would be were communication purely copper-based. Both sides of the network connection can therefore detect a lost link immediately and respond accordingly. In the event of an error, this keeps the network load low and ensures that redundancy mechanisms can be activated.

DIP 6 = OFF: the LFP function is activated.

In the event of a fault, the entire connection is disabled (global).

DIP 6 = ON: the LFP function is deactivated.

In the event of a fault, only the interrupted segment is disabled (local). This is useful during startup and in the event of an error.

8 Assembly



CAUTION: Electric shock

The device is only intended for operation with SELV according to IEC 60950/EN 60950/VDE 0805.



NOTE: Malfunction

Connect the DIN rail to protective earth ground using a grounding terminal block. The devices are grounded when they are snapped onto the DIN rail (installation according to PELV). This ensures that the shielding is effective. Connect protective earth ground with low impedance.

8.1 Mounting on a DIN rail

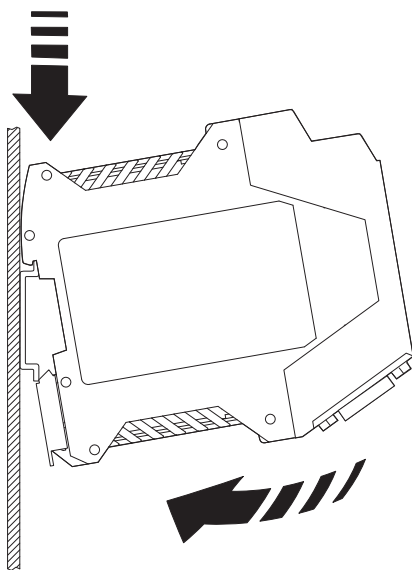


Figure 6 Mounting on a DIN rail

- To avoid contact resistance, only use clean, corrosion-free 35 mm DIN rails according to DIN EN 60715.
- Install an end clamp next to the left-hand module to prevent the modules from slipping.
- Place the module onto the DIN rail from above.
- Push the front of the device toward the mounting surface until it audibly snaps into place.
- The other modules to be contacted are snapped onto the DIN rail next to each other.

8.2 Combined assembly

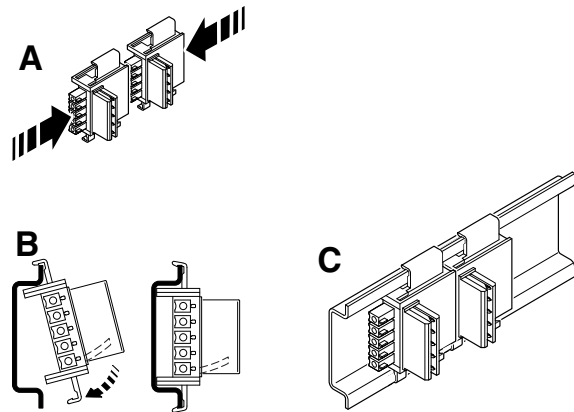


Figure 7 Combined assembly

The DIN rail connector is used to bridge the power supply and communication.

- Connect the DIN rail connectors (TBUS) (Order No. 2707437, 1 pc. per device) together for a connection station.
- Push the connected DIN rail connectors into the DIN rail.
- Place the module onto the DIN rail from above.
- Push the front of the device toward the mounting surface until it audibly snaps into place.

A connection station must not consist of more than ten devices.



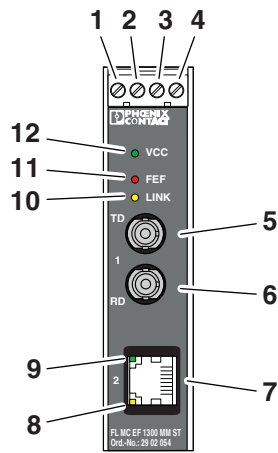
In this case, it is vital to observe the mounting direction of the module and DIN rail connector: snap-on foot at the bottom and connector on the left!

8.3 Removal

- Push down the locking tab with a screwdriver, needle-nose pliers or similar.
- Pull the bottom edge of the module away from the mounting surface.
- Pull the module diagonally upwards away from the DIN rail.

9 Supply voltage

The device is operated using a 24 V DC SELV.



- 1 24 V DC supply voltage
- 2 0 V DC supply voltage
- 3 24 V DC supply voltage (Redundancy)
- 4 0 V DC supply voltage (Redundancy)

9.1 Operation as a single device

- Supply voltage to the device via terminal blocks **1** (24 V) and **2** (0 V).
- Optional: connect an additional power supply unit to terminal blocks **3** and **4** to provide a redundant power supply.

9.2 Combined operation with a system power supply

- Connect a system power supply to two DIN rail connectors on the left of the group. (MINI-SYS-PS-100-240AC/24DC/1.5, Order No. 2866983 or MINI-PS100-240AC/24DC/1.5/EX, Order No. 2866653 and two DIN rail connectors, Order No. 2709561)
- A second power supply unit can be used to create a redundant supply concept.

10 Twisted pair interface (TP port)



NOTE: Interference

Only use shielded twisted pair cables and corresponding shielded RJ45 connectors.

One Ethernet interface in RJ45 format is on the front of the device, which can only be connected to twisted pair cables with an impedance of 100 Ω.

The data transmission speed is 10/100 Mbps

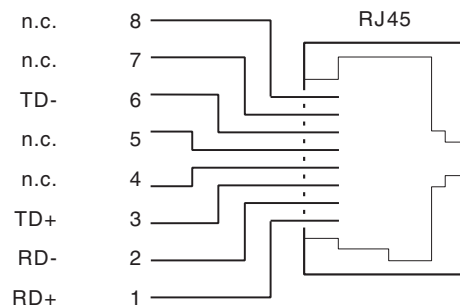


Figure 8 Pin assignment

- Push the Ethernet cable with the crimped RJ45 plug into the TP interface until the plug engages with a click. Observe the plug coding.

11 Fiber optic interface (FO port)



WARNING: Risk of eye injury

During operation, do not look directly into transmitter diodes or use visual aids to look into the glass fibers. The infrared light is not visible.



Avoid contamination.

Remove the dust protection caps just before the connectors are connected!



When using fiber optics, observe the fiber optic installation guidelines, DB GB IBS SYS FOC ASSEMBLY, Order No. 9423439.

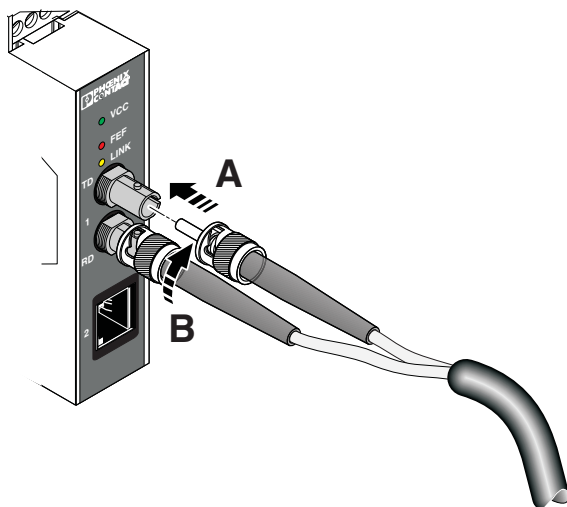


Figure 9 Connect B-FOC (ST[®]) plug

- Remove the dust protection cap.
- Connect the fiber optic cable to the B-FOC (ST[®]) connector for the transmit and receive channel. Make sure the coding is in the correct position.
- Push the connector spring mechanism downwards.
- Secure the connection with a quarter turn to the right (B).

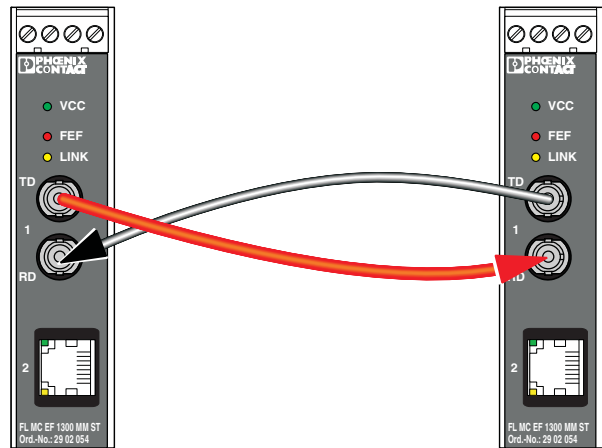


Figure 10 Signal direction for the fiber connection

When connecting two FO converters, note the signal direction of the fiber optics.

- Fiber connection “TD” (transmitter) at device 1
- Fiber connection “RD” (receiver) at device 2



Please note the transmit and receive channel crossover!

12 Error localization

12.1 Normal operation

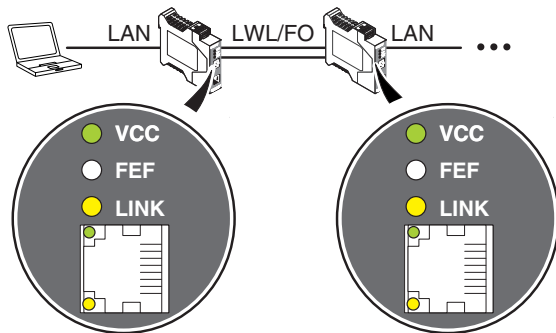


Figure 11 Diagnostics indicators in normal operation

12.2 Fault on the copper cable

The diagnostics indicator depends on DIP 6.

LFP activated, global (DIP 6 = OFF, default setting)

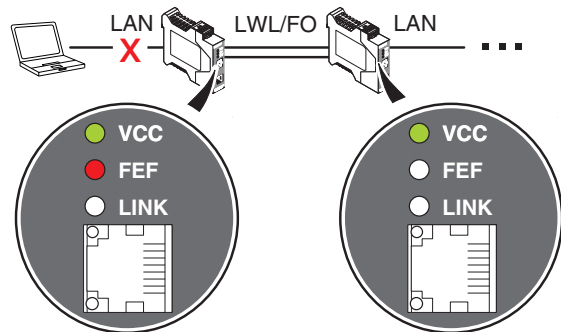


Figure 12 LAN fault with LFP activated, global

DIP 6 = OFF: by default, all Link LEDs go out in the event of a fault in a twisted pair segment.

The red FEF LED indicates the FO converter where the twisted pair segment failed.

LFP deactivated, local (DIP 6 = ON)

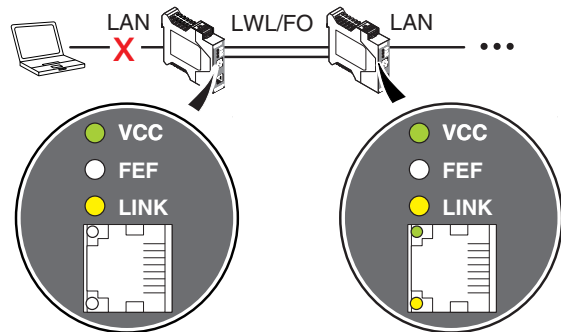


Figure 13 LAN fault with LFP deactivated, local

DIP 6 = ON: in the “LFP deactivated, local” setting, only the Link LEDs of the corresponding port go out in the event of a fault in a twisted pair segment. The Link LEDs at the copper port on the other media converter and for the fiber optic connection are on. The “LFP deactivated, local” setting therefore enables more precise diagnostics.

12.3 Fault on the fiber optic cable

The diagnostics indicator depends on DIP 6.

LFP activated, global (DIP 6 = OFF, default setting)

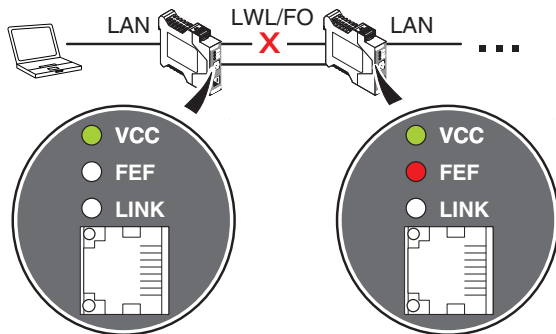


Figure 14 Fiber optic fault with LFP activated, global

If just one of the optical fibers is interrupted, you can determine which is the affected fiber via the FEF LEDs. If the FEF LED at a media converter lights up, the fiber connected to the transmit port (TD) is interrupted. The entire connection is disabled.

LFP deactivated, local (DIP 6 = ON)

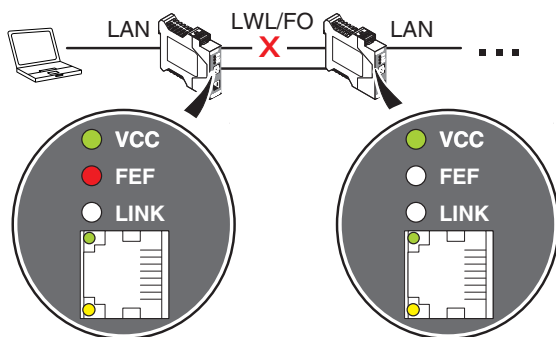


Figure 15 Fiber optic fault with LFP deactivated, local

The red FEF LED lights up if the optical fiber at the transmit port of the device is interrupted. Only the affected segment is disabled, the copper port connections remain.