



Chipsmall Limited consists of a professional team with an average of over 10 year of expertise in the distribution of electronic components. Based in Hongkong, we have already established firm and mutual-benefit business relationships with customers from,Europe,America and south Asia,supplying obsolete and hard-to-find components to meet their specific needs.

With the principle of "Quality Parts,Customers Priority,Honest Operation,and Considerate Service",our business mainly focus on the distribution of electronic components. Line cards we deal with include Microchip,ALPS,ROHM,Xilinx,Pulse,ON,Everlight and Freescale. Main products comprise IC,Modules,Potentiometer,IC Socket,Relay,Connector.Our parts cover such applications as commercial,industrial, and automotives areas.

We are looking forward to setting up business relationship with you and hope to provide you with the best service and solution. Let us make a better world for our industry!



Contact us

Tel: +86-755-8981 8866 Fax: +86-755-8427 6832

Email & Skype: info@chipsmall.com Web: www.chipsmall.com

Address: A1208, Overseas Decoration Building, #122 Zhenhua RD., Futian, Shenzhen, China



Module carrier - TC-2D37SUB-DO16-F&G-AR-UNI - 2902914

Please be informed that the data shown in this PDF Document is generated from our Online Catalog. Please find the complete data in the user's documentation. Our General Terms of Use for Downloads are valid (<http://phoenixcontact.com/download>)



Universal Termination Carrier for redundantly connecting 16 PSR-ETP modules to digital output cards, via two D-SUB connectors, 37-pos. (1:1 connection). Solution for Fire & Gas (F&G) applications

Why buy this product

- ✓ Mechanically decoupled, passive PCB
- ✓ Robust aluminum profile with integrated DIN rail
- ✓ Side parts with integrated end clamps
- ✓ Redundant D-SUB pin strip system connection, 37-pos. (1:1 connection)
- ✓ Simple or redundant supply, decoupled from diode, protected against polarity reversal
- ✓ Error message in the event of power supply failure or fuse fault
- ✓ Relay output (N/O contact, floating) and flashing LED for error message
- ✓ Undervoltage monitoring at input at < 18 V DC
- ✓ Suitable for safe state on applications
- ✓ Cable sets for signal connection are not supplied as standard and must be ordered separately

Key Commercial Data

Packing unit	1 STK
GTIN	
GTIN	4046356703710

Technical data

Note

Utilization restriction	EMC: class A product, see manufacturer's declaration in the download area
-------------------------	---

General

Nominal voltage U_N	< 50 V DC (Per signal/channel)
Max. permissible current	1 A (Signal/channel)
Degree of protection	IP00

Module carrier - TC-2D37SUB-DO16-F&G-AR-UNI - 2902914

Technical data

General

Degree of pollution	2
Overvoltage category	II

Supply

Designation	Device supply
Input voltage range	21.1 V DC ... 26.4 V DC
Input current	≤ 2 A
Redundant supply	yes, decoupled from diodes
Polarization and surge protection	Yes
Output name	Switching output
Contact type	1 N/C contact (alarm = open)
Fuse	2.5 A on PCB, slow-blow (replaceable)
Status display	2 x red LED (error)
	2x green LEDs (PWR1 and PWR2)

Ambient conditions

Ambient temperature (operation)	-20 °C ... 60 °C
Ambient temperature (storage/transport)	-40 °C ... 80 °C
Permissible humidity (operation)	5 % ... 95 % (non-condensing)
Shock	15g, according to IEC 60068-2-27
Vibration (operation)	2g, according to IEC 60068-2-6
Maximum altitude	≤ 2000 m

Dimensions

Width	304 mm
Height	170 mm
Depth	160 mm

Standards and Regulations

Shock	15g, according to IEC 60068-2-27
Designation	Air clearances and creepage distances
Standards/regulations	DIN EN 50178
Rated insulation voltage	50 V
Rated surge voltage	0.5 kV
Insulation	Basic insulation
Flammability rating according to UL 94	V0
Vibration (operation)	2g, according to IEC 60068-2-6
UL, USA/Canada	UL 61010 Listed
	Class I, Div. 2, Groups A, B, C, D T4
	Class I, Zone 2, Group IIC

Environmental Product Compliance

China RoHS	Environmentally Friendly Use Period = 50
------------	--

Module carrier - TC-2D37SUB-DO16-F&G-AR-UNI - 2902914

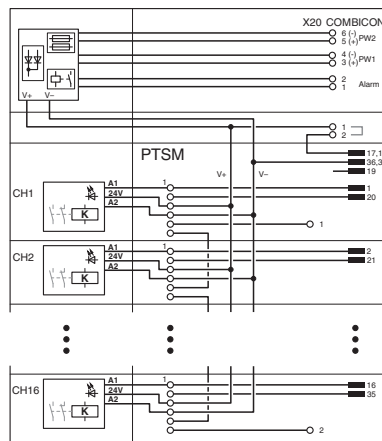
Technical data

Environmental Product Compliance

For details about hazardous substances go to tab "Downloads", Category "Manufacturer's declaration"

Drawings

Circuit diagram



Connection scheme TC-2D37SUB-DO16-F&G-AR-UNI

Approvals

Approvals

Approvals

EAC

Ex Approvals

Approval details

EAC		RU *- DE.A*30.B.01735
-----	--	--------------------------

Phoenix Contact 2017 © - all rights reserved
<http://www.phoenixcontact.com>

PHOENIX CONTACT GmbH & Co. KG
Flachsmarktstr. 8
32825 Blomberg
Germany
Tel. +49 5235 300
Fax +49 5235 3 41200
<http://www.phoenixcontact.com>