



Chipsmall Limited consists of a professional team with an average of over 10 year of expertise in the distribution of electronic components. Based in Hongkong, we have already established firm and mutual-benefit business relationships with customers from,Europe,America and south Asia,supplying obsolete and hard-to-find components to meet their specific needs.

With the principle of “Quality Parts,Customers Priority,Honest Operation,and Considerate Service”,our business mainly focus on the distribution of electronic components. Line cards we deal with include Microchip,ALPS,ROHM,Xilinx,Pulse,ON,Everlight and Freescale. Main products comprise IC,Modules,Potentiometer,IC Socket,Relay,Connector.Our parts cover such applications as commercial,industrial, and automotives areas.

We are looking forward to setting up business relationship with you and hope to provide you with the best service and solution. Let us make a better world for our industry!



## Contact us

Tel: +86-755-8981 8866 Fax: +86-755-8427 6832

Email & Skype: info@chipsmall.com Web: www.chipsmall.com

Address: A1208, Overseas Decoration Building, #122 Zhenhua RD., Futian, Shenzhen, China



## Extension module - PSR-SCP-42-230UC/URM4/4X1/2X2B - 2902935

Please be informed that the data shown in this PDF Document is generated from our Online Catalog. Please find the complete data in the user's documentation. Our General Terms of Use for Downloads are valid (<http://phoenixcontact.com/download>)




1 or 2-channel contact extension with wide range input, 4 N/O contacts, 1 N/C contact, 1 confirmation current path, together with basic device up to Cat. 4, PL e according to EN ISO 13849, plug-in screw terminal block, width: 22.5 mm

### Product Description

The URM4 contact extension device enables safety-related signals to be further processed as floating contacts for an input voltage range of 42 to 230 V AC/DC. The contact extension device specifically covers the operating range above a nominal voltage of 24 V. The new device is approved in accordance with EN 50156 and can therefore be used in furnaces without any additional effort. In particular when used in conjunction with the corresponding PSR safety relay as a basic device, safety circuits up to PL e or SIL 3 can be implemented.



### Key Commercial Data

Packing unit	1 STK
GTIN	 4 046356 697965
GTIN	4046356697965

### Technical data

#### Note

Utilization restriction	EMC: class A product, see manufacturer's declaration in the download area
-------------------------	---

#### Dimensions

Width	22.5 mm
Height	99 mm
Depth	114.5 mm

#### Ambient conditions

Ambient temperature (operation)	-20 °C ... 55 °C (observe derating)
Ambient temperature (storage/transport)	-40 °C ... 85 °C
Max. permissible relative humidity (operation)	75 % (on average, 85% infrequently, non-condensing)
Max. permissible humidity (storage/transport)	75 % (on average, 85% infrequently, non-condensing)
Shock	15g

## Extension module - PSR-SCP-42-230UC/URM4/4X1/2X2B - 2902935

### Technical data

#### Ambient conditions

Vibration (operation)	10 Hz ... 150 Hz, 2g
Maximum altitude	≤ 2000 m (Above sea level)

#### Input data

Rated control circuit supply voltage $U_s$	42 V AC/DC ... 230 V AC/DC -15 % ... +10 % (Rated control circuit supply voltage $U_s$ )
Rated control supply current $I_s$	40 mA (42 V DC)
	20 mA (230 V AC)
Power consumption at $U_s$	typ. 1.68 W (42 V DC)
	typ. 4.6 W (230 V AC)
Inrush current	15 A ( $\Delta t = 100 \mu s$ at $U_s$ )
Typ. starting time with $U_s$	< 55 ms (when controlled via A1)
Typical release time	< 20 ms (Control via A1 at 42 V DC)
	< 30 ms (Control via A1 at 48 V DC)
	< 40 ms (Control via A1 at 60 V DC)
	< 60 ms (Control via A1 at 110 V AC)
	< 150 ms (Control via A1 at 230 V AC)
Recovery time	< 1 s
Maximum switching frequency	0.5 Hz

#### Output data

Contact type	4 enabling current paths
	1 confirmation current path
	1 signaling current path
Contact material	AgSnO <sub>2</sub>
Minimum switching voltage	5 V AC/DC
Maximum switching voltage	250 V AC/DC (Observe the load curve)
Limiting continuous current	6 A (N/O contact, pay attention to the derating)
	6 A (N/C contact)
Inrush current, minimum	10 mA
Maximum inrush current	8 A
Sq. Total current	36 A <sup>2</sup> (observe derating)
Interrupting rating (ohmic load) max.	144 W (24 V DC, $\tau = 0$ ms)
	288 W (48 V DC, $\tau = 0$ ms)
	180 W (60 V DC, $\tau = 0$ ms)
	77 W (110 V DC, $\tau = 0$ ms)
	88 W (220 V DC, $\tau = 0$ ms)
	1500 VA (250 V AC, $\tau = 0$ ms)
Maximum interrupting rating (inductive load)	42 W (24 V DC, $\tau = 40$ ms)
	40 W (48 V DC, $\tau = 40$ ms)
	36 W (60 V DC, $\tau = 40$ ms)
	35 W (110 V DC, $\tau = 40$ ms)



## Extension module - PSR-SCP-42-230UC/URM4/4X1/2X2B - 2902935

### Technical data

#### Output data

	33 W (220 V DC, $\tau = 40$ ms)
Switching capacity min.	50 mW
Output fuse	10 A gL/gG (N/O contact)
	6 A gL/gG (N/C contact)

#### General

Relay type	Electromechanical relay with forcibly guided contacts in accordance with EN 50205
Mechanical service life	$10 \times 10^6$ cycles
Nominal operating mode	100% operating factor
Net weight	239 g
Mounting type	DIN rail mounting
Assembly instructions	See derating curve
Mounting position	vertical or horizontal
Degree of protection	IP20
Min. degree of protection of inst. location	IP54
Control	one and two channel
Housing material	PBT
Housing color	yellow

#### Connection data

Connection method	Screw connection
pluggable	Yes
Conductor cross section solid min.	0.2 mm <sup>2</sup>
Conductor cross section solid max.	2.5 mm <sup>2</sup>
Conductor cross section flexible min.	0.2 mm <sup>2</sup>
Conductor cross section flexible max.	2.5 mm <sup>2</sup>
Conductor cross section AWG min.	24
Conductor cross section AWG max.	12
Stripping length	7 mm
Screw thread	M3

#### Safety-related characteristic data

Stop category	0
Designation	IEC 61508 - High demand
Safety Integrity Level (SIL)	3 (In conjunction with suitable evaluating device)
Designation	IEC 61508 - Low demand
Safety Integrity Level (SIL)	3 (In conjunction with suitable evaluating device)
Designation	EN ISO 13849
Performance level (PL)	e (In conjunction with suitable evaluating device)
Category	4 (In conjunction with suitable evaluating device)
Designation	EN 62061

# Extension module - PSR-SCP-42-230UC/URM4/4X1/2X2B - 2902935

## Technical data

### Safety-related characteristic data

Safety Integrity Level Claim Limit (SIL CL)	3 (In conjunction with suitable evaluating device)
Designation	EN 50156
Safety Integrity Level (SIL)	3

### Standards and Regulations

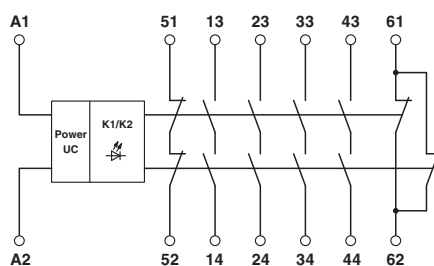
Shock	15g
Designation	Air clearances and creepage distances between the power circuits
Standards/regulations	DIN EN 50178/VDE 0160
Rated insulation voltage	250 V AC
Rated surge voltage/insulation	Basic insulation 4 kV: between all current paths and housing Safe isolation, reinforced insulation 6 kV: between A1/A2 and 13/14, 23/24, 33/34, 43/44 between 51/52, 61/62 and 13/14, 23/24, 33/34, 43/44 between A1/A2 and 51/52, 61/62
Degree of pollution	2
Overvoltage category	III
Vibration (operation)	10 Hz ...150 Hz, 2g
Conformance	CE-compliant

### Environmental Product Compliance

China RoHS	Environmentally Friendly Use Period = 50
	For details about hazardous substances go to tab "Downloads", Category "Manufacturer's declaration"

## Drawings

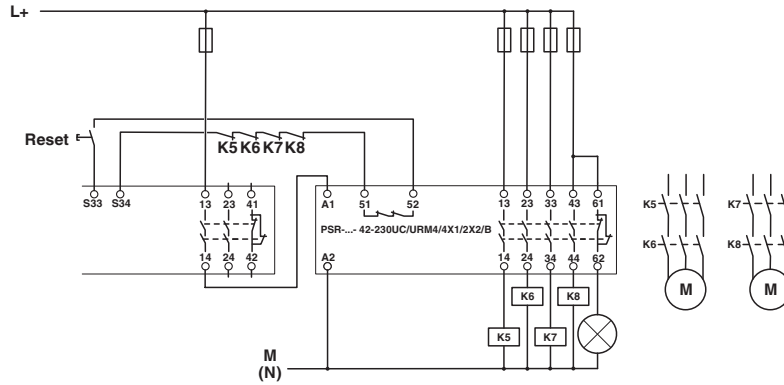
Block diagram



Block diagram

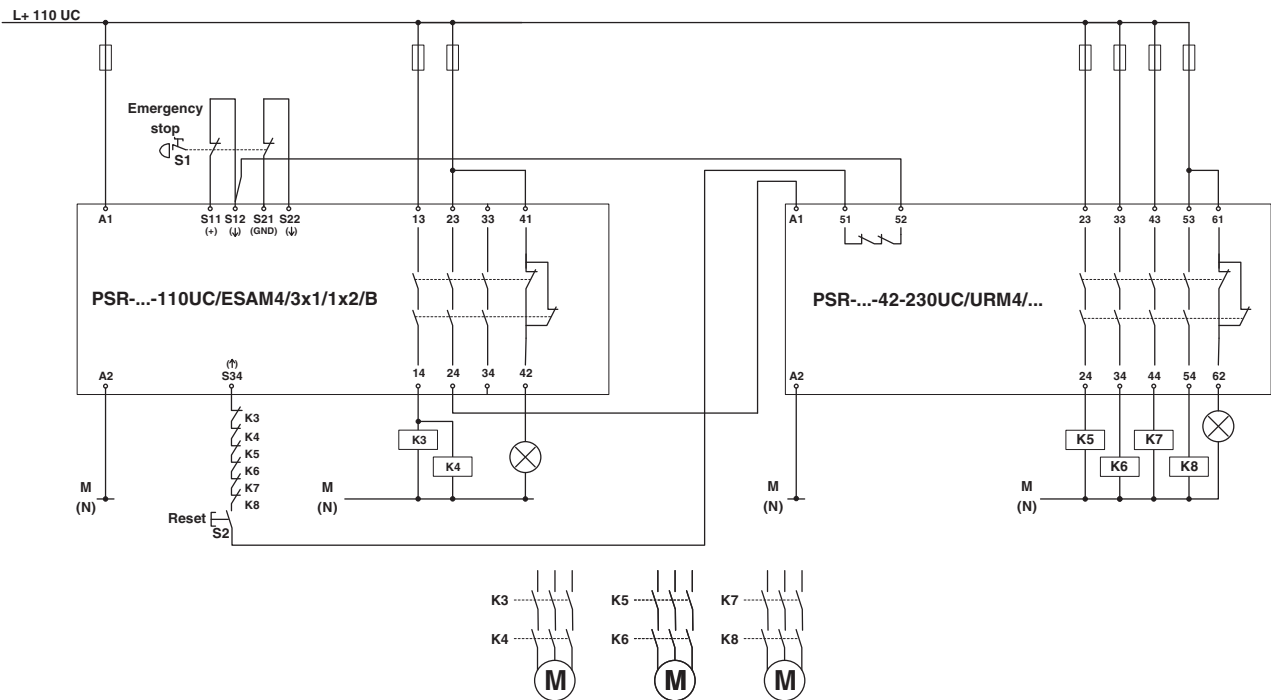
# Extension module - PSR-SCP-42-230UC/URM4/4X1/2X2B - 2902935

Application drawing



## Contact extension

Application drawing



Two-channel emergency stop monitoring with contact extension

Approvals

Approvals

# Extension module - PSR-SCP-42-230UC/URM4/4X1/2X2B - 2902935

## Approvals

---

### Approvals

UL Listed / cUL Listed / Functional Safety / EAC / cULus Listed

---

### Ex Approvals

---

### Approval details

UL Listed		<a href="http://database.ul.com/cgi-bin/XYV/template/LISEXT/1FRAME/index.htm">http://database.ul.com/cgi-bin/XYV/template/LISEXT/1FRAME/index.htm</a>	FILE E 140324
-----------	--	---	---------------

cUL Listed		<a href="http://database.ul.com/cgi-bin/XYV/template/LISEXT/1FRAME/index.htm">http://database.ul.com/cgi-bin/XYV/template/LISEXT/1FRAME/index.htm</a>	FILE E 140324
------------	--	---	---------------

Functional Safety			968/EZ 575.00/12
-------------------	--	--	------------------

EAC			RU C- DE.A*30.B.01082
-----	--	--	--------------------------

cULus Listed			
--------------	--	--	--

---

Phoenix Contact 2017 © - all rights reserved  
<http://www.phoenixcontact.com>

PHOENIX CONTACT GmbH & Co. KG  
Flachsmarktstr. 8  
32825 Blomberg  
Germany  
Tel. +49 5235 300  
Fax +49 5235 3 41200  
<http://www.phoenixcontact.com>