



Chipsmall Limited consists of a professional team with an average of over 10 year of expertise in the distribution of electronic components. Based in Hongkong, we have already established firm and mutual-benefit business relationships with customers from,Europe,America and south Asia,supplying obsolete and hard-to-find components to meet their specific needs.

With the principle of “Quality Parts,Customers Priority,Honest Operation,and Considerate Service”,our business mainly focus on the distribution of electronic components. Line cards we deal with include Microchip,ALPS,ROHM,Xilinx,Pulse,ON,Everlight and Freescale. Main products comprise IC,Modules,Potentiometer,IC Socket,Relay,Connector.Our parts cover such applications as commercial,industrial, and automotives areas.

We are looking forward to setting up business relationship with you and hope to provide you with the best service and solution. Let us make a better world for our industry!



## Contact us

Tel: +86-755-8981 8866 Fax: +86-755-8427 6832

Email & Skype: info@chipsmall.com Web: www.chipsmall.com

Address: A1208, Overseas Decoration Building, #122 Zhenhua RD., Futian, Shenzhen, China



# ST-OV3- 12DC/240AC/3


Order No.: 2903040

The illustration shows version ST-OV 3- 5 DC/240 AC/3



<http://eshop.phoenixcontact.de/phoenix/treeViewClick.do?UID=2903040>

Pluggable power optocoupler, with light indicator and protection circuits in the input and output circuits, input: 12 V DC, output: 24-280 V AC/max. 3 A, can be plugged on basic termination blocks

Commercial data	
GTIN (EAN)	 4 017918 078898
Note	Made-to-order
sales group	G102
Pack	10 pcs.
Customs tariff	85364190
Catalog page information	Page 92 (IF-2005)

### Product notes

WEEE/RoHS-compliant since:  
06/12/2007



<http://www.download.phoenixcontact.com>  
Please note that the data given here has been taken from the online catalog. For comprehensive information and data, please refer to the user documentation. The General Terms and Conditions of Use apply to Internet downloads.

## Technical data

Input data	
Nominal input voltage $U_N$	12 V DC $\pm 20\%$

Switching threshold "0" signal in reference to $U_N$	$\leq 0.4$
Switching threshold "1" signal in reference to $U_N$	$\geq 0.8$
Typical input current at $U_N$	7 mA
Typical response time	(switch-on time: Max. one half cycle - zero-voltage crossing)
Typical turn-off time	(switch-off time Max. one half cycle - zero-current crossing)
Operating voltage display	Yellow LED
Type of protection	Protection against polarity reversal
Protective circuit/component	Polarity protection diode
Transmission frequency	25 Hz

#### Output data

Output nominal voltage range	24 V AC ... 280 V AC
Limiting continuous current	3 A (see derating curve)
Min. load current	50 mA
Leakage current	5 mA (in off state - components with low minimum load and leakage currents on request.)
Surge current	35 A (t = 10 ms)
Max. load value	$6 \text{ A}^2\text{s}$ ( $I^2 \times t$ at t = 8.3 ms)
Peak offstate voltage	600 V (Periodic peak reverse voltage)
Voltage drop at max. limiting continuous current	1.5 V
Output circuit	2-wire, floating
Protective circuit/component	RC element

#### General data

Width	20.8 mm
Height	33 mm
Depth	66.5 mm
Test voltage input/output	2.5 kV AC
Ambient temperature (operation)	-20 °C ... 60 °C
Ambient temperature (storage/transport)	-20 °C ... 70 °C
Mounting position	Any
Standards/regulations	DIN VDE 0110

#### Certificates / Approvals



Certification

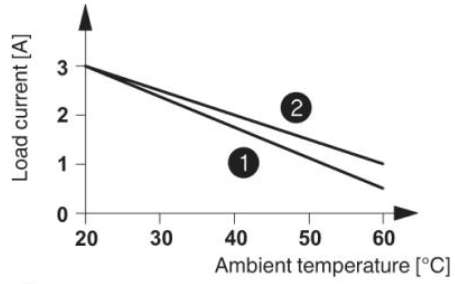
GOST

---

## Diagrams/Drawings

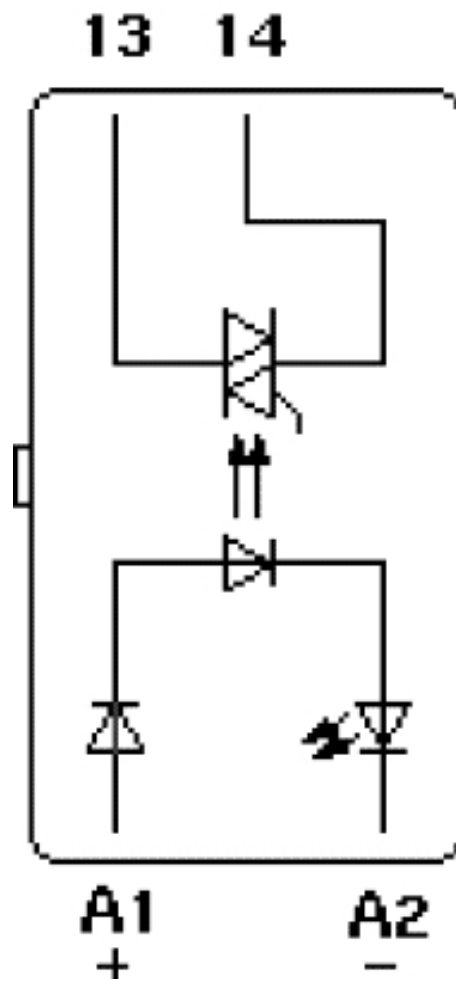
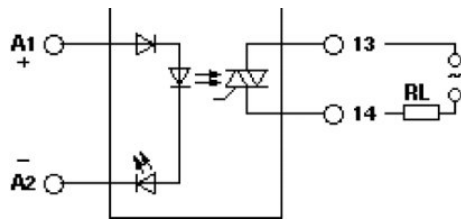
### Diagram

---



- ① In rows with zero spacing
- ② stand-alone device

Circuit diagram



**Address**

PHOENIX CONTACT Deutschland GmbH  
Flachmarktstr. 8  
32825 Blomberg, Germany  
Phone +49 5235 3 12000  
Fax +49 5235 3 41200  
<http://www.phoenixcontact.de>



© 2011 Phoenix Contact  
Technical modifications reserved;