



Chipsmall Limited consists of a professional team with an average of over 10 year of expertise in the distribution of electronic components. Based in Hongkong, we have already established firm and mutual-benefit business relationships with customers from,Europe,America and south Asia,supplying obsolete and hard-to-find components to meet their specific needs.

With the principle of “Quality Parts,Customers Priority,Honest Operation,and Considerate Service”,our business mainly focus on the distribution of electronic components. Line cards we deal with include Microchip,ALPS,ROHM,Xilinx,Pulse,ON,Everlight and Freescale. Main products comprise IC,Modules,Potentiometer,IC Socket,Relay,Connector.Our parts cover such applications as commercial,industrial, and automotives areas.

We are looking forward to setting up business relationship with you and hope to provide you with the best service and solution. Let us make a better world for our industry!



Contact us

Tel: +86-755-8981 8866 Fax: +86-755-8427 6832

Email & Skype: info@chipsmall.com Web: www.chipsmall.com

Address: A1208, Overseas Decoration Building, #122 Zhenhua RD., Futian, Shenzhen, China



Cable for programming - RAD-CABLE-USB - 2903447

Please be informed that the data shown in this PDF Document is generated from our Online Catalog. Please find the complete data in the user's documentation. Our General Terms of Use for Downloads are valid (<http://phoenixcontact.com/download>)




Radioline - USB data cable for communication between the PC and Radioline devices, energy supply for diagnostics and configuration via the USB port of the PC, cable length: 2 m / 6.5 ft

Why buy this product

- Power supply for diagnostics and configuration via the USB port of the PC

Key Commercial Data

| | |
|--------------|---|
| Packing unit | 1 STK |
| GTIN |  4 046356 739429 |
| GTIN | 4046356739429 |

Technical data

Dimensions

| | |
|--------------------|-----|
| Fixed cable length | 2 m |
|--------------------|-----|

Ambient conditions

| | |
|---|--------------------------------------|
| Ambient temperature (operation) | -25 °C ... 70 °C (-13 °F ... 158 °F) |
| Ambient temperature (storage/transport) | -40 °C ... 85 °C (-40 °F ... 185 °F) |

General

| | |
|-------------------|-------------------|
| Connection 1 | PC side |
| | IFS (male) |
| Connection method | USB 2.0 Fullspeed |
| Note | serial |
| Connection 2 | Device side |
| | USB type A (male) |
| Connection method | IFS data port |

Standards and Regulations

| | |
|-------------------------------|---|
| Electromagnetic compatibility | Conformance with EMC Directive 2014/30/EU |
|-------------------------------|---|

Cable for programming - RAD-CABLE-USB - 2903447

Technical data

Standards and Regulations

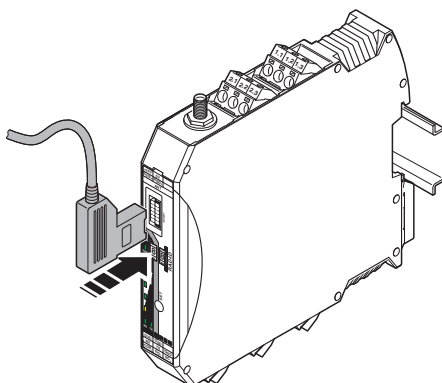
| | |
|----------------|--------------|
| Noise emission | EN 61000-6-4 |
| Noise immunity | EN 61000-6-2 |

Environmental Product Compliance

| | |
|------------|---|
| REACH SVHC | Lead 7439-92-1 |
| China RoHS | Environmentally friendly use period: unlimited = EFUP-e |
| | No hazardous substances above threshold values |

Drawings

Schematic diagram



Example application

Approvals

Approvals

Approvals

EAC

Ex Approvals

Approval details

| | | |
|-----|--|---------------|
| EAC | | EAC-Zulassung |
|-----|--|---------------|

Phoenix Contact 2018 © - all rights reserved
<http://www.phoenixcontact.com>

PHOENIX CONTACT GmbH & Co. KG
Flachsmarktstr. 8
32825 Blomberg
Germany
Tel. +49 5235 300
Fax +49 5235 3 41200
<http://www.phoenixcontact.com>