



Chipsmall Limited consists of a professional team with an average of over 10 year of expertise in the distribution of electronic components. Based in Hongkong, we have already established firm and mutual-benefit business relationships with customers from,Europe,America and south Asia,supplying obsolete and hard-to-find components to meet their specific needs.

With the principle of “Quality Parts,Customers Priority,Honest Operation,and Considerate Service”,our business mainly focus on the distribution of electronic components. Line cards we deal with include Microchip,ALPS,ROHM,Xilinx,Pulse,ON,Everlight and Freescale. Main products comprise IC,Modules,Potentiometer,IC Socket,Relay,Connector.Our parts cover such applications as commercial,industrial, and automotives areas.

We are looking forward to setting up business relationship with you and hope to provide you with the best service and solution. Let us make a better world for our industry!



Contact us

Tel: +86-755-8981 8866 Fax: +86-755-8427 6832

Email & Skype: info@chipsmall.com Web: www.chipsmall.com

Address: A1208, Overseas Decoration Building, #122 Zhenhua RD., Futian, Shenzhen, China



SMS relay - TC MOBILE I/O X200 - 2903805

Please be informed that the data shown in this PDF Document is generated from our Online Catalog. Please find the complete data in the user's documentation. Our General Terms of Use for Downloads are valid (<http://phoenixcontact.com/download>)



Successor to the SMS relay: monitor analog and digital values via the mobile communication network, and switch relay outputs remotely. Communication is via SMS or GPRS (e-mail). Supply voltage range of 10 V ... 60 V DC.

Product Description

The compact TC MOBILE I/O X200 AC signaling system is the successor to the PSI-MODEM-SMS-RELAY/6ADI/4DO/DC SMS relay (Order No. 2313520) and is used to monitor analog and digital values via the mobile communication network and switch relay outputs remotely. A USB connection to a computer and a web browser is all that is needed for configuration. The device features numerous helpful software functions, such as mobile communication diagnostics, sending of log books via e-mail, and different user roles.

Product Features

- Notification via SMS on change of status at input
- SMS status query of all inputs and outputs
- SMS relay for remote control of outputs
- Alarm generation on voltage failure via SMS
- GSM mobile phone network: 850, 900, 1800, and 1900 MHz
- Switching of outputs for a predefined time
- Communication via SMS and e-mail
- Two analog inputs
- Configuration via USB and web browser
- Compact design: 4 pitches (DIN 43880)



Key Commercial Data

Packing unit	1 pc
Weight per Piece (excluding packing)	260.0 g
Custom tariff number	85176200
Country of origin	Germany

SMS relay - TC MOBILE I/O X200 - 2903805

Technical data

Note

Utilization restriction	EMC: class A product, see manufacturer's declaration in the download area
-------------------------	---

Dimensions

Width	72 mm
Height	90 mm
Depth	62 mm

Ambient conditions

Ambient temperature (operation)	-25 °C ... 70 °C (for derating, see technical documentation)
Ambient temperature (storage/transport)	-40 °C ... 85 °C
Permissible humidity (operation)	0 % ... 95 %
Altitude	2000 m
Degree of protection	IP20

General

Standards/regulations	EN 50121-4
Electromagnetic compatibility	Conformance with EMC Directive 2004/108/EC
Net weight	253 g
Housing material	Polycarbonate
MTTF	164 Years (SN 29500 standard, temperature 25°C, operating cycle 21 % (5 days a week, 8 hours a day))
	337 Years (SN 29500 standard, temperature 40 °C, operating cycle 34.25 % (5 days a week, 12 hours a day))
	848 Years (SN 29500 standard, temperature 40°C, operating cycle 100 % (7 days a week, 24 hours a day))
Conformance	CE-compliant
ATEX	# II 3 G Ex nA nC IIC T4 Gc X (Please follow the special installation instructions in the documentation!)

Power supply

Supply voltage range	10 V DC ... 60 V DC
Max. current consumption	175 mA
Typical current consumption	110 mA (24 V DC)
	40 mA (stand by)

Serial interface

Interface 1	USB 2.0
Connection method	Mini-USB type B, 5-pos.
Transmission length	≤ 3 m (only for configuration and diagnostics)

Radio interface

SMS relay - TC MOBILE I/O X200 - 2903805

Technical data

Radio interface

Interface description	GSM
Frequency	850 MHz (2 W (EGSM))
	900 MHz (2 W (EGSM))
	1800 MHz (1 W (EGSM))
	1900 MHz (1 W (EGSM))
EDGE	Multislot Class 10

Digital outputs

Output name	Relay output
Number of outputs	4
Contact type	N/O contact
Minimum switching voltage	5 V
Maximum switching voltage	60 V
Limiting continuous current	6 A
Switching capacity	1500 VA
Electrical service life	100000 cycles (5 A, ohmic load)
	200000 cycles (2 A, $\cos\phi = 0.4$)

Digital inputs

Description of the input	Digital input
Number of inputs	4
Switching threshold "0" signal in reference to U_N	≤ 0.3
Switching threshold "1" signal in reference to U_N	≥ 0.7

Analog inputs

Description of the input	Analog input
Number of inputs	2
Input signal	Current or voltage
Voltage input signal	0 V DC ... 60 V DC
Current input signal	0 mA ... 20 mA
	4 mA ... 20 mA (configurable)
Input impedance	600 k Ω (Voltage inputs)
	50 Ω (Current inputs)
Precision	$\pm 0.1 \%$
Resolution	15 Bit

SMS relay - TC MOBILE I/O X200 - 2903805

Classifications

eCl@ss

eCl@ss 4.0	27250312
eCl@ss 4.1	27250312
eCl@ss 5.0	27242208
eCl@ss 5.1	27242208
eCl@ss 6.0	27242208
eCl@ss 7.0	27242208
eCl@ss 8.0	19179290

ETIM

ETIM 3.0	EC000310
ETIM 4.0	EC000310
ETIM 5.0	EC001604

UNSPSC

UNSPSC 6.01	30211506
UNSPSC 7.0901	39121008
UNSPSC 11	39121008
UNSPSC 12.01	39121008
UNSPSC 13.2	43201553

Approvals

Approvals

Approvals

UL Listed / cUL Listed / cULus Listed

Ex Approvals

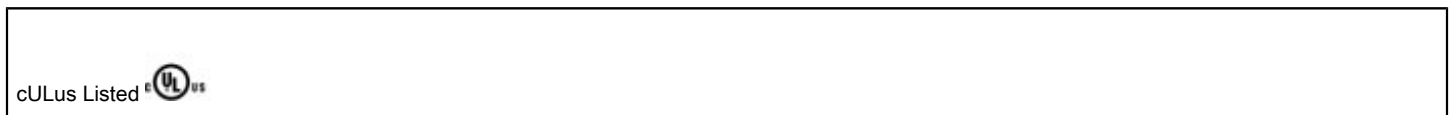
ATEX

Approvals submitted

Approval details

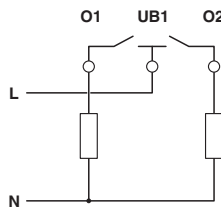
SMS relay - TC MOBILE I/O X200 - 2903805

Approvals

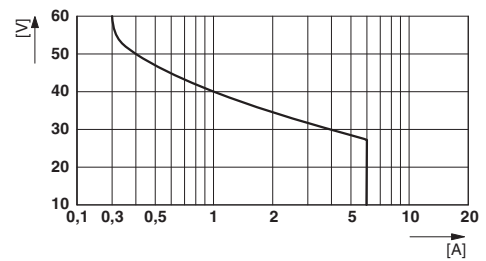


Drawings

Connection diagram



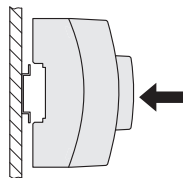
Diagram



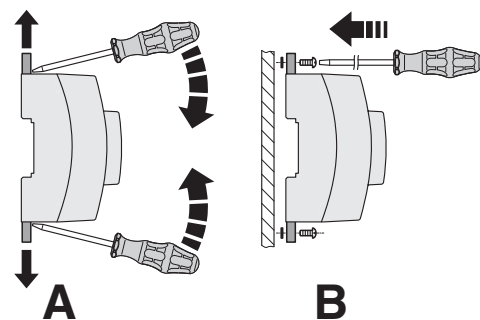
Floating relay contacts

Relay load curve - ohmic load

Schematic diagram



Schematic diagram

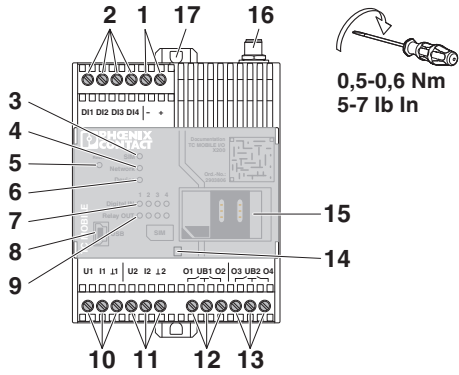


DIN rail mounting

Wall mounting

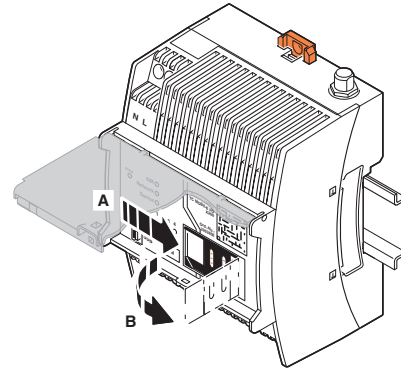
SMS relay - TC MOBILE I/O X200 - 2903805

Schematic diagram



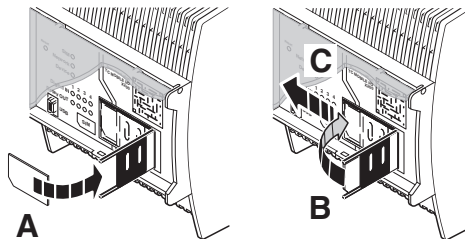
Front view

Schematic diagram



Insert the SIM card

Schematic diagram



Insert the SIM card