



Chipsmall Limited consists of a professional team with an average of over 10 year of expertise in the distribution of electronic components. Based in Hongkong, we have already established firm and mutual-benefit business relationships with customers from,Europe,America and south Asia,supplying obsolete and hard-to-find components to meet their specific needs.

With the principle of “Quality Parts,Customers Priority,Honest Operation,and Considerate Service”,our business mainly focus on the distribution of electronic components. Line cards we deal with include Microchip,ALPS,ROHM,Xilinx,Pulse,ON,Everlight and Freescale. Main products comprise IC,Modules,Potentiometer,IC Socket,Relay,Connector.Our parts cover such applications as commercial,industrial, and automotives areas.

We are looking forward to setting up business relationship with you and hope to provide you with the best service and solution. Let us make a better world for our industry!



Contact us

Tel: +86-755-8981 8866 Fax: +86-755-8427 6832

Email & Skype: info@chipsmall.com Web: www.chipsmall.com

Address: A1208, Overseas Decoration Building, #122 Zhenhua RD., Futian, Shenzhen, China



Cable - VIP-CAB-FLK14/16/6,0M/S7 - 2904522

Please be informed that the data shown in this PDF Document is generated from our Online Catalog. Please find the complete data in the user's documentation. Our General Terms of Use for Downloads are valid (<http://phoenixcontact.com/download>)



Round cable set for SIMATIC® TOP connect with 1 x IDC/FLK socket strip (16-position) on 1 x IDC/FLK socket strip (14-position), Cable length: 6 m

RoHS

Key Commercial Data

| | |
|--------------|---------------|
| Packing unit | 1 STK |
| GTIN | |
| GTIN | 4046356859349 |

Technical data

General

| | |
|---|---|
| Nominal voltage U_N | < 50 V AC |
| | 60 V DC |
| Max. current carrying capacity per path | 1 A |
| Max. conductor resistance | 0.16 Ω /m |
| Length of cable | 6 m |
| Single wire, cross section | 0.14 mm ² |
| Single wire, cross section [AWG] | 26 |
| Conductor construction: Number of litz wires: | 7 |
| Single wire, material | Cu tin-plated |
| External diameter | 6.4 mm |
| Cable, preassembly | Insulation displacement, IEC 60352-4/DIN EN 60352-4 |
| Shielding | no |
| Outer sheath, material | PVC |
| External sheath, color | gray RAL 7035 |

Environmental conditions

| | |
|---|------------------|
| Ambient temperature (operation) | -20 °C ... 50 °C |
| Ambient temperature (storage/transport) | -20 °C ... 70 °C |

Cable - VIP-CAB-FLK14/16/6,0M/S7 - 2904522

Technical data

Environmental conditions

| | |
|---------------------|-----------------------------|
| Flame resistance | IEC 60332-1 |
| | DIN VDE 0482 Part 332-1 |
| Resistance to oil | UL 1581 |
| Gasoline resistance | Against occasional splashes |

Connector 1

| | |
|-----------------------|----------------------|
| Connection name | Field level |
| Connection method | IDC/FLK socket strip |
| Number of connections | 1 |
| Number of positions | 14 |
| Pitch | 2.54 mm |

Connector 2

| | |
|-----------------------|----------------------|
| Connection name | Controller level |
| Connection method | IDC/FLK socket strip |
| Number of connections | 1 |
| Number of positions | 16 |
| Pitch | 2.54 mm |

Supported controller

| | |
|------------|---------------------|
| Controller | SIEMENS TOP connect |
|------------|---------------------|

Standards and Regulations

| | |
|----------------------------------|-------------------------|
| Resistance to oil | UL 1581 |
| Connection in acc. with standard | CUL |
| Flame resistance | IEC 60332-1 |
| | DIN VDE 0482 Part 332-1 |

Environmental Product Compliance

| | |
|------------|---|
| China RoHS | Environmentally Friendly Use Period = 50 |
| | For details about hazardous substances go to tab "Downloads", Category "Manufacturer's declaration" |

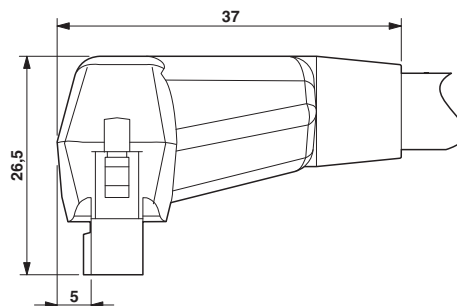
Drawings

Cable - VIP-CAB-FLK14/16/6,0M/S7 - 2904522

Connection diagram

| 14-pos. Socket strip PIN | 16-pos. Socket strip PIN | Wire color |
|--------------------------------|--------------------------------|--------------|
| 1 | 16 | Black |
| 2 | 14 | Brown |
| 3 | 12 | Red |
| 4 | 10 | Orange |
| 5 | 8 | Yellow |
| 6 | 6 | Green |
| 7 | 4 | Blue |
| 8 | 2 | Violet |
| 9 | 9 | Gray |
| 10 | 1 | White |
| 11 | 11 | White-black |
| 12 | 3 | White-brown |
| 13 | 13 | White-red |
| 14 | 5 | White-orange |
| | 7 | - |
| | 15 | - |

Dimensional drawing



Pin assignment and color code

Approvals

Approvals

Approvals

EAC / UL Listed / cUL Listed / cULus Listed

Ex Approvals

Approval details

| | | |
|-----|--|-------------------------|
| EAC | | RU C- DE.A*30.B00767 |
|-----|--|-------------------------|

| | | | |
|--------------------------------|--|---|---------------|
| UL Listed | | http://database.ul.com/cgi-bin/XYV/template/LISEXT/1FRAME/index.htm | FILE E 238705 |
| Nominal current I _N | | 1 A | |
| Nominal voltage U _N | | 125 V | |

| | | | |
|--------------------------------|--|---|---------------|
| cUL Listed | | http://database.ul.com/cgi-bin/XYV/template/LISEXT/1FRAME/index.htm | FILE E 238705 |
| Nominal current I _N | | 1 A | |

Cable - VIP-CAB-FLK14/16/6,0M/S7 - 2904522

Approvals

| | |
|--------------------|-------|
| Nominal voltage UN | 125 V |
|--------------------|-------|

| | |
|--------------|---|
| cULus Listed |  |
|--------------|---|

Phoenix Contact 2017 © - all rights reserved
<http://www.phoenixcontact.com>

PHOENIX CONTACT GmbH & Co. KG
Flachsmarktstr. 8
32825 Blomberg
Germany
Tel. +49 5235 300
Fax +49 5235 3 41200
<http://www.phoenixcontact.com>