



Chipsmall Limited consists of a professional team with an average of over 10 year of expertise in the distribution of electronic components. Based in Hongkong, we have already established firm and mutual-benefit business relationships with customers from,Europe,America and south Asia,supplying obsolete and hard-to-find components to meet their specific needs.

With the principle of “Quality Parts,Customers Priority,Honest Operation,and Considerate Service”,our business mainly focus on the distribution of electronic components. Line cards we deal with include Microchip,ALPS,ROHM,Xilinx,Pulse,ON,Everlight and Freescale. Main products comprise IC,Modules,Potentiometer,IC Socket,Relay,Connector.Our parts cover such applications as commercial,industrial, and automotives areas.

We are looking forward to setting up business relationship with you and hope to provide you with the best service and solution. Let us make a better world for our industry!



## Contact us

Tel: +86-755-8981 8866 Fax: +86-755-8427 6832

Email & Skype: info@chipsmall.com Web: www.chipsmall.com

Address: A1208, Overseas Decoration Building, #122 Zhenhua RD., Futian, Shenzhen, China



## Active module - UM-D37M/16RSC-24DC/DO/C300/L - 2905655

Please be informed that the data shown in this PDF Document is generated from our Online Catalog. Please find the complete data in the user's documentation. Our General Terms of Use for Downloads are valid (<http://phoenixcontact.com/download>)

VARIOFACE 16-channel module intended for use with Honeywell Experion C300 24V digital IOTA



Picture shows right-hand version

### Product Features

- UM-PRO housing
- DIN rail mounting, includes grounding foot
- Designed to be mounted in the left side of the cabinet
- Per channel pluggable 3 A fusing
- LED blown fuse indication
- Per channel configuration for NO or NC contacts



### Key Commercial Data

Packing unit	1 pc
Weight per Piece (excluding packing)	12.8 g
Custom tariff number	85369010
Country of origin	United States

### Technical data

#### Note

Utilization restriction	EMC: class A product, see manufacturer's declaration in the download area
-------------------------	---

#### Dimensions

Width	184 mm
Height	142.3 mm
Depth	64.7 mm

## Active module - UM-D37M/16RSC-24DC/DO/C300/L - 2905655

### Technical data

#### Ambient conditions

Ambient temperature (operation)	-40 °C ... 70 °C
Ambient temperature (storage/transport)	-40 °C ... 70 °C

#### Input data

Nominal input voltage $U_N$	24 V DC
Input voltage range in reference to $U_N$	0.8 ... 1.1
Typical input current at $U_N$	7 mA
Type of protection	Free-wheeling diode
Protective circuit/component	Damping diode

#### Output data

Contact type	1 PDT
Contact material	AgSnO
Maximum switching voltage	120 V AC 28 V DC
Minimum switching voltage	12 V
Limiting continuous current	3 A (fuse limited)
Min. switching current	10 mA

#### General

With components	Yes
Mechanical service life	$2 \times 10^7$ cycles
Operating mode	100% operating factor
Degree of protection	IP20

#### Connection data for connection 1

Connection name	Controller level
Connection method	D-SUB connector
Number of connections	1
Number of positions	37

#### Connection data for connection 2

Connection name	Field level
Connection method	Screw connection
Stripping length	8 mm
Screw thread	M3
Conductor cross section solid	0.2 mm <sup>2</sup> ... 4 mm <sup>2</sup>
Conductor cross section flexible	0.2 mm <sup>2</sup> ... 2.5 mm <sup>2</sup>
AWG conductor cross section	24 ... 12
Number of connections	32

## Active module - UM-D37M/16RSC-24DC/DO/C300/L - 2905655

### Technical data

#### Supported controller

Corresponding control	HONEYWELL Experion PKS C300/C-Series
Corresponding I/O card	CX-TDOB01
	CX-TDOB11
	CX-TDOB51
	CX-TDOB61
	8X-TDODA1
	8X-TDODB1

### Classifications

#### eCl@ss

eCl@ss 4.0	27371104
eCl@ss 4.1	27371104
eCl@ss 5.0	27371001
eCl@ss 5.1	27371001
eCl@ss 6.0	27371001
eCl@ss 7.0	27371601
eCl@ss 8.0	27371601

#### ETIM

ETIM 2.0	EC000196
ETIM 3.0	EC000196
ETIM 4.0	EC000196
ETIM 5.0	EC001437

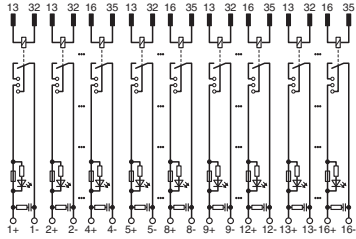
#### UNSPSC

UNSPSC 6.01	30211916
UNSPSC 7.0901	39121515
UNSPSC 11	39121515
UNSPSC 12.01	39121515
UNSPSC 13.2	39121515

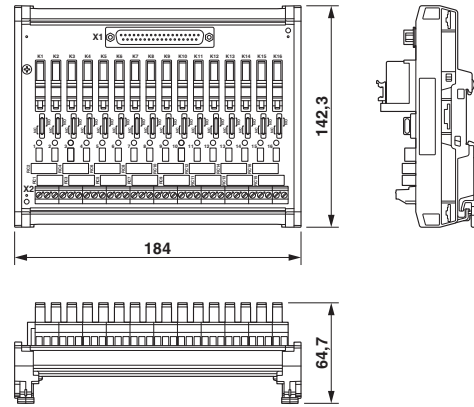
### Drawings

# Active module - UM-D37M/16RSC-24DC/DO/C300/L - 2905655

Circuit diagram



Dimensional drawing



Dimensional drawing of right-hand version