



Chipsmall Limited consists of a professional team with an average of over 10 year of expertise in the distribution of electronic components. Based in Hongkong, we have already established firm and mutual-benefit business relationships with customers from,Europe,America and south Asia,supplying obsolete and hard-to-find components to meet their specific needs.

With the principle of "Quality Parts,Customers Priority,Honest Operation,and Considerate Service",our business mainly focus on the distribution of electronic components. Line cards we deal with include Microchip,ALPS,ROHM,Xilinx,Pulse,ON,Everlight and Freescale. Main products comprise IC,Modules,Potentiometer,IC Socket,Relay,Connector.Our parts cover such applications as commercial,industrial, and automotives areas.

We are looking forward to setting up business relationship with you and hope to provide you with the best service and solution. Let us make a better world for our industry!



## Contact us

Tel: +86-755-8981 8866 Fax: +86-755-8427 6832

Email & Skype: info@chipsmall.com Web: www.chipsmall.com

Address: A1208, Overseas Decoration Building, #122 Zhenhua RD., Futian, Shenzhen, China



## Interface module - UM-D37M/DS/FU/LED/AO/C3/L C - 2906188

Please be informed that the data shown in this PDF Document is generated from our Online Catalog. Please find the complete data in the user's documentation. Our General Terms of Use for Downloads are valid (<http://phoenixcontact.com/download>)



16-channel module for Honeywell C300 analog output cards with disconnect, test points, socketed 500 mA fuses and fuse status indicator.

### Why buy this product

- These VARIOFACE modules are used in combination with the relevant front adapters
- Per channel pluggable 500 mA fusing
- Per channel disconnects with test points
- Conformal coating of PCB
- LED blown fuse indication
- Din rail mounting, includes grounding foot
- Per channel shield connection
- UM-PRO housing



### Key Commercial Data

Packing unit	1 STK
Weight per Piece (excluding packing)	350.000 g
Custom tariff number	85369010
Country of origin	United States

### Technical data

#### Dimensions

Width	104 mm
Height	142.3 mm
Depth	79 mm

#### Ambient conditions

Ambient temperature (operation)	-40 °C ... 60 °C
---------------------------------	------------------

## Interface module - UM-D37M/DS/FU/LED/AO/C3/L C - 2906188

### Technical data

#### Ambient conditions

Ambient temperature (storage/transport)	-40 °C ... 75 °C
---	------------------

#### General

Max. perm. operating voltage	24 V DC
Max. perm. current (per branch)	500 mA (fuse limited)
Max. permissible current (separate power supply)	4 A (via D-SUB)
Number of positions	37
Status display	No
Mounting position	any
Assembly instructions	In rows with zero spacing
Standards/regulations	DIN EN 50178

#### Connection data for connection 1

Connection name	Field level
Connection method	Screw connection with disconnect knife
Stripping length	8 mm
Screw thread	M 3
Conductor cross section solid	0.2 mm <sup>2</sup> ... 4 mm <sup>2</sup>
Conductor cross section flexible	0.2 mm <sup>2</sup> ... 2.5 mm <sup>2</sup>
Conductor cross section AWG	24 ... 12

#### Connection data for connection 2

Connection name	Controller level
Connection method	D-SUB pin strip
Number of connections	1
Number of positions	37

#### Supported controller

Controller	Honeywell Experion PKS C300
- suitable I/O card	CX-TAOX01
	CX-TAOX11
	CX-TAON01
	CX-TAON11
Controller	Honeywell Experion LX Series 8
- suitable I/O card	8X-TAOXA1
	8X-TAOXB1

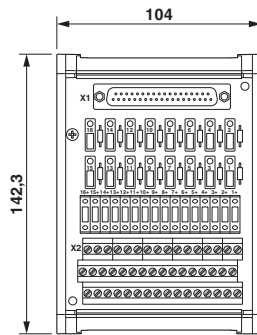
#### Standards and Regulations

Standards/regulations	DIN EN 50178
-----------------------	--------------

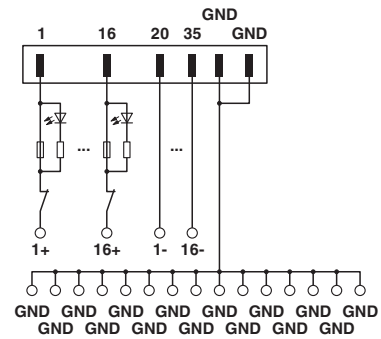
# Interface module - UM-D37M/DS/FU/LED/AO/C3/L C - 2906188

## Drawings

Dimensional drawing



Circuit diagram



## Classifications

### eCl@ss

eCl@ss 5.1	27250313
eCl@ss 6.0	27242608
eCl@ss 8.0	27141152
eCl@ss 9.0	27141152

### ETIM

ETIM 4.0	EC002780
ETIM 5.0	EC002780

## Approvals

### Approvals

#### Approvals

UL Recognized / cUL Recognized / cULus Recognized

#### Ex Approvals


### Approval details


UL Recognized <http://database.ul.com/cgi-bin/XYV/template/LISEXT/1FRAME/index.htm> FILE E 238705



## Interface module - UM-D37M/DS/FU/LED/AO/C3/L C - 2906188

### Approvals

cUL Recognized  <http://database.ul.com/cgi-bin/XYV/template/LISEXT/1FRAME/index.htm> FILE E 238705

cULus Recognized  <http://database.ul.com/cgi-bin/XYV/template/LISEXT/1FRAME/index.htm>

### Accessories

#### Accessories

#### System cable

Cable - CABLE-D37SUB/B/B/ 100/KONFEK/S - 2305509



Assembled shielded round cable with 1 x D-SUB socket strip (37-position) on 1 x D-SUB socket strip (37-position), Cable length: 1 m

Cable - CABLE-D37SUB/B/B/ 200/KONFEK/S - 2305512



Assembled shielded round cable with 1 x D-SUB socket strip (37-position) on 1 x D-SUB socket strip (37-position), Cable length: 2 m

Cable - CABLE-D37SUB/B/B/ 300/KONFEK/S - 2305525



Assembled shielded round cable with 1 x D-SUB socket strip (37-position) on 1 x D-SUB socket strip (37-position), Cable length: 3 m

## Interface module - UM-D37M/DS/FU/LED/AO/C3/L C - 2906188

### Accessories

Cable - CABLE-D37SUB/B/B/ 400/KONFEK/S - 2900759



Assembled shielded round cable with 1 x D-SUB socket strip (37-position) on 1 x D-SUB socket strip (37-position), Cable length: 4 m

---

Cable - CABLE-D37SUB/B/B/ 600/KONFEK/S - 2900760



Assembled shielded round cable with 1 x D-SUB socket strip (37-position) on 1 x D-SUB socket strip (37-position), Cable length: 6 m

---

Cable - CABLE-D37SUB/B/B/ 800/KONFEK/S - 2900761



Assembled shielded round cable with 1 x D-SUB socket strip (37-position) on 1 x D-SUB socket strip (37-position), Cable length: 8 m

---

Cable - CABLE-D37SUB/B/B/1000/KONFEK/S - 2900762



Assembled shielded round cable with 1 x D-SUB socket strip (37-position) on 1 x D-SUB socket strip (37-position), Cable length: 10 m

---

Cable - CABLE-D37SUB/B/B/1500/KONFEK/S - 2900763



Assembled shielded round cable with 1 x D-SUB socket strip (37-position) on 1 x D-SUB socket strip (37-position), Cable length: 15 m

---

## Interface module - UM-D37M/DS/FU/LED/AO/C3/L C - 2906188

### Accessories

Cable - CABLE-D37SUB/B/B/2000/KONFEK/S - 2900764



Assembled shielded round cable with 1 x D-SUB socket strip (37-position) on 1 x D-SUB socket strip (37-position), Cable length: 20 m

---

### Necessary add-on products

Front adapters - FLKM-PA-D37/HW/AN/C300 - 2900622



VARIOFACE front adapters, for Honeywell C300, series C I/O, max. 1 x 16 channels (37-pos. D-SUB connector) can be connected

---

### Spare parts

Fuse - FUSE/TE5/500MA/F-10PCS - 2905276



Plug-in fuse (TE5<sup>®</sup>); nominal current: 500 mA; tripping behavior: fast-blow (F)