



Chipsmall Limited consists of a professional team with an average of over 10 year of expertise in the distribution of electronic components. Based in Hongkong, we have already established firm and mutual-benefit business relationships with customers from,Europe,America and south Asia,supplying obsolete and hard-to-find components to meet their specific needs.

With the principle of "Quality Parts,Customers Priority,Honest Operation,and Considerate Service",our business mainly focus on the distribution of electronic components. Line cards we deal with include Microchip,ALPS,ROHM,Xilinx,Pulse,ON,Everlight and Freescale. Main products comprise IC,Modules,Potentiometer,IC Socket,Relay,Connector.Our parts cover such applications as commercial,industrial, and automotives areas.

We are looking forward to setting up business relationship with you and hope to provide you with the best service and solution. Let us make a better world for our industry!



## Contact us

Tel: +86-755-8981 8866 Fax: +86-755-8427 6832

Email & Skype: info@chipsmall.com Web: www.chipsmall.com

Address: A1208, Overseas Decoration Building, #122 Zhenhua RD., Futian, Shenzhen, China



## Electronic housing - ME 22,5 UT GN - 2907130

Please be informed that the data shown in this PDF Document is generated from our Online Catalog. Please find the complete data in the user's documentation. Our General Terms of Use for Downloads are valid (<http://download.phoenixcontact.com>)



Lower part of housing, fully assembled, with metal foot catch.

### Why buy this product

- Tool-free mounting
- Low design width with a high number of positions
- Large assembly area
- Same PCB geometry for all design widths
- Recessed labeling areas
- Inflammability class V0 according to UL 94
- Fast mounting on DIN rails according to EN 60715
- Material and part identification embossed on the housing (recyclability)
- Cost savings thanks to easy device production
- Functional earth ground contact (EMC) integrated in the housing base
- Electronic components can be partially removed
- Metal foot catch
- Optional BUS connection integrated in the housing, for either parallel or serial contacting



### Key commercial data

Packing unit	1
Minimum order quantity	10
Catalog page	Page 601 (CC-2011)
GTIN	 4 017918 126629
Custom tariff number	85369010
Country of origin	GERMANY

### Technical data

#### General

Housing type	Component housing
Housing material	Polyamide
Color	green

# Electronic housing - ME 22,5 UT GN - 2907130

## Technical data

### Dimensions / positions

Length	99 mm
Constructional height	114.5 mm
Width	22.5 mm
Number of positions	16
Number of positions	24

### Technical data

Ambient temperature (operation)	-40 °C ... 105 °C
Inflammability class according to UL 94	V0
Power dissipation at 20°C in the horizontal mounting position	6.1 W 12.1 W

## Classifications

### ETIM

ETIM 2.0	EC001031
ETIM 3.0	EC001031
ETIM 4.0	EC001031
ETIM 5.0	EC001031

### UNSPSC

UNSPSC 11	31261501
UNSPSC 12.01	31261501
UNSPSC 13.2	31261501
UNSPSC 6.01	31261501
UNSPSC 7.0901	31261501

### eCl@ss

eCl@ss 4.0	27180401
eCl@ss 4.1	27180401
eCl@ss 5.0	27180506
eCl@ss 5.1	27180506
eCl@ss 6.0	27180802
eCl@ss 7.0	27182702

## Approvals

### Approvals

---

Approvals

UL Recognized

---

Ex Approvals

## Electronic housing - ME 22,5 UT GN - 2907130


### Approvals

---

Approvals submitted

---

### Approval details

UL Recognized 

### Accessories

Accessories

Assembly

Electronic housing - ME 45 UTM GN - 2853404



Intermediate element for modular extension of the volume of the housing in the pitch. The open intermediate element is 22.5 mm wide.

---

Electronic housing - ME 45 UTMG GN - 2853417



Intermediate element for modular extension of the volume of the housing in the pitch. The closed intermediate element is 22.5 mm wide.

---

Electronic housing - ME-SAS - 2853899



Shield connection clamp for printed circuit terminal block

---

Electronic housing - ME LPZS - 2906911



PCB stop, for soldering onto PCB

---

## Electronic housing - ME 22,5 UT GN - 2907130

### Accessories

Electronic housing - ME B-22,5 MKDSO GN - 2907143



Filler plugs, for unoccupied terminal points

---

Electronic housing - ME B-22,5 MSTBO GN - 2907156



Filler plugs, for unoccupied terminal points

---

Electronic housing - ME MF 17,5 - 2908281



Metal foot catch, for intermediate elements.

---

Electronic housing - ME B-12,5 3MSTBO GN - 2709176

Filler plugs, for unoccupied terminal points

---

Electronic housing - ME MF 17,5 - 2908281



Metal foot catch, for intermediate elements.

---

Electronic housing - ME 45 UTM GN - 2853404



Intermediate element for modular extension of the volume of the housing in the pitch. The open intermediate element is 22.5 mm wide.

---

### Plug/Adapter

## Electronic housing - ME 22,5 UT GN - 2907130

### Accessories

Keying star - CR-MSTB - 1734401



Coding section, inserted into the recess in the header or the inverted plug, red insulating material

---

Coding profile - CP-MSTB - 1734634



Keying profile, is inserted into the slot on the plug or inverted header, red insulating material

---

Electronic housing - ME FE-CONTACT - 2908294



Functional earth ground contact, for intermediate elements.

---

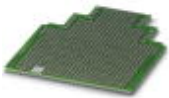
Electronic housing - ME FE-CONTACT - 2908294



Functional earth ground contact, for intermediate elements.

---

Electronic housing - ME LP - 2906908



PCB, for custom fitting, with contact to DIN rail (EN 60715)

---

Necessary add-on products

## Electronic housing - ME 22,5 UT GN - 2907130

### Accessories

Electronic housing - ME 22,5 OT-MSTBO SET - 2907444

Housing upper part, complete with 4 pairs of COMBICON headers and plugs



Electronic housing - ME 22,5 OT-1MSTBO GN - 2709558

Upper part of housing, for COMBICON connection, single-level



Electronic housing - ME 22,5 OT-MSTBO GN - 2907169

Upper part of housing, for COMBICON connection, double-level



Electronic housing - ME 22,5 OT-MKDSO GN - 2907172

Housing upper part, for printed circuit terminal block connection



Electronic housing - ME 22,5 OT-MKDSO SET - 2907473

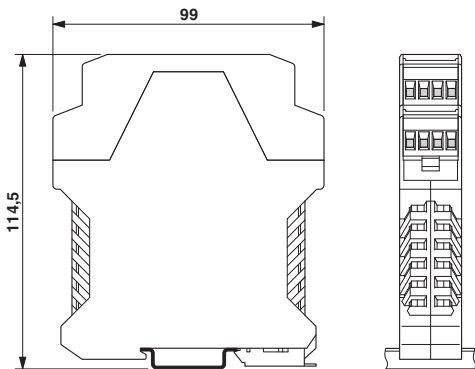
Housing upper part, complete with PCB termination blocks for full equipping. 16-pos., housing width: 22.5 mm



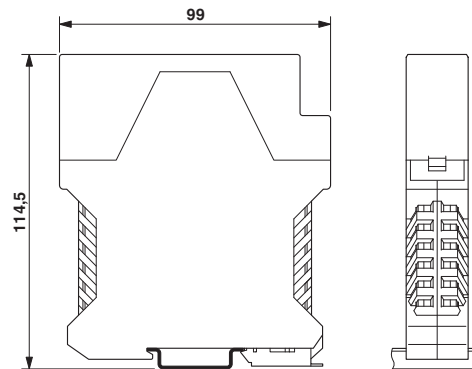
### Drawings

# Electronic housing - ME 22,5 UT GN - 2907130

Dimensioned drawing

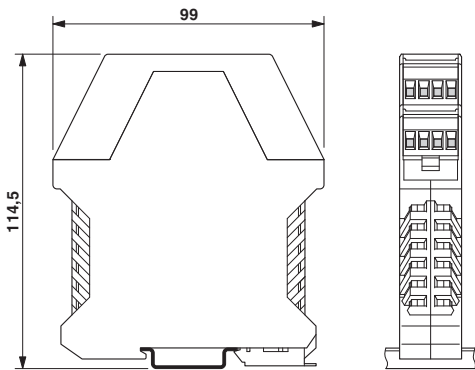


Dimensioned drawing

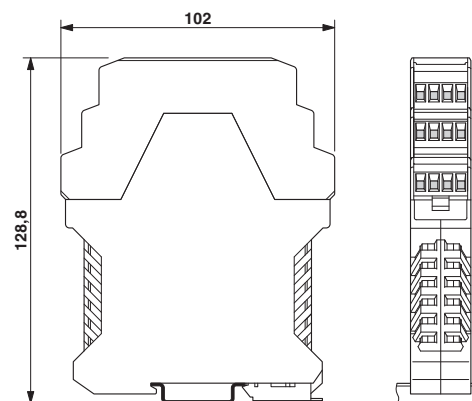


Dimensions of the electronic housing ME... with double-level upper part    Dimensions of the electronic housing ME... with single-level upper part

Dimensioned drawing



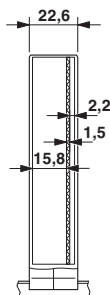
Dimensioned drawing



Dimensions of the electronic housing ME... with double-level upper part

Dimensional drawing of the ME... printed circuit board if the triple-level upper part is used

Dimensioned drawing

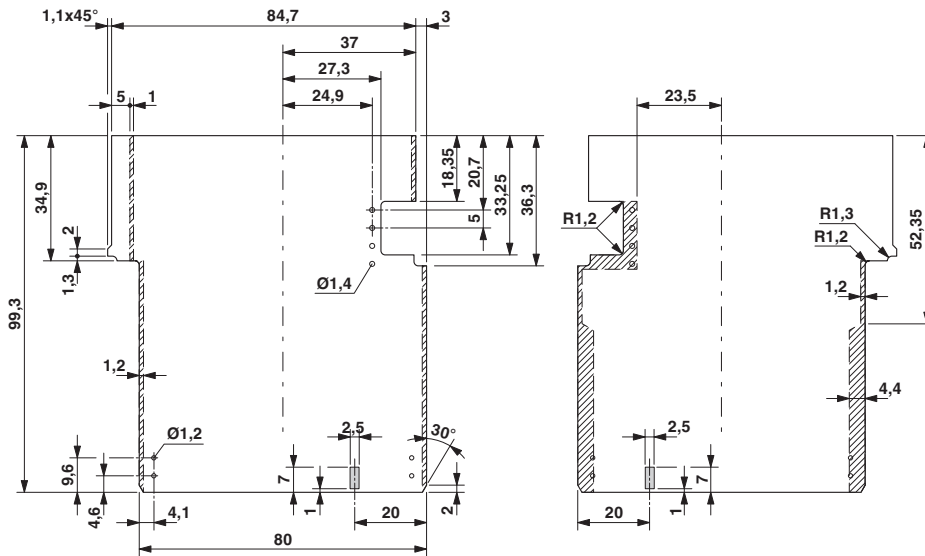


Inner housing dimensions, electronic housing ME 22.5 ...



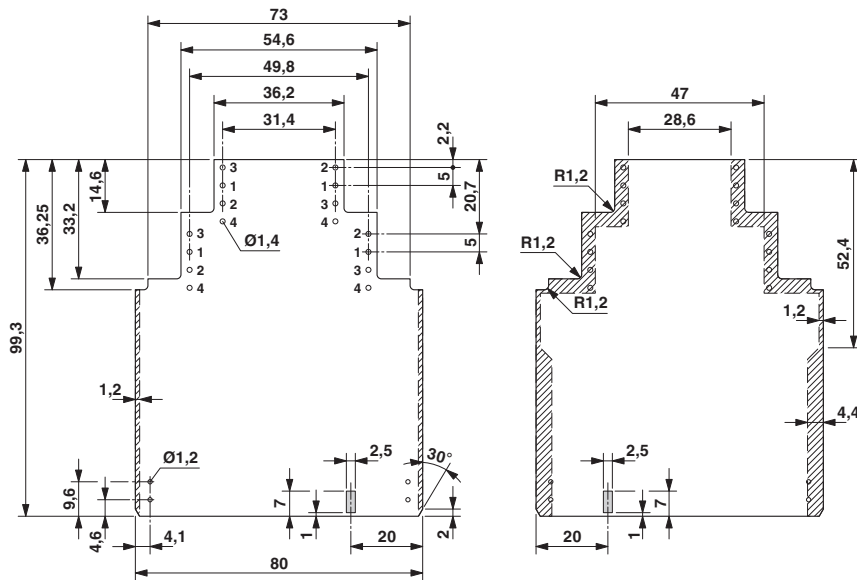
# Electronic housing - ME 22,5 UT GN - 2907130

Dimensioned drawing



Dimensional drawing of the ME... printed circuit board if the single level upper part is used

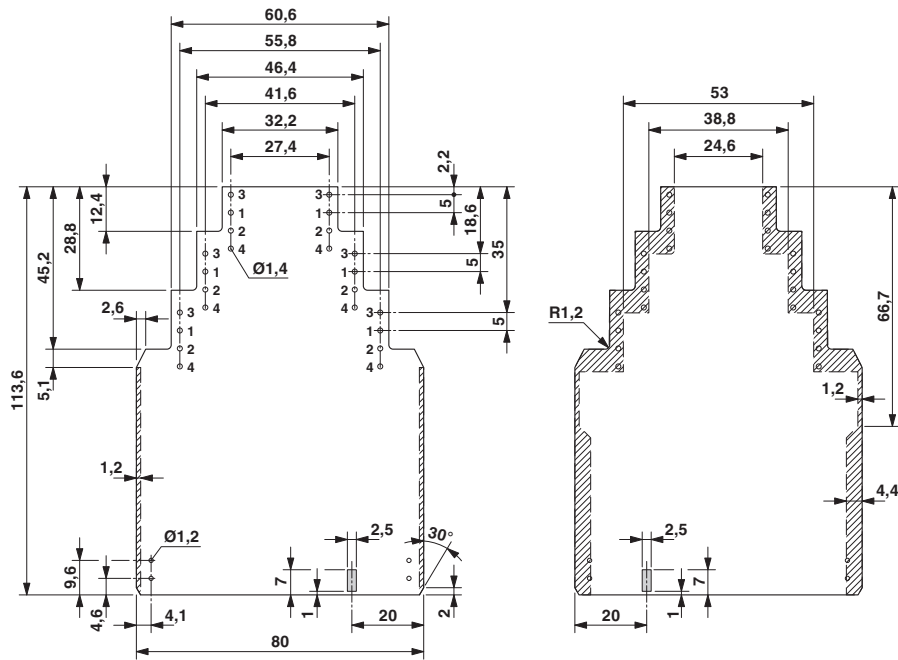
Dimensioned drawing



Dimensional drawing of the ME... printed circuit board if the double level upper part is used

# Electronic housing - ME 22,5 UT GN - 2907130

Dimensioned drawing



Dimensional drawing of the ME... printed circuit board if the triple-level upper part is used