



Chipsmall Limited consists of a professional team with an average of over 10 year of expertise in the distribution of electronic components. Based in Hongkong, we have already established firm and mutual-benefit business relationships with customers from,Europe,America and south Asia,supplying obsolete and hard-to-find components to meet their specific needs.

With the principle of "Quality Parts,Customers Priority,Honest Operation,and Considerate Service",our business mainly focus on the distribution of electronic components. Line cards we deal with include Microchip,ALPS,ROHM,Xilinx,Pulse,ON,Everlight and Freescale. Main products comprise IC,Modules,Potentiometer,IC Socket,Relay,Connector.Our parts cover such applications as commercial,industrial, and automotives areas.

We are looking forward to setting up business relationship with you and hope to provide you with the best service and solution. Let us make a better world for our industry!



## Contact us

Tel: +86-755-8981 8866 Fax: +86-755-8427 6832

Email & Skype: info@chipsmall.com Web: www.chipsmall.com

Address: A1208, Overseas Decoration Building, #122 Zhenhua RD., Futian, Shenzhen, China



# Digital display - FA MCR-FD-TUI-UI-2REL-UP - 2907780

Please be informed that the data shown in this PDF Document is generated from our Online Catalog. Please find the complete data in the user's documentation. Our General Terms of Use for Downloads are valid (<http://phoenixcontact.com/download>)




Multifunctional process indicator in field housing for monitoring and displaying analog measurement data. Universal inputs permit connection of current, voltage, RTDs, and TCs. Two relay change-over contact outputs and one analog output.

## Product Description

Multifunctional process indicator in field housing for monitoring and displaying analog measurement data. Dual-conductor sensors can be powered with the integrated measuring transducer supply. Universal inputs permit connection of current, voltage, RTDs, and TCs. Limit values can be monitored and relays can be switched. The analog output allows you to transmit process signals. A color change in the event of a fault supports the detection of alarm conditions. 5-digit, 7-segment LC display, with backlight, 1 universal input, 2 relays, min./max. value memory, linearization table, digital status output (open collector)



## Key Commercial Data

|              |   |
|--------------|---|
| Packing unit | 1 STK   |
| GTIN         | <br>4 055626 232140 |
| GTIN         | 4055626232140   |

## Technical data

### Dimensions

|        |        |
|--------|--------|
| Width  | 199 mm |
| Height | 160 mm |
| Depth  | 96 mm  |

### Ambient conditions

|   |  |
|---|--|
| Ambient temperature (operation)         | -40 °C ... 50 °C (The readability of the display is no longer guaranteed at temperatures below -30 °C (-22 °F).) |
| Ambient temperature (storage/transport) | -40 °C ... 85 °C   |
| Maximum altitude                        | < 2000 m (Above sea level)   |
| Degree of protection                    | IP67   |

### Input data

|                          |                 |
|--------------------------|-----------------|
| Description of the input | Universal input |
|--------------------------|-----------------|

# Digital display - FA MCR-FD-TUI-UI-2REL-UP - 2907780

## Technical data

### Input data

|                                     |   |
|-------------------------------------|---|
| Number of inputs                    | 1   |
| Current input signal                | 0 mA ... 20 mA +10 %                            |
|                                     | 4 mA ... 20 mA +10 %                            |
| Max. input current                  | < 150 mA  |
| Input signal                        | Current   |
| Input resistance current input      | 10 Ω  |
| Transmitter supply voltage          | > 16 V (22 mA)                                  |
| Transmitter supply voltage range    | 22.8 V ... 27.6 V (No-load)                     |
| Transmitter supply current          | < 30 mA (Short-circuit and overload protection) |
| Available input sources             | Resistance thermometers                         |
| Sensor types (RTD) that can be used | Pt, Ni, Cu sensors                              |
| Connection technology               | 2, 3, 4-wire                                    |
| Description of the input            | Universal input                                 |
| Voltage input signal                | 0 V ... 10 V                                    |
|                                     | 2 V ... 10 V                                    |
|                                     | 0 V ... 5 V                                     |
|                                     | 0 V ... 1 V                                     |
|                                     | 1 V ... 5 V                                     |
|                                     | -1 V ... 1 V                                    |
|                                     | -10 V ... 10 V                                  |
|                                     | -30 V ... 30 V                                  |
|                                     | -100 mV ... 100 mV                              |
| max. input voltage                  | ± 35 V (≥ 1 V)                                  |
| Input signal                        | Voltage   |
| Input resistance of voltage input   | > 1 MΩ  |
| Available input sources             | Thermocouples                                   |
| Sensor types that can be used (TC)  | J, K, T, N, B, S, R, U, L, C, D                 |

### Output data

|                                 |                               |
|---------------------------------|-------------------------------|
| Output name                     | Current output                |
| Number of outputs               | 1                             |
| Configurable/programmable       | Yes                           |
| Current output signal           | 0 mA ... 20 mA                |
|                                 | 4 mA ... 20 mA                |
| Max. output current             | < 22 mA                       |
| Load/output load current output | ≤ 500 Ω (22 mA)               |
| Ripple                          | < 10 mV <sub>PP</sub> (500 Ω) |
| D/A resolution                  | 13 bit                        |
| Output name                     | Voltage output                |
| Voltage output signal           | 0 V ... 10 V                  |
|                                 | 2 V ... 10 V                  |

# Digital display - FA MCR-FD-TUI-UI-2REL-UP - 2907780

## Technical data

### Output data

|                     |                                |
|---------------------|--------------------------------|
|                     | 0 V ... 5 V                    |
|                     | 1 V ... 5 V                    |
| Max. output voltage | < 11 V                         |
| Ripple              | < 10 mV <sub>PP</sub> (1000 Ω) |
| D/A resolution      | 13 bit                         |

### Switching output

|                           |                           |
|---------------------------|---------------------------|
| Output name               | Relay output              |
| Contact type              | 2 PDT                     |
| Minimum switching voltage | 12 V                      |
| Maximum switching voltage | 30 V DC (3 A)             |
|                           | 230 V AC (3 A)            |
| Min. switching current    | 10 mA                     |
| Output name               | Transistor output, active |
| Output description        | Open collector output     |
| Number of outputs         | 1                         |
| Contact type              | Transistor                |
| Maximum switching voltage | 28 V                      |
| Max. switching current    | 3 A                       |
|                           | 200 mA                    |

### Power supply

|                      |   |
|----------------------|---|
| Supply voltage range | 24 V AC/DC ... 230 V AC/DC (-20 % ... +10 %, 50 Hz ... 60 Hz) |
| Power consumption    | ≤ 6.9 W   |

### General

|                                  |   |
|----------------------------------|---|
| Test voltage                     | 2500 V  |
| Protection class                 | II  |
| Overvoltage category             | II  |
| Degree of pollution              | 2   |
| Test voltage input/output        | 500 V   |
| Test voltage input/power supply  | 2500 V  |
| Test voltage output/power supply | 2500 V  |
| Noise emission                   | IEC 61326, class A  |
| Noise immunity                   | IEC 61326 / NAMUR NE 21   |
| Housing material                 | PBT GF30  |
| Mounting position                | Max. viewing angle range +/- 45° from the centre line of the display in every direction |
| Conformance                      | CE-compliant  |
| UL, USA/Canada                   | UL 61010 Recognized   |
| CSA                              | CSA GP  |

### Standards and Regulations

# Digital display - FA MCR-FD-TUI-UI-2REL-UP - 2907780

## Technical data

### Standards and Regulations

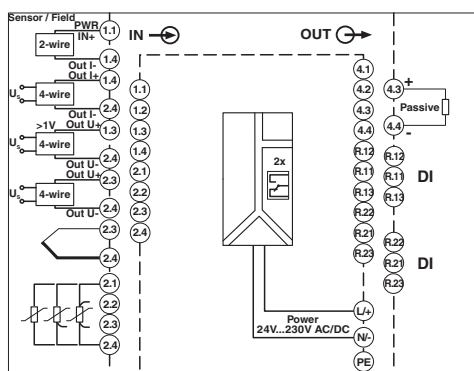
|                |                         |
|----------------|-------------------------|
| Noise emission | IEC 61326, class A      |
| Noise immunity | IEC 61326 / NAMUR NE 21 |
| Conformance    | CE-compliant            |
| UL, USA/Canada | UL 61010 Recognized     |
| CSA            | CSA GP                  |

### Environmental Product Compliance

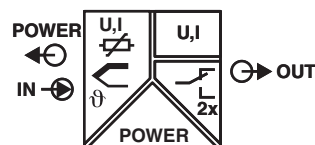
|            |   |
|------------|---|
| China RoHS | Environmentally Friendly Use Period = 50  |
|            | For details about hazardous substances go to tab "Downloads", Category "Manufacturer's declaration" |

## Drawings

Block diagram



Pictogram



Block diagram FA MCR-FD-TUI-UI-2REL-UP

## Approvals

### Approvals

#### Approvals

CSA / UL Recognized / cUL Recognized / EAC / cULus Recognized


#### Ex Approvals


### Approval details

|     |  |   |         |
|-----|--|---|---------|
| CSA |  | <a href="http://www.csagroup.org/services-industries/product-listing/">http://www.csagroup.org/services-industries/product-listing/</a> | 2879105 |
|-----|--|---|---------|


## Digital display - FA MCR-FD-TUI-UI-2REL-UP - 2907780

### Approvals

|               |   |   |               |
|---------------|---|---|---------------|
| UL Recognized |  | <a href="http://database.ul.com/cgi-bin/XYV/template/LISEXT/1FRAME/index.htm">http://database.ul.com/cgi-bin/XYV/template/LISEXT/1FRAME/index.htm</a> | FILE E 198586 |
|---------------|---|---|---------------|

|                |   |   |               |
|----------------|---|---|---------------|
| cUL Recognized |  | <a href="http://database.ul.com/cgi-bin/XYV/template/LISEXT/1FRAME/index.htm">http://database.ul.com/cgi-bin/XYV/template/LISEXT/1FRAME/index.htm</a> | FILE E 198586 |
|----------------|---|---|---------------|

|     |   |  |                          |
|-----|---|--|--------------------------|
| EAC |  |  | RU C-<br>DE.A*30.B.01082 |
|-----|---|--|--------------------------|

|                  |   |   |  |
|------------------|---|---|--|
| cULus Recognized |  | <a href="http://database.ul.com/cgi-bin/XYV/template/LISEXT/1FRAME/index.htm">http://database.ul.com/cgi-bin/XYV/template/LISEXT/1FRAME/index.htm</a> |  |
|------------------|---|---|--|

Phoenix Contact 2018 © - all rights reserved  
<http://www.phoenixcontact.com>

PHOENIX CONTACT GmbH & Co. KG  
Flachsmarktstr. 8  
32825 Blomberg  
Germany  
Tel. +49 5235 300  
Fax +49 5235 3 41200  
<http://www.phoenixcontact.com>