



Chipsmall Limited consists of a professional team with an average of over 10 year of expertise in the distribution of electronic components. Based in Hongkong, we have already established firm and mutual-benefit business relationships with customers from,Europe,America and south Asia,supplying obsolete and hard-to-find components to meet their specific needs.

With the principle of “Quality Parts,Customers Priority,Honest Operation,and Considerate Service”,our business mainly focus on the distribution of electronic components. Line cards we deal with include Microchip,ALPS,ROHM,Xilinx,Pulse,ON,Everlight and Freescale. Main products comprise IC,Modules,Potentiometer,IC Socket,Relay,Connector.Our parts cover such applications as commercial,industrial, and automotives areas.

We are looking forward to setting up business relationship with you and hope to provide you with the best service and solution. Let us make a better world for our industry!



## Contact us

Tel: +86-755-8981 8866 Fax: +86-755-8427 6832

Email & Skype: info@chipsmall.com Web: www.chipsmall.com

Address: A1208, Overseas Decoration Building, #122 Zhenhua RD., Futian, Shenzhen, China



## Interface card - 1771-CARDEDGE18/D25F - 2908758

Please be informed that the data shown in this PDF Document is generated from our Online Catalog. Please find the complete data in the user's documentation. Our General Terms of Use for Downloads are valid (<http://phoenixcontact.com/download>)

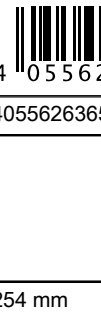


Allen-Bradley® PLC-5 migration board used to convert 1771 I/O and pre-wired 18-position swing arm (1771-WE, 1771-WF, or 1771-WI) to 25-position (female) D-SUB socket

### Why buy this product

- Durable PCB designed to easily mount within 1771 chassis
- Card edge connection with locking tab
- Quick cable connection via D-SUB 25 female connector

### Key Commercial Data

Packing unit	1 STK
GTIN	 4 055626 365749
GTIN	4055626365749

### Technical data

#### Dimensions

Width	254 mm
Height	153.2 mm
Depth	21.3 mm

#### Ambient conditions

Ambient temperature (operation)	-40 °C ... 70 °C
Ambient temperature (storage/transport)	-40 °C ... 70 °C

#### General

Max. perm. operating voltage	max. 125 V AC/DC
Max. perm. current (per branch)	2 A
Number of positions	18
Status display	No

#### Connection data for connection 1

# Interface card - 1771-CARDEDGE18/D25F - 2908758

## Technical data

### Connection data for connection 1

Connection name	PCB edge contact
Number of positions	18

### Connection data for connection 2

Connection name	Controller level
Connection method	D-SUB-25 female connector
Number of connections	1
Number of positions	25

### Supported controller

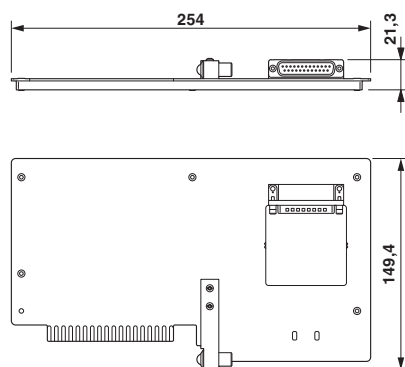
Controller	Allen-Bradley® 1771 (PLC5)
- suitable I/O card	1771-IL
	1771-IR
	1771-IXE
	1771-IXHR
	1771-OQ
	1771-QD
	1771-QDC
	1771-QI

### Environmental Product Compliance

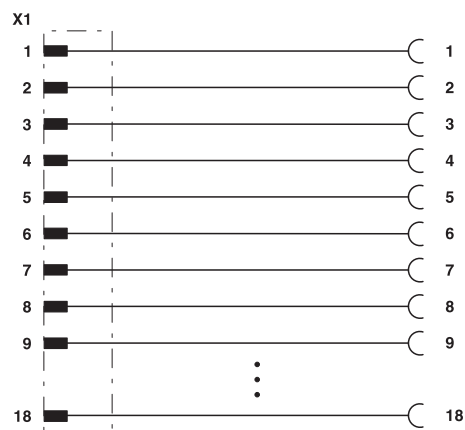
China RoHS	Environmentally Friendly Use Period = 50
	For details about hazardous substances go to tab "Downloads", Category "Manufacturer's declaration"

## Drawings

Dimensional drawing



Circuit diagram



Phoenix Contact 2018 © - all rights reserved  
<http://www.phoenixcontact.com>

PHOENIX CONTACT GmbH & Co. KG  
Flachsmarktstr. 8  
32825 Blomberg  
Germany  
Tel. +49 5235 300  
Fax +49 5235 3 41200  
<http://www.phoenixcontact.com>