



Chipsmall Limited consists of a professional team with an average of over 10 year of expertise in the distribution of electronic components. Based in Hongkong, we have already established firm and mutual-benefit business relationships with customers from,Europe,America and south Asia,supplying obsolete and hard-to-find components to meet their specific needs.

With the principle of “Quality Parts,Customers Priority,Honest Operation,and Considerate Service”,our business mainly focus on the distribution of electronic components. Line cards we deal with include Microchip,ALPS,ROHM,Xilinx,Pulse,ON,Everlight and Freescale. Main products comprise IC,Modules,Potentiometer,IC Socket,Relay,Connector.Our parts cover such applications as commercial,industrial, and automotives areas.

We are looking forward to setting up business relationship with you and hope to provide you with the best service and solution. Let us make a better world for our industry!



Contact us

Tel: +86-755-8981 8866 Fax: +86-755-8427 6832

Email & Skype: info@chipsmall.com Web: www.chipsmall.com

Address: A1208, Overseas Decoration Building, #122 Zhenhua RD., Futian, Shenzhen, China





- Polyamide / PVC hand held enclosure for MCR and automation engineering
- Large fitting space
- Variable length using profile technology

Included in delivery

Enclosure system consisting of polyamide internal enclosure with end covers, two side PVC cover profiles, Alucobond composite front plate, rear wall, 2 external end covers, with M 25 x 1,5 threaded hole for cable gland

Technical data

Material:

Polyamide / PVC

Ingress protection:

IP 65 to EN 60529

Impact resistance:

5 Joule to EN 60079-0

Flammability:

End covers: UL 94 HB

Colour:

End covers: RAL 1021, rape yellow

PVC-profile: RAL 9005, jet black

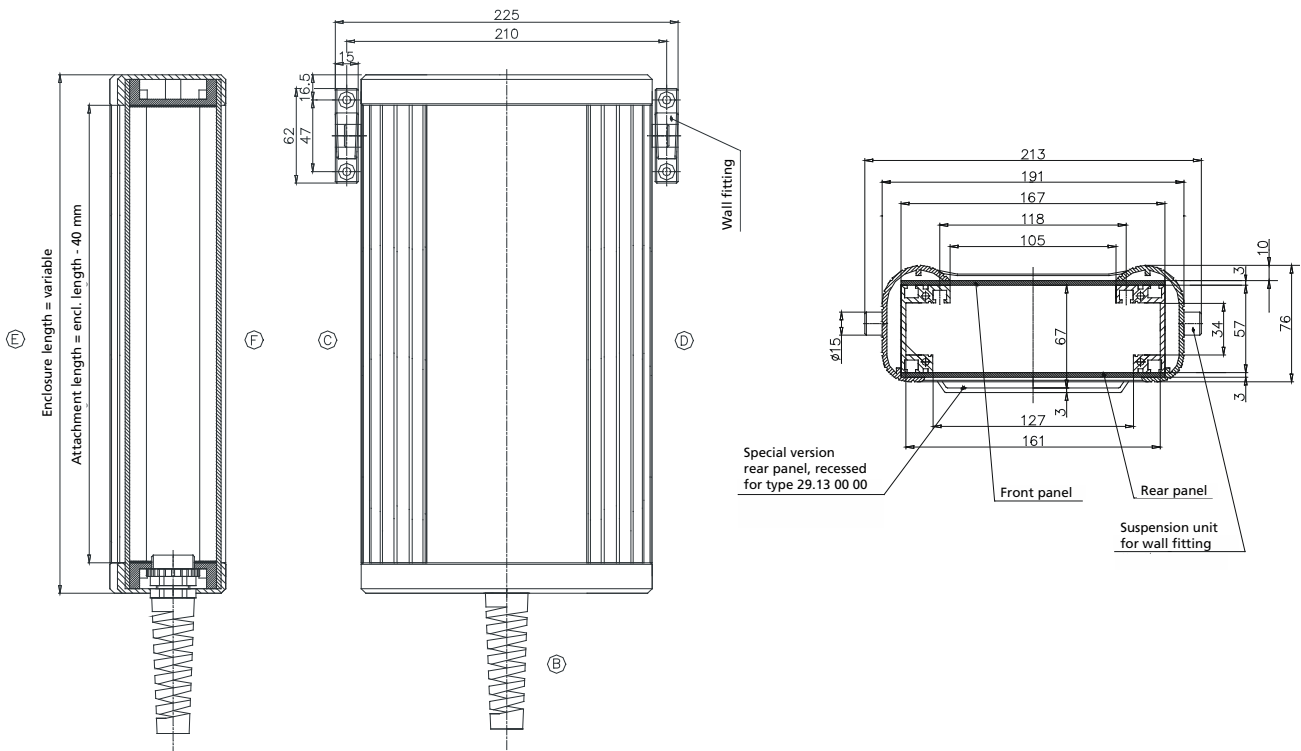
Temperature range:

-20°C to +70°C

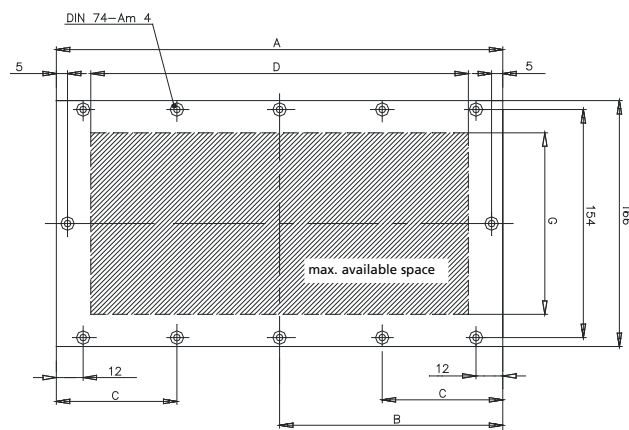
Dimensions



Standard	Dimensions	Weight (g)
29.11 10 00	280 x 191 x 76	1660
29.12 10 00	330 x 191 x 76	1900
29.13 10 00	440 x 191 x 76	2200
29.19 10 00	Special length	



Type	A	B	C	D	G
29.11 10 00	274	-	92	240	105/127
29.12 10 00	324	162	81	290	105/127
29.13 10 00	434	217	109	400	105/127
Special size, $A \leq 300$ mm	Enclosure length - 6	-	A/3	A - 34	105/127
Special size, $A \geq 300$ mm	Enclosure length - 6	A/2	A/4	A - 34	105/127



Pilot 50

Zubehör



PCB fixing set
Set = 4 pcs with spring nuts
Order No. **29.00 00 60**



Set of spring nuts
Spring nuts (M4) for internal mounting;
set = 4 pcs
Order No. **29.00 00 50**



Wall holder set
Order No. **29.00 00 70**



Pilot with small control device



Inner T-slots offer mounting facilities on all sides



EMC version



Variable fittings