



Chipsmall Limited consists of a professional team with an average of over 10 year of expertise in the distribution of electronic components. Based in Hongkong, we have already established firm and mutual-benefit business relationships with customers from,Europe,America and south Asia,supplying obsolete and hard-to-find components to meet their specific needs.

With the principle of "Quality Parts,Customers Priority,Honest Operation,and Considerate Service",our business mainly focus on the distribution of electronic components. Line cards we deal with include Microchip,ALPS,ROHM,Xilinx,Pulse,ON,Everlight and Freescale. Main products comprise IC,Modules,Potentiometer,IC Socket,Relay,Connector.Our parts cover such applications as commercial,industrial, and automotives areas.

We are looking forward to setting up business relationship with you and hope to provide you with the best service and solution. Let us make a better world for our industry!



Contact us

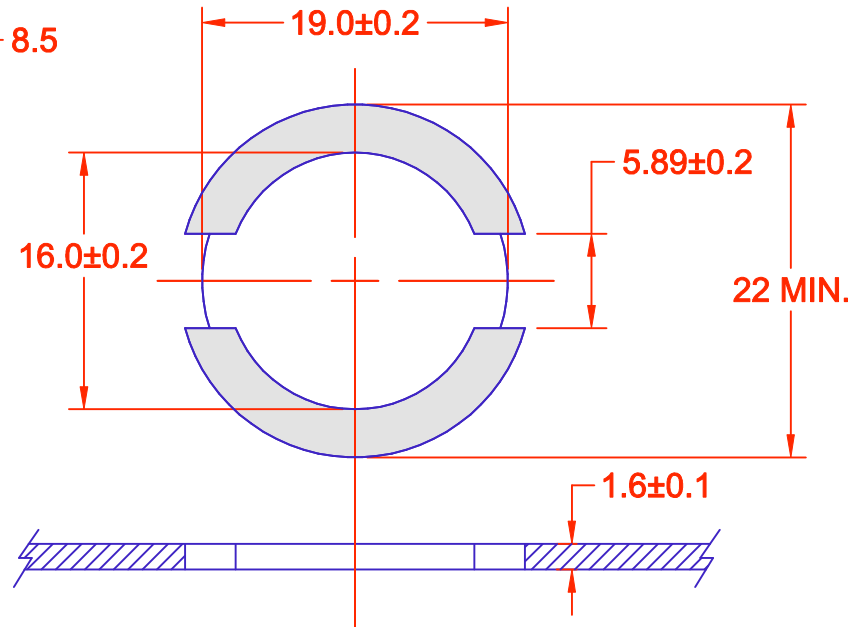
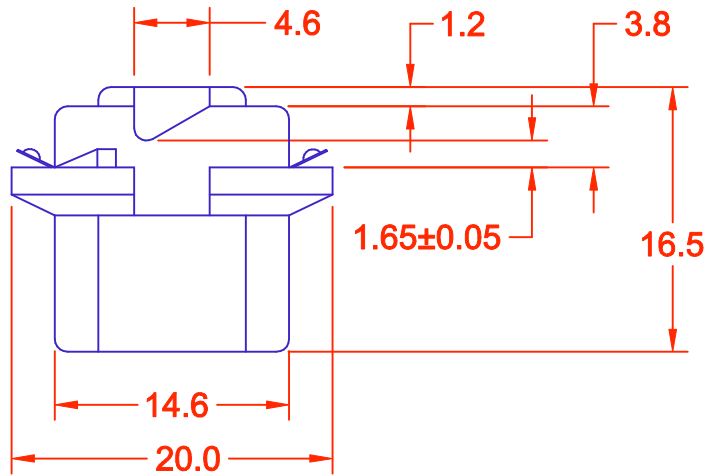
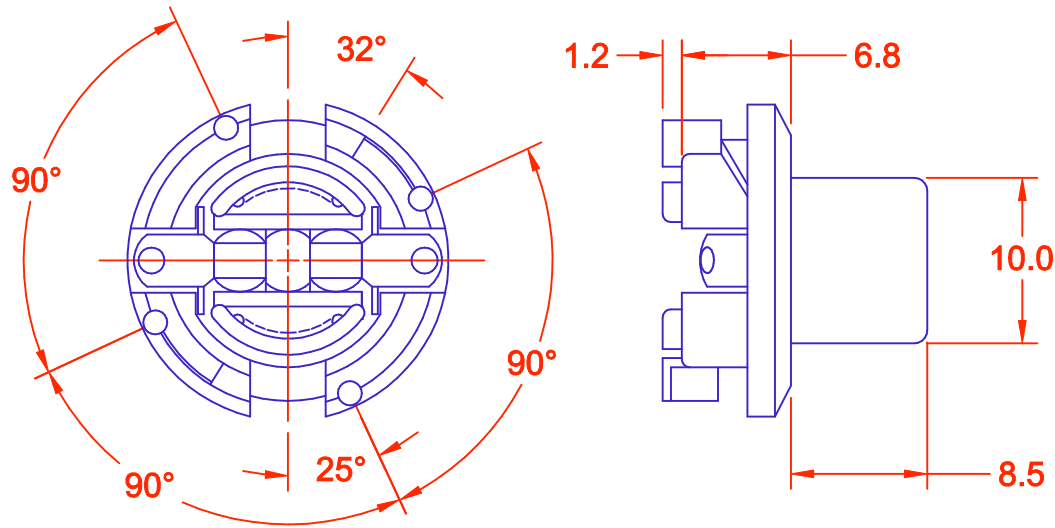
Tel: +86-755-8981 8866 Fax: +86-755-8427 6832

Email & Skype: info@chipsmall.com Web: www.chipsmall.com

Address: A1208, Overseas Decoration Building, #122 Zhenhua RD., Futian, Shenzhen, China



REV.	DESCRIPTION/ECO NO.	DATE
	RELEASED TO CAD	8/26/02
A	CHNG. COPPER PATTERN	4/3/03



P.C. BOARD PATTERN

JKL PART NO.: 2919/BLA
 SOCKET COLOR: BLACK

 THIRD ANGLE PROJECTION	METRIC DIMENSIONS ARE IN MILLIMETERS	JKL COMPONENTS CORPORATION TITLE T-3 1/4 WEDGE BASE SOCKET			
	TOLERANCE UNLESS OTHERWISE SPECIFIED 1 PL +/- 0.2 2 PL +/- 0.20 ANGLE +/- 0				
DRAWN BY L. WENGSTROM	APPVD BY DATE J.K. 4/3/03	SIZE A	FSCM NO. 55335	DRAWING NO.	SOCKET 2919
- CAD DRAWING - MANUAL REVISIONS NOT PERMITTED		SCALE NONE	RELEASED DATE 8/26/02	REVISION DATE 4/3/03	REV. NO. A SHEET 1 OF 1