



Chipsmall Limited consists of a professional team with an average of over 10 year of expertise in the distribution of electronic components. Based in Hongkong, we have already established firm and mutual-benefit business relationships with customers from,Europe,America and south Asia,supplying obsolete and hard-to-find components to meet their specific needs.

With the principle of “Quality Parts,Customers Priority,Honest Operation,and Considerate Service”,our business mainly focus on the distribution of electronic components. Line cards we deal with include Microchip,ALPS,ROHM,Xilinx,Pulse,ON,Everlight and Freescale. Main products comprise IC,Modules,Potentiometer,IC Socket,Relay,Connector.Our parts cover such applications as commercial,industrial, and automotives areas.

We are looking forward to setting up business relationship with you and hope to provide you with the best service and solution. Let us make a better world for our industry!



Contact us

Tel: +86-755-8981 8866 Fax: +86-755-8427 6832

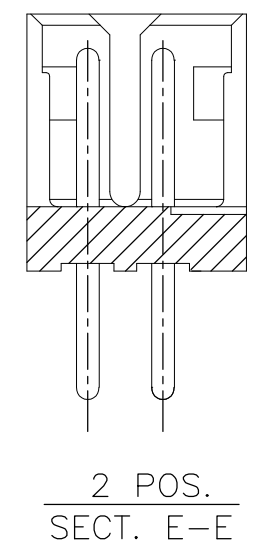
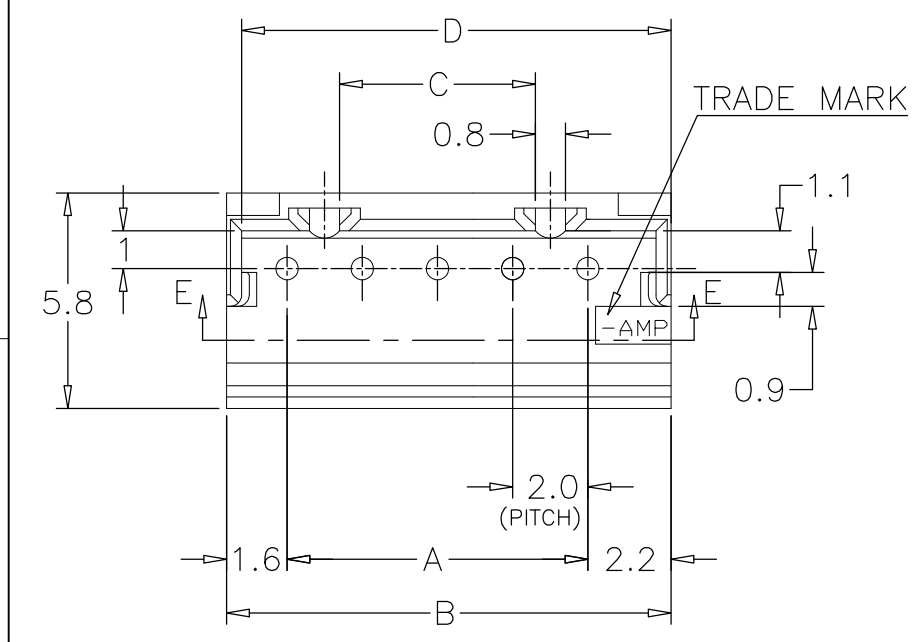
Email & Skype: info@chipsmall.com Web: www.chipsmall.com

Address: A1208, Overseas Decoration Building, #122 Zhenhua RD., Futian, Shenzhen, China

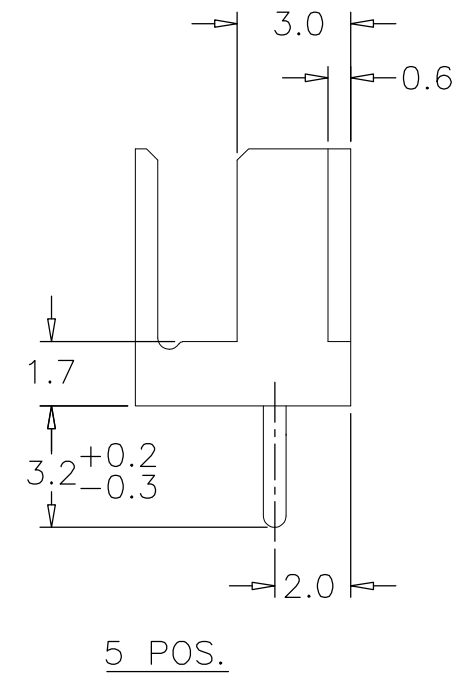
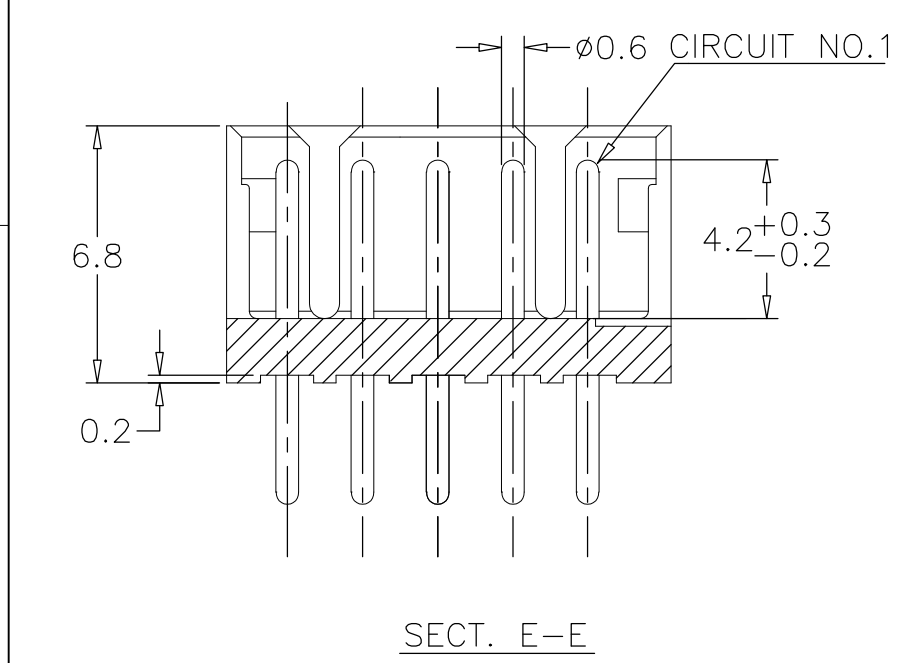
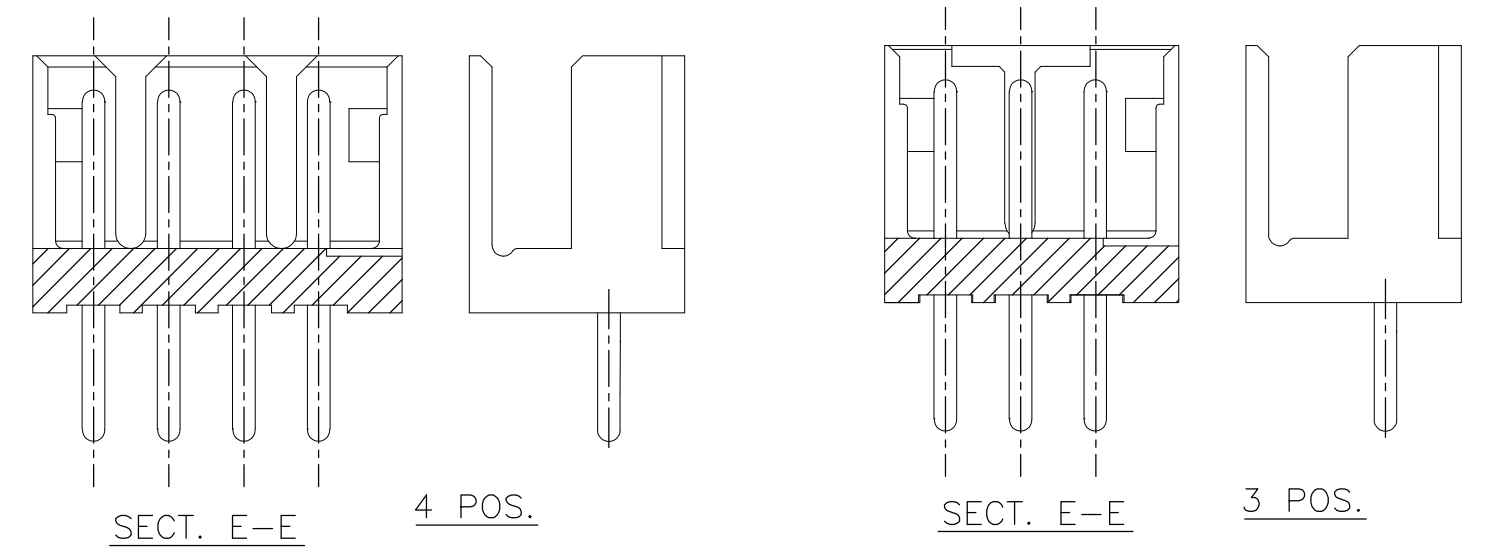


THIS DRAWING IS UNPUBLISHED. RELEASED FOR PUBLICATION
 © COPYRIGHT - By - ALL RIGHTS RESERVED.

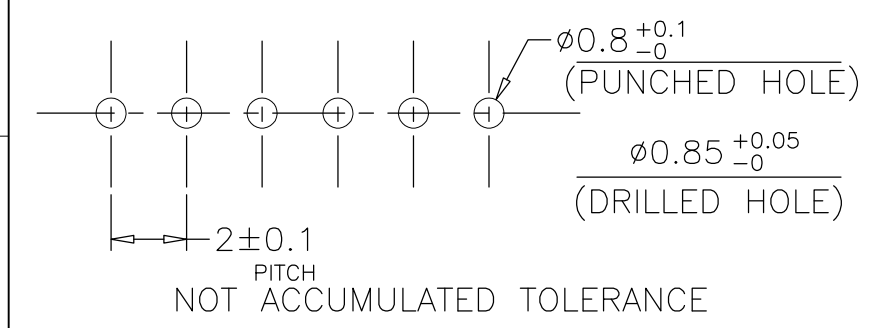
LOC	DIST	REVISIONS					
FB	00	P	LTR	DESCRIPTION	DATE	DWN	APVD
		P		REVISED PER ECO-11-005033	25MAR11	RK	HMR



- NOTES:
 1 MATERIAL : HOUSING-66 NYLON (UL94V-0)
 POST -TIN BRASS
 2 THIS PRODUCT IS W/O KINK OF P/N 292132
 3 APPLICABLE RECEPTACLE : P/N 173977



			1-292133-5	15	28	31.8	25.2	31.0
			1-4	14	26	29.8	23.2	29.0
			1-3	13	24	27.8	21.2	27.0
			1-2	12	22	25.8	19.2	25.0
			1-1	11	20	23.8	17.2	23.0
			1-0	10	18	21.8	15.2	21.0
			-9	9	16	19.8	13.2	19.0
			-8	8	14	17.8	11.2	17.0
			-7	7	12	15.8	9.2	15.0
			-6	6	10	13.8	7.2	13.0
			-5	5	8	11.8	5.2	11.0
			-4	4	6	9.8	3.2	9.0
6-292133-3	4-292133-3	2-292133-3	-3	3	4	7.8	-	7.0
			292133-2	2	2	5.8	-	5.0
BLACK	YELLOW	BLUE	NATURAL	POS.	A	B	C	D



RECOMMENDABLE P.C. BOARD LAYOUT
 (PCB THK : 0.8-1.6)

TOLERANCES UNLESS OTHERWISE SPECIFIED:

10 > * :	± 0.2
30 > * > 10 :	± 0.25
100 > * > 30 :	± 0.3
ANGEL :	± 3°

THIS DRAWING IS A CONTROLLED DOCUMENT.

DWN S.XU 31JAN03
 CHK S.YAO 31JAN03
 APVD T.SASAKI 31JAN03

TE Connectivity

NAME: POST HEADER ASS'Y (BOX-V TYPE) W/O KINK
 AMP CT CONNECTOR 2mm PITCH

PRODUCT SPEC: 108-60016
 APPLICATION SPEC: -

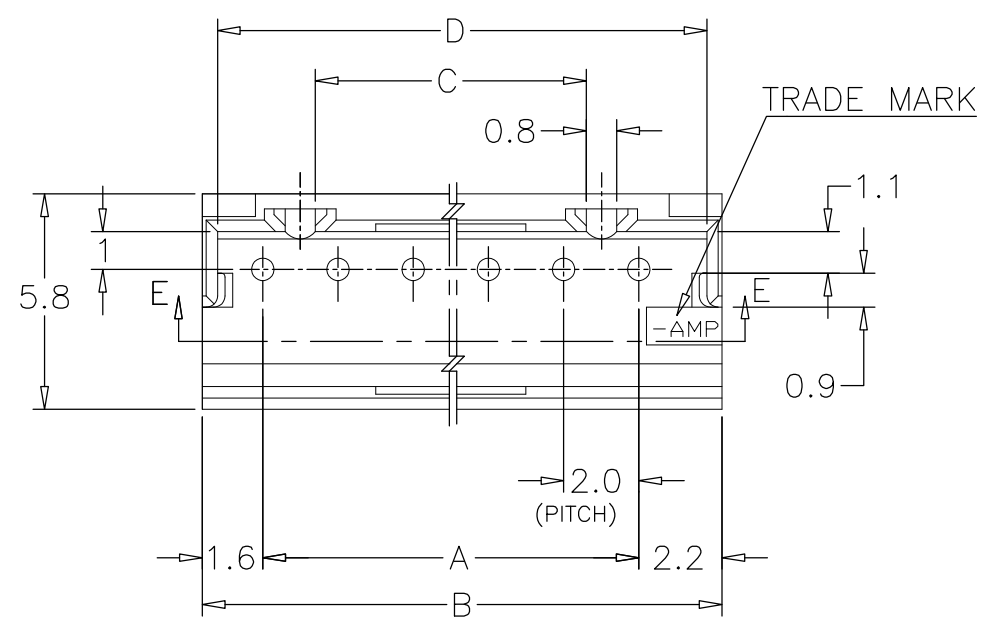
SIZE: A3 CAGE CODE: 00779 DRAWING NO: C-292133 RESTRICTED TO: -

MATERIAL: SEE NOTE FINISH: SEE NOTE WEIGHT: -

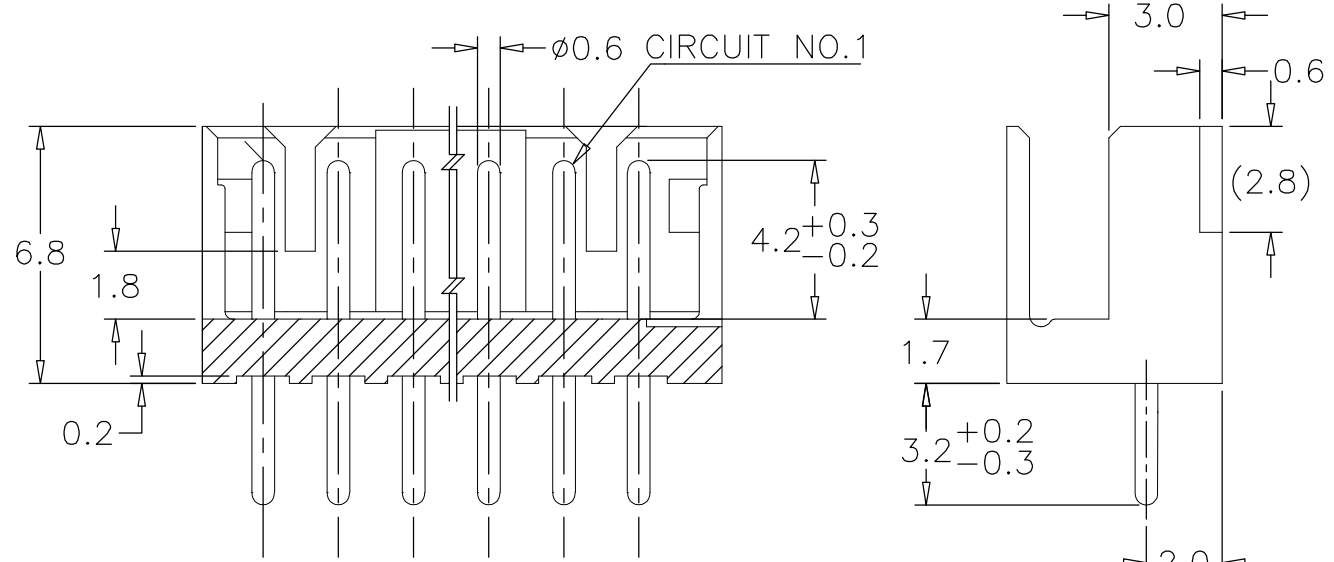
CUSTOMER DRAWING SCALE: 5:1 SHEET: 1 OF 2 REV: P

THIS DRAWING IS UNPUBLISHED. RELEASED FOR PUBLICATION
 © COPYRIGHT - By - ALL RIGHTS RESERVED.

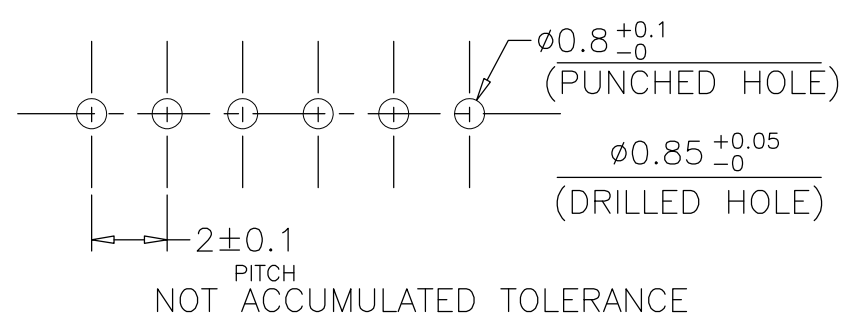
LOC	DIST	REVISIONS					
FB	00	P	LTR	DESCRIPTION	DATE	DWN	APVD
		-		SEE SHEET 1	-	-	-



- NOTES:
- MATERIAL : HOUSING-66 NYLON (UL94V-0)
POST -TIN BRASS
 - THIS PRODUCT IS W/O KINK OF P/N 292132
 - APPLICABLE RECEPTACLE : P/N 173977



			1-292133-5	15	28	31.8	25.2	31.0
			1-4	14	26	29.8	23.2	29.0
			1-3	13	24	27.8	21.2	27.0
			1-2	12	22	25.8	19.2	25.0
			1-1	11	20	23.8	17.2	23.0
			1-0	10	18	21.8	15.2	21.0
			-9	9	16	19.8	13.2	19.0
			-8	8	14	17.8	11.2	17.0
			-7	7	12	15.8	9.2	15.0
			-6	6	10	13.8	7.2	13.0
			-5					
			-4					
6-292133-3	4-292133-3	2-292133-3	-3	SEE SHEET 1 OF 2				
			292133-2					
BLACK	YELLOW	BLUE	NATURAL	POS.	A	B	C	D



RECOMMENDABLE P.C. BOARD LAYOUT
(PCB THK : 0.8-1.6)

THIS DRAWING IS A CONTROLLED DOCUMENT. DWN 27DEC2002

TE Connectivity

POST HEADER ASS'Y (BOX-V TYPE) W/O KINK
AMP CT CONNECTOR 2mm PITCH

SIZE: A3 CAGE CODE: 00779 DRAWING NO: C-292133

CUSTOMER DRAWING SCALE: 5:1 SHEET: 2 OF 2 REV: P

DIMENSIONS:	TOLERANCES UNLESS OTHERWISE SPECIFIED:
mm	0 PLC ± -
	1 PLC ± -
	2 PLC ± -
	3 PLC ± -
	4 PLC ± -
	ANGLES ± -
MATERIAL	FINISH