



Chipsmall Limited consists of a professional team with an average of over 10 year of expertise in the distribution of electronic components. Based in Hongkong, we have already established firm and mutual-benefit business relationships with customers from,Europe,America and south Asia,supplying obsolete and hard-to-find components to meet their specific needs.

With the principle of “Quality Parts,Customers Priority,Honest Operation,and Considerate Service”,our business mainly focus on the distribution of electronic components. Line cards we deal with include Microchip,ALPS,ROHM,Xilinx,Pulse,ON,Everlight and Freescale. Main products comprise IC,Modules,Potentiometer,IC Socket,Relay,Connector.Our parts cover such applications as commercial,industrial, and automotives areas.

We are looking forward to setting up business relationship with you and hope to provide you with the best service and solution. Let us make a better world for our industry!



## Contact us

Tel: +86-755-8981 8866 Fax: +86-755-8427 6832

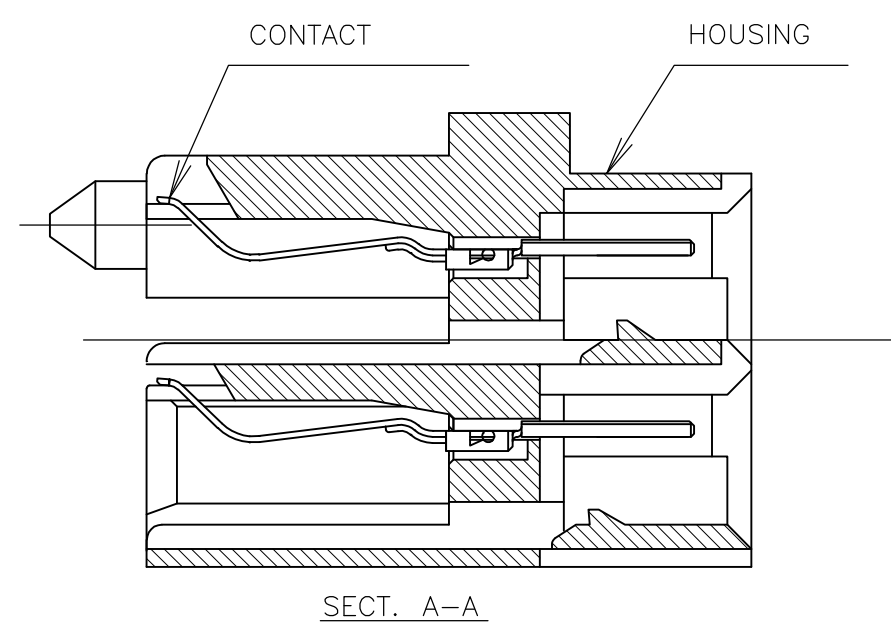
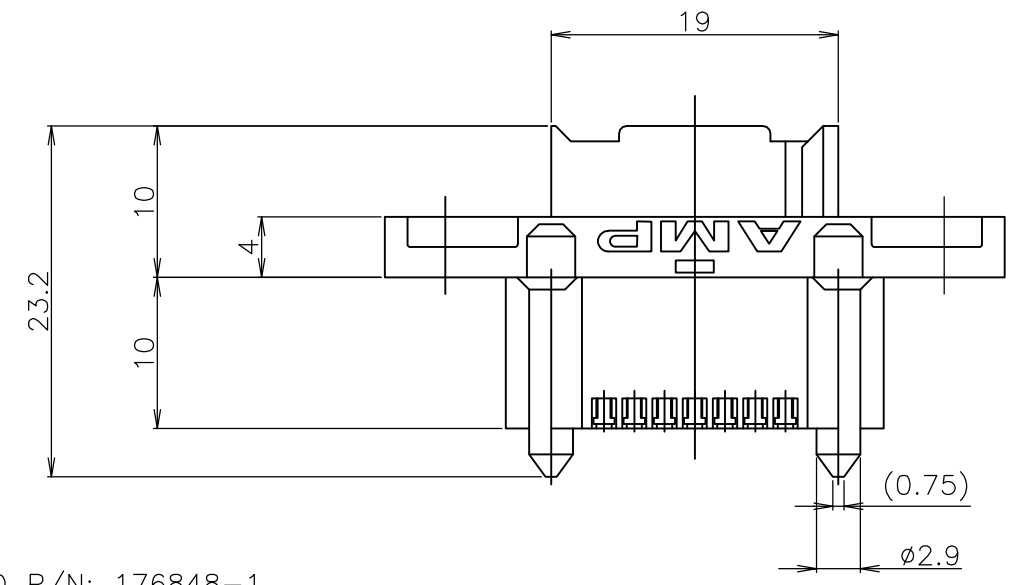
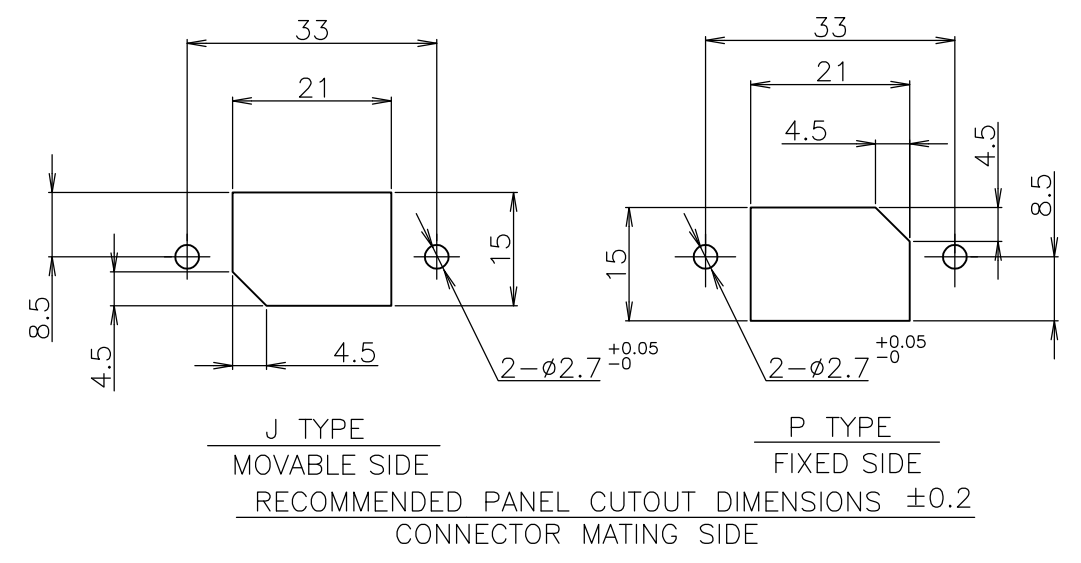
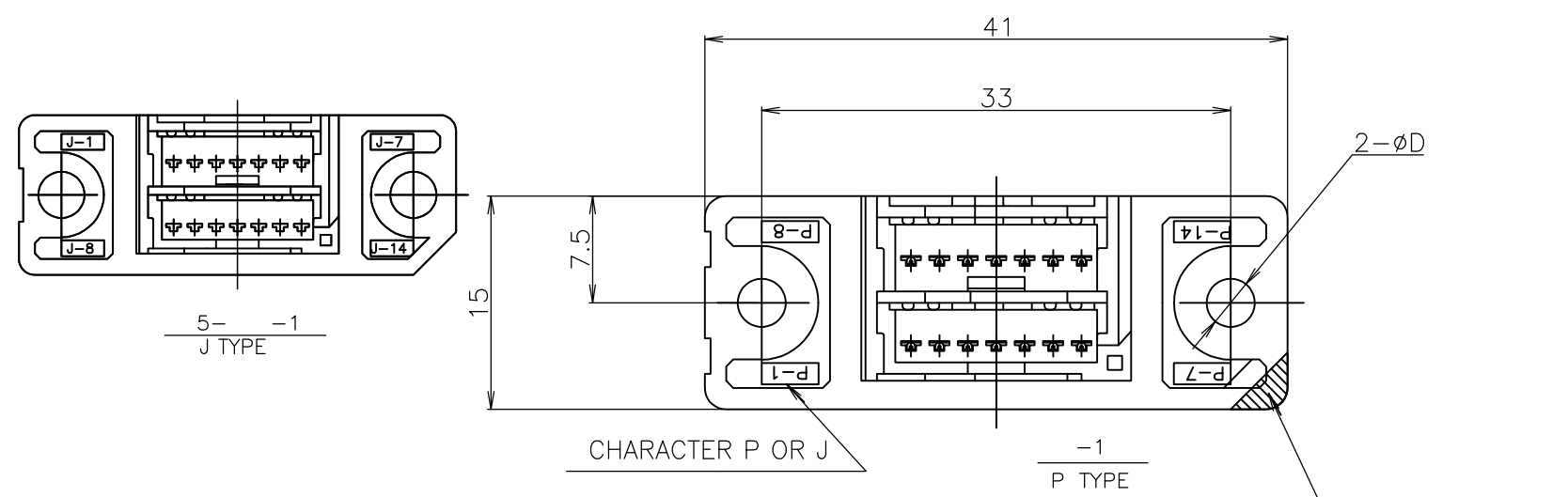
Email & Skype: info@chipsmall.com Web: www.chipsmall.com

Address: A1208, Overseas Decoration Building, #122 Zhenhua RD., Futian, Shenzhen, China

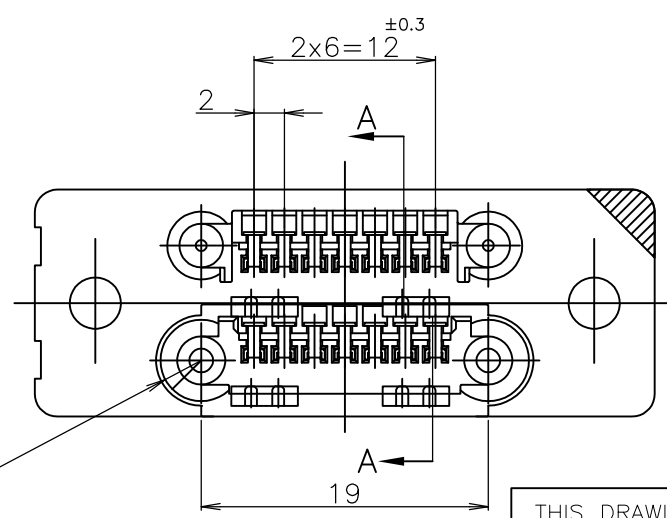


THIS DRAWING IS UNPUBLISHED. RELEASED FOR PUBLICATION  
 © COPYRIGHT - By - ALL RIGHTS RESERVED.

LOC	DIST	REVISIONS					
ES	00	P	LTR	DESCRIPTION	DATE	DWN	APVD
		A1		REVISED PER ECO-11-005033	28MAR11	RK	HMR



- NOTES:
- 1 APPLIED USE THRED P/N: 176848-1
  - 2 PRODUCT SPEC.: 108-60021
  - 3 MATERIAL:  
HOUSING: THERMOPLASTIC UL94V-0(COLOR: SEE TABLE)  
CONTACT: COPPER ALLOY
  - 4 FINISH:  
CONTACT: NICKEL PL. ALL OVER  
CONTACT AREA: GOLD PL.  
POST AREA: MATTE TIN PL.
  - 5 THIS FLOATING ALLOWANCE  
USED TAPPING SCREW P/N: 176848-1



GRAY	LONGITUDINAL	0.6	CUT	4.4	↑	6-	↑	-1
GRAY	LATERAL	1.0	CUT	4.4	J	5-		-1
BLACK	LONGITUDINAL	0.6	-	3.4	↑	1-		-1
BLACK	LATERAL	1.0	-	3.4	P			292177-1
HOUSING COLOR	5	FLOATING ALLOWANCE	CORNER CUT	øD	TYPE	P/N		

TOLERANCE

10 ≥ *	: ±0.2
30 ≥ * > 10	: ±0.25
100 ≥ * > 30	: ±0.3
ANGLE	: ±3°

THIS DRAWING IS A CONTROLLED DOCUMENT.

DWN	J. JIANG	05FEB03	 TE Connectivity	14P MINI-DRAWER CONNECTOR					
CHK	S. YAO	05FEB03							
APVD	T. SASAKI	05FEB03							
PRODUCT SPEC									
APPLICATION SPEC				NAME					
WEIGHT				SIZE	CAGE CODE	DRAWING NO	RESTRICTED TO		
CUSTOMER DRAWING				A3	00779	C-292177	-		
				SCALE	NTS	SHEET	1 OF 1	REV	A1