



Chipsmall Limited consists of a professional team with an average of over 10 year of expertise in the distribution of electronic components. Based in Hongkong, we have already established firm and mutual-benefit business relationships with customers from,Europe,America and south Asia,supplying obsolete and hard-to-find components to meet their specific needs.

With the principle of “Quality Parts,Customers Priority,Honest Operation,and Considerate Service”,our business mainly focus on the distribution of electronic components. Line cards we deal with include Microchip,ALPS,ROHM,Xilinx,Pulse,ON,Everlight and Freescale. Main products comprise IC,Modules,Potentiometer,IC Socket,Relay,Connector.Our parts cover such applications as commercial,industrial, and automotives areas.

We are looking forward to setting up business relationship with you and hope to provide you with the best service and solution. Let us make a better world for our industry!



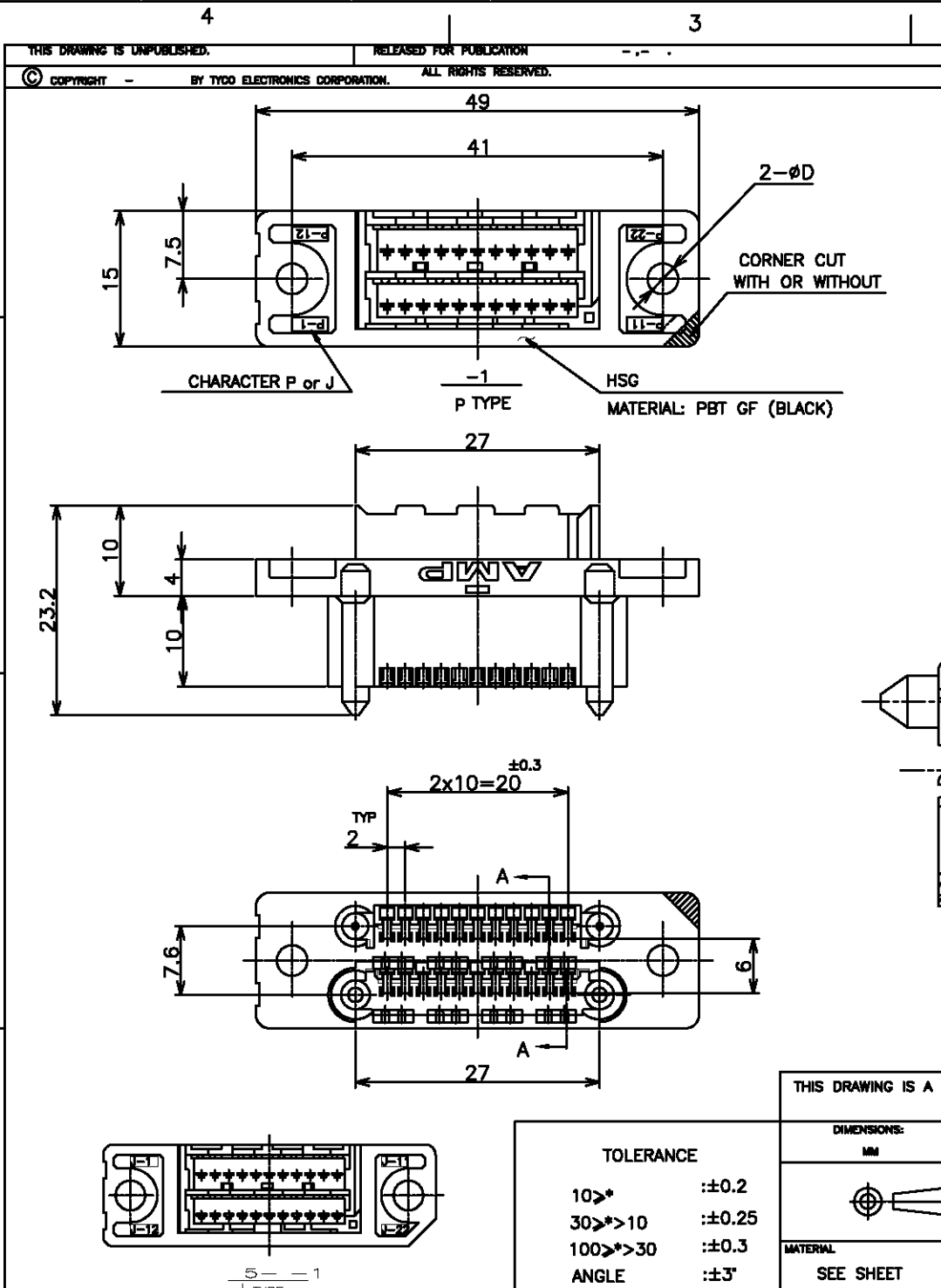
Contact us

Tel: +86-755-8981 8866 Fax: +86-755-8427 6832

Email & Skype: info@chipsmall.com Web: www.chipsmall.com

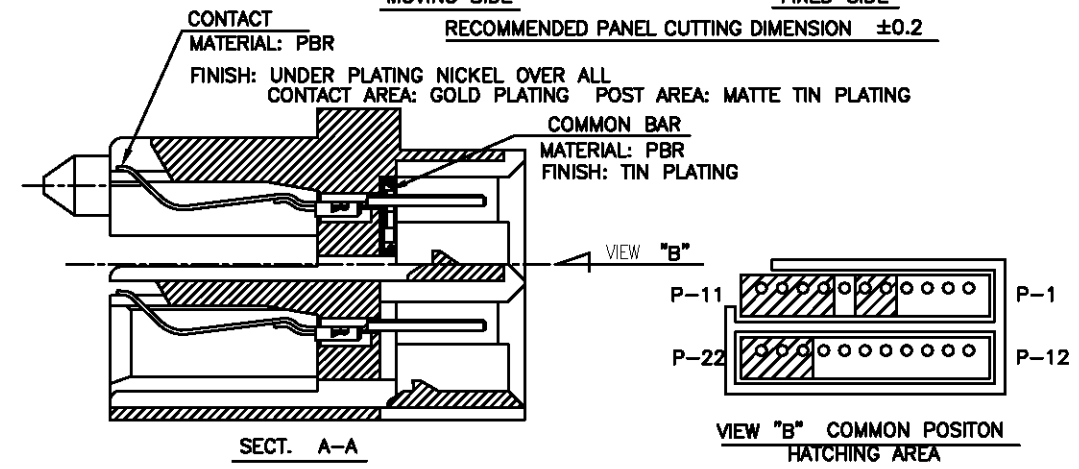
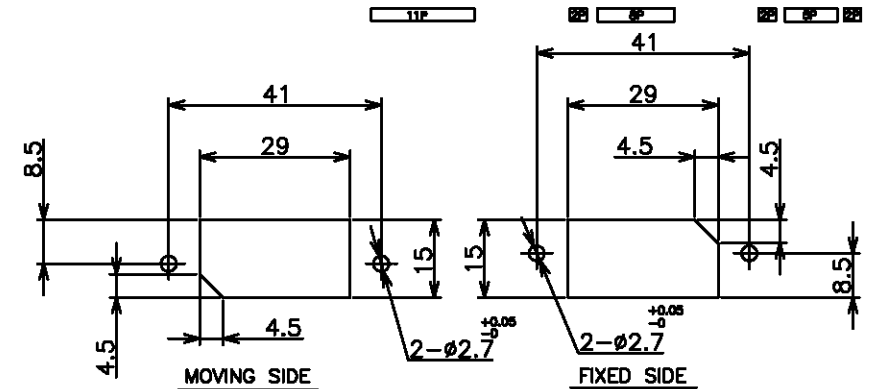
Address: A1208, Overseas Decoration Building, #122 Zhenhua RD., Futian, Shenzhen, China





LOG	DIST	REVISIONS					
ES	00	P	LTR	DESCRIPTION	DATE	DN	APVD
		A		REVISED FB00-0217-04	16DEC04	H.H	I.E

- NOTES:
- 1 APPLIED USED TAPPING SCREW P/N: 176848-1
 - 2 MATING CONN. OF POST SIDE: AMP CT CONN. HAS FOLLOWING PATTERN



— —	CUT	4.4	J	5-292178-1
WITH	— —	3.4	P	292178-2
— —	— —	3.4	P	292178-1
COMMON TAB	CORNER CUT	D	HSG TYPE	P/N

THIS DRAWING IS A CONTROLLED DOCUMENT.

DIMENSIONS: MM	TOLERANCES UNLESS OTHERWISE SPECIFIED	DRN J.JIANG	OSFEB03	 Tyco Electronics Corporation Shanghai, P.R.China,200233
	0 PLC ±	CHK S.YAO	OSFEB03	
	1 PLC ±	APVD T.SASAKI	OSFEB03	
	2 PLC ±	PRODUCT SPEC		
	3 PLC ±	108-60021		
MATERIAL	FINISH	WEIGHT	APPLY	NAME
SEE SHEET	SEE SHEET			22P MINI-DRAWER CONNECTOR
			APPLICATION SPEC	SIZE
				CAGE CODE
				DRAWING NO
				RESTRICTED TO
				A3 00779 C=292178
				CUSTOMER DRAWING
				SCALE NTS
				SHEET 1 OF 1
				REV A