



Chipsmall Limited consists of a professional team with an average of over 10 year of expertise in the distribution of electronic components. Based in Hongkong, we have already established firm and mutual-benefit business relationships with customers from,Europe,America and south Asia,supplying obsolete and hard-to-find components to meet their specific needs.

With the principle of "Quality Parts,Customers Priority,Honest Operation,and Considerate Service",our business mainly focus on the distribution of electronic components. Line cards we deal with include Microchip,ALPS,ROHM,Xilinx,Pulse,ON,Everlight and Freescale. Main products comprise IC,Modules,Potentiometer,IC Socket,Relay,Connector.Our parts cover such applications as commercial,industrial, and automotives areas.

We are looking forward to setting up business relationship with you and hope to provide you with the best service and solution. Let us make a better world for our industry!



Contact us

Tel: +86-755-8981 8866 Fax: +86-755-8427 6832

Email & Skype: info@chipsmall.com Web: www.chipsmall.com

Address: A1208, Overseas Decoration Building, #122 Zhenhua RD., Futian, Shenzhen, China



4

3

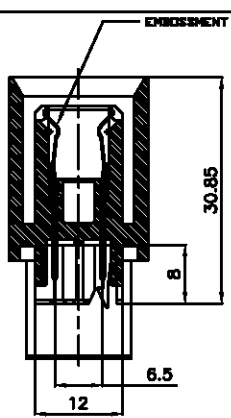
2

1

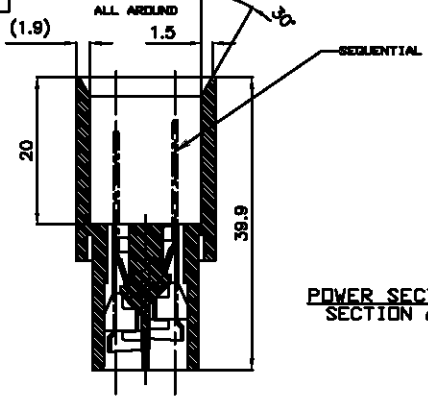
THIS DRAWING IS UNCLASSIFIED
 RELEASED FOR PUBLICATION
 BY THE ELECTRONIC COMPONENTS
 DIVISION, ALL RIGHTS RESERVED.

LOG	DATE	REVISIONS				
ES	00	REV	DESCRIPTION	DATE	BY	APP'D
A	REVISED	FB00-0217-04		18DEC04	H.H	I.E

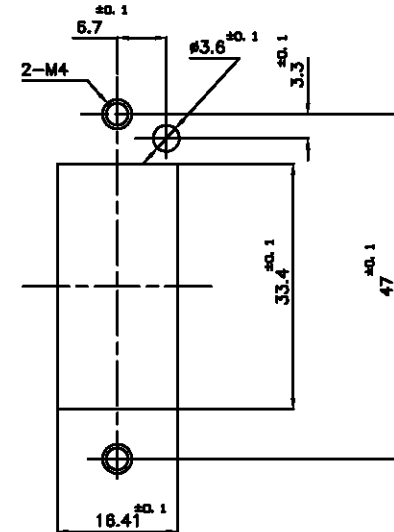
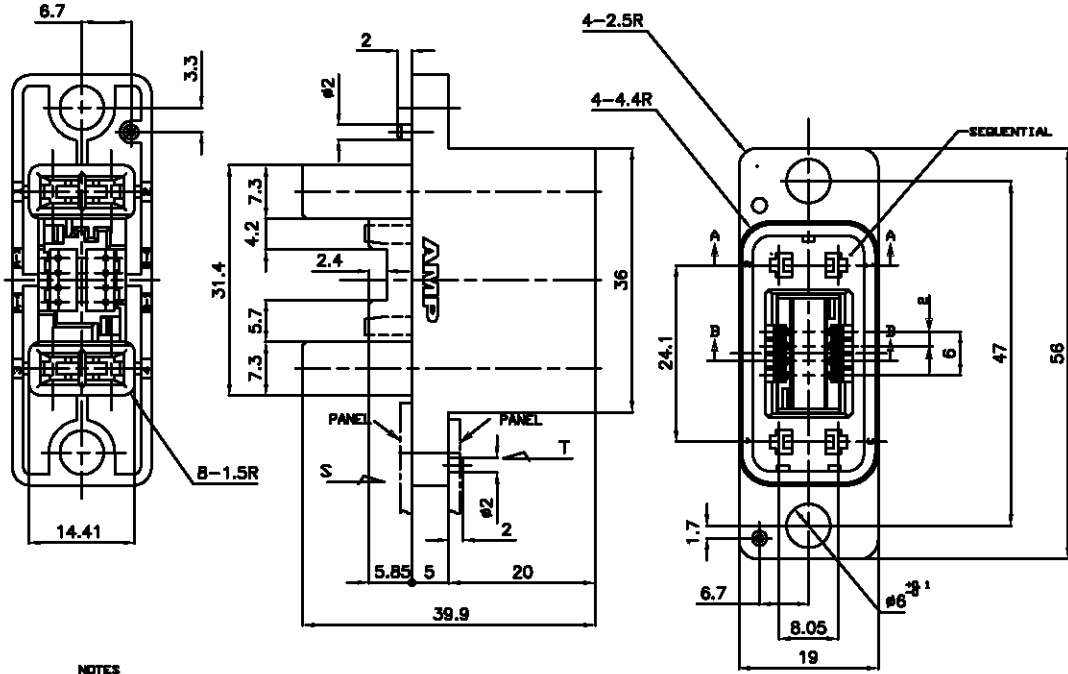
**SIGNAL SECTION
SECTION B-B**



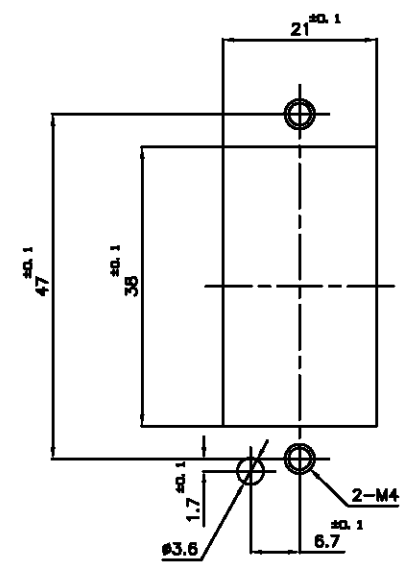
**POWER SECTION
SECTION A-A**



PANEL CUT DIMENSIONS



VIEW S



VIEW T

NOTES

- MATERIAL**
HOUSING: THERMO PLASTIC
CONTACT: COPPER ALLOY
- CONTACT FINISH**
MATING SIDE: NICKEL PL. ALL OVER GOLD PL.
CT MATING SIDE: NICKEL PL. ALL OVER MATTE TIN PL.
- APPLIED POWER CONTACT P/N**

FINISH	AWG	STRIP	LOOSE PIECE
GOLD PL.	#16-20	179321-3	
	#20-24	179322-3	
TIN PL.	#16-20	1-179321-B	
	#20-24	1-179322-B	

- ▲ P: NUMBER OF POWER CONTACT (UNLOADED)
 S: NUMBER OF SIGNAL CONTACT (PRELOADED)

THIS DRAWING IS A CONTROLLED DOCUMENT.

APPLIED CT HOLDER P/N	175133-8	APPLIED CT CONN P/N	173977-4	MATING CONTACT P/N	292185-B	POS (P-S)	4-B	P/N	292182-8
-----------------------	----------	---------------------	----------	--------------------	----------	-----------	-----	-----	----------

DESIGNED BY: MANG
 DRAWN BY: SYAO
 CHECKED BY: T.SASAKI
 PRODUCT SPEC: 10B-60022
 APPLICATOR SPEC: 114-5182
 MFG. PART: 114-5238

CUSTOMER DRAWING
 SCALE: NTS
 SHEET: 1 OF 1
 REV: A

TOLERANCE UNLESS OTHERWISE SPECIFIED:
 100μ ±0.2
 300μ > 10 ±0.25
 1000μ > 30 ±0.3
 ANGLE ±3°

DIMENSION: MM
 FINISH: 0 PIG, 1 PIG, 2 PIG, 3 PIG, 4 PIG, 5 PIG, 6 PIG, 7 PIG, 8 PIG, 9 PIG, 10 PIG, 11 PIG, 12 PIG, 13 PIG, 14 PIG, 15 PIG, 16 PIG, 17 PIG, 18 PIG, 19 PIG, 20 PIG, 21 PIG, 22 PIG, 23 PIG, 24 PIG, 25 PIG, 26 PIG, 27 PIG, 28 PIG, 29 PIG, 30 PIG, 31 PIG, 32 PIG, 33 PIG, 34 PIG, 35 PIG, 36 PIG, 37 PIG, 38 PIG, 39 PIG, 40 PIG, 41 PIG, 42 PIG, 43 PIG, 44 PIG, 45 PIG, 46 PIG, 47 PIG, 48 PIG, 49 PIG, 50 PIG, 51 PIG, 52 PIG, 53 PIG, 54 PIG, 55 PIG, 56 PIG, 57 PIG, 58 PIG, 59 PIG, 60 PIG, 61 PIG, 62 PIG, 63 PIG, 64 PIG, 65 PIG, 66 PIG, 67 PIG, 68 PIG, 69 PIG, 70 PIG, 71 PIG, 72 PIG, 73 PIG, 74 PIG, 75 PIG, 76 PIG, 77 PIG, 78 PIG, 79 PIG, 80 PIG, 81 PIG, 82 PIG, 83 PIG, 84 PIG, 85 PIG, 86 PIG, 87 PIG, 88 PIG, 89 PIG, 90 PIG, 91 PIG, 92 PIG, 93 PIG, 94 PIG, 95 PIG, 96 PIG, 97 PIG, 98 PIG, 99 PIG, 100 PIG

MATERIAL: SEE NOTE
 FINISH: SEE NOTE

TYPE: Electronics Corporation
 ADDRESS: Shanghai, P.R.China, 200233

HYBRID MINI DRAWER CONN.
 PLUG ASSY 4-8(12P) WITH SEQUENTIAL