



Chipsmall Limited consists of a professional team with an average of over 10 year of expertise in the distribution of electronic components. Based in Hongkong, we have already established firm and mutual-benefit business relationships with customers from,Europe,America and south Asia,supplying obsolete and hard-to-find components to meet their specific needs.

With the principle of “Quality Parts,Customers Priority,Honest Operation,and Considerate Service”,our business mainly focus on the distribution of electronic components. Line cards we deal with include Microchip,ALPS,ROHM,Xilinx,Pulse,ON,Everlight and Freescale. Main products comprise IC,Modules,Potentiometer,IC Socket,Relay,Connector.Our parts cover such applications as commercial,industrial, and automotives areas.

We are looking forward to setting up business relationship with you and hope to provide you with the best service and solution. Let us make a better world for our industry!



Contact us

Tel: +86-755-8981 8866 Fax: +86-755-8427 6832

Email & Skype: info@chipsmall.com Web: www.chipsmall.com

Address: A1208, Overseas Decoration Building, #122 Zhenhua RD., Futian, Shenzhen, China



4

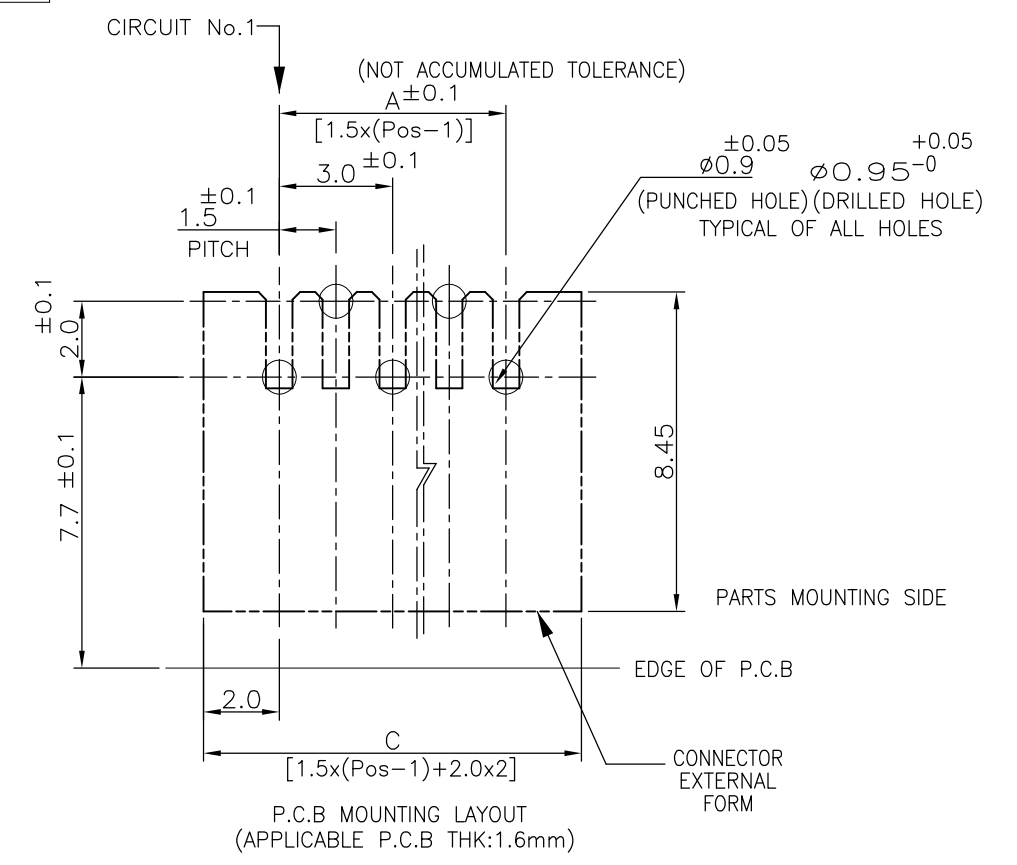
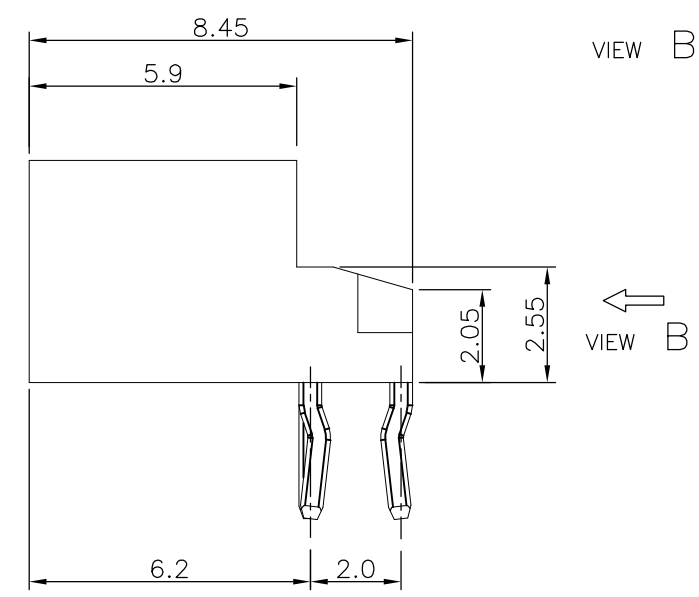
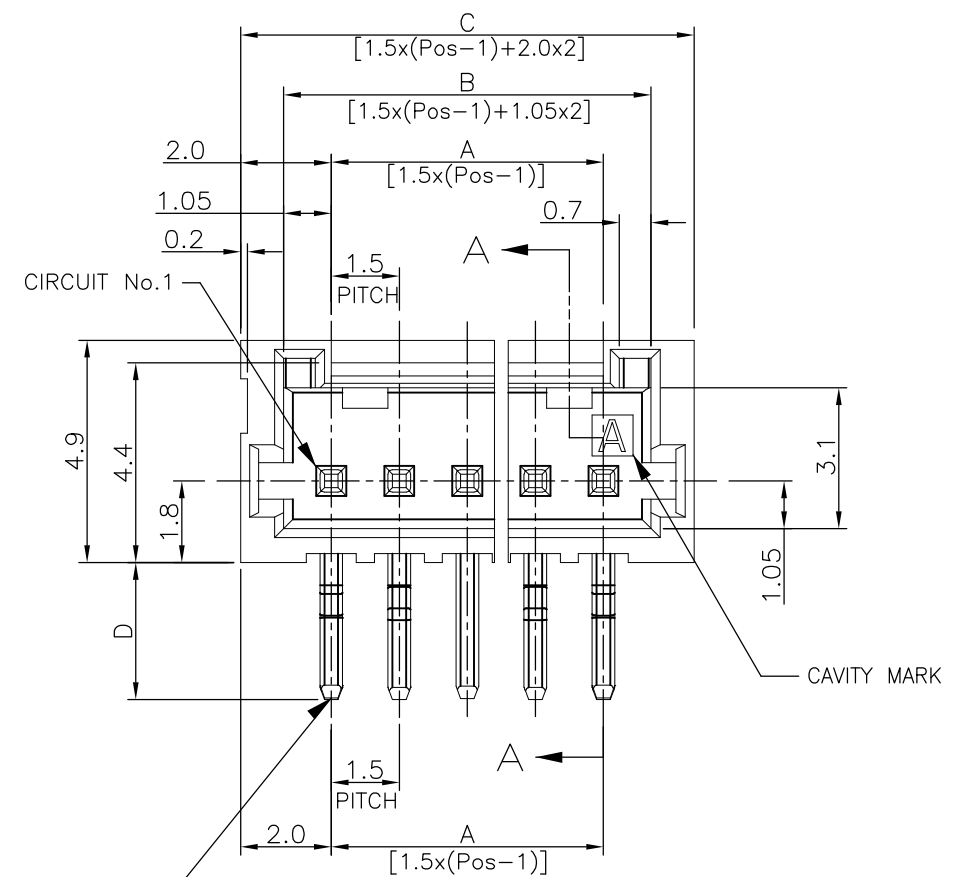
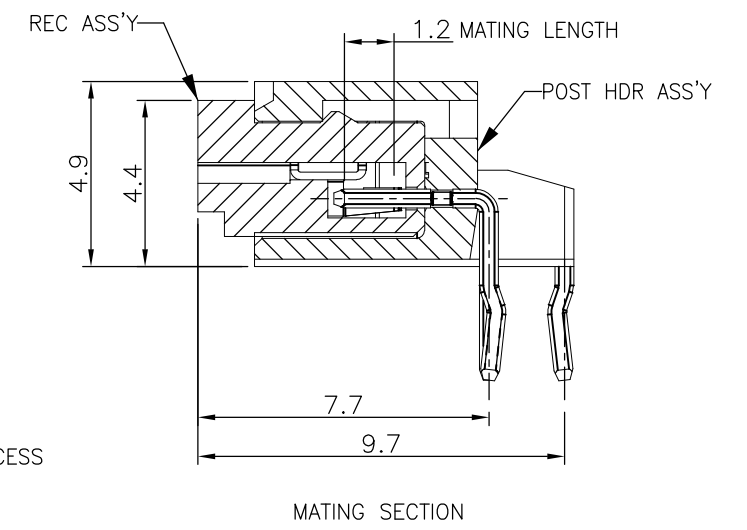
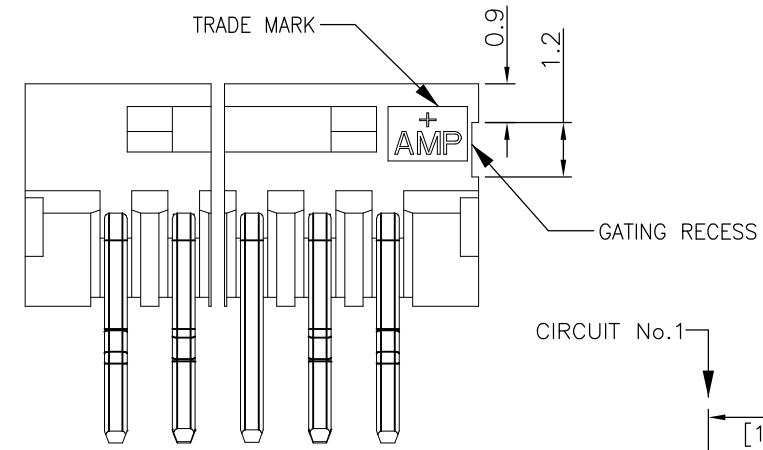
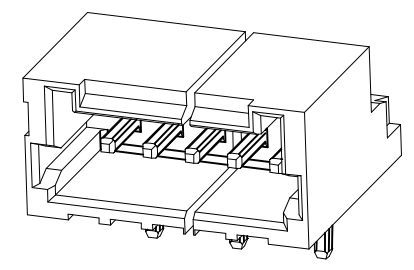
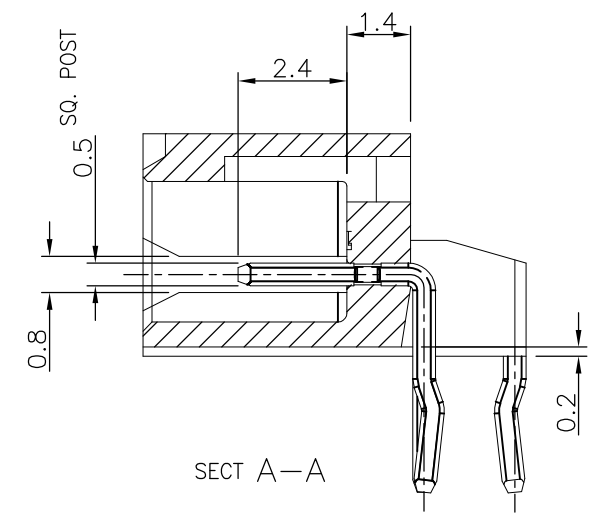
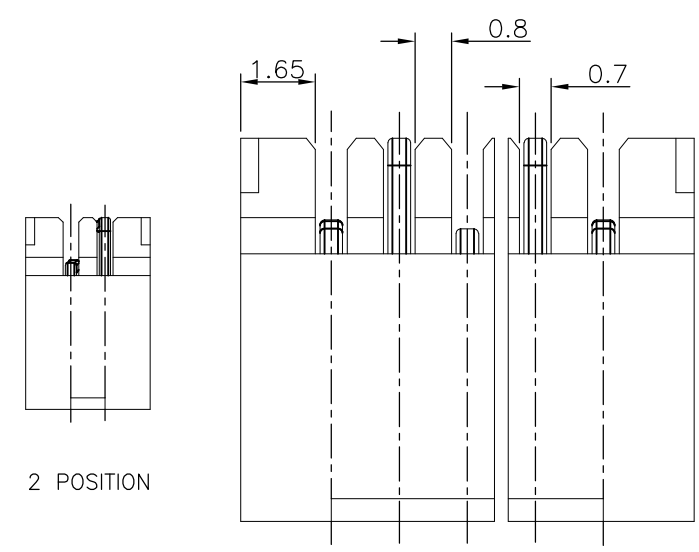
3

2

1

THIS DRAWING IS UNPUBLISHED. RELEASED FOR PUBLICATION
 © COPYRIGHT - By - ALL RIGHTS RESERVED.

LOC	DIST	REVISIONS					
ES	00	P	LTR	DESCRIPTION	DATE	DWN	APVD
			A1	REVISED PER ECO-11-005033	24MAR11	RK	HMR



KINKING FORMING BOTH SIDE EACH 2 PLACES TOTAL: 4 PLACES

NOTES:
 1.MATERIAL:
 HOUSING:NYLON(G.F.) UL94V-0,COLOR:GRAY,BLUE
 POST:PRE-TIN 0.5mm SQ. BRASS WIRE

TOLERANCES UNLESS OTHERWISE SPECIFIED:

10 >= *	: ±0.2
30 >= * > 10	: ±0.25
100 >= * > 30	: ±0.3
ANGLE	: ±3°

THIS DRAWING IS A CONTROLLED DOCUMENT.		DWN S.YAO 06DEC02		TE Connectivity	
DIMENSIONS: MM		CHK T.SASAKI 31JAN03			
TOLERANCES UNLESS OTHERWISE SPECIFIED:		APVD T.SASAKI 31JAN03		NAME	
0 PLC ± -		PRODUCT SPEC		AMP Mini CT Connector 1.5mm Pitch	
1 PLC ± -		108-60018		Single Row HDR Ass'y (H) DIP Staggered Type with Kink	
2 PLC ± -		APPLICATION SPEC		SIZE	
3 PLC ± -		114-5223		CAGE CODE	
4 PLC ± -		WEIGHT SEE TABLE		DRAWING NO	
ANGLES ± -		CUSTOMER DRAWING		A300779 C-292206	
FINISH		SCALE NON		RESTRICTED TO	
SEE NOTE 1		SHEET 1 OF 2		REV A1	

LOC	DIST	REVISIONS					
ES	00	P	LTR	DESCRIPTION	DATE	DWN	APVD
			-	SEE SHEET 1	-	-	-


0.23	2.5	7.0	5.1	3.0	3		9-292206-3
1.11	3.0	32.5	30.6	28.5	20	7-292206-0	2-292206-0
1.06	3.0	31.0	29.1	27.0	19	6-292206-9	1-292206-9
1.01	3.0	29.5	27.6	25.5	18	6-292206-8	1-292206-8
0.96	3.0	28.0	26.1	24.0	17	6-292206-7	1-292206-7
0.91	3.0	26.5	24.6	22.5	16	6-292206-6	1-292206-6
0.86	3.0	25.0	23.1	21.0	15	6-292206-5	1-292206-5
0.81	3.0	23.5	21.6	19.5	14	6-292206-4	1-292206-4
0.75	3.0	22.0	20.1	18.0	13	6-292206-3	1-292206-3
0.70	3.0	20.5	18.6	16.5	12	6-292206-2	1-292206-2
0.65	3.0	19.0	17.1	15.0	11	6-292206-1	1-292206-1
0.60	3.0	17.5	15.6	13.5	10	6-292206-0	1-292206-0
0.54	3.0	16.0	14.1	12.0	9	5-292206-9	292206-9
0.49	3.0	14.5	12.6	10.5	8	5-292206-8	292206-8
0.44	3.0	13.0	11.1	9.0	7	5-292206-7	292206-7
0.40	3.0	11.5	9.6	7.5	6	5-292206-6	292206-6
0.34	3.0	10.0	8.1	6.0	5	5-292206-5	292206-5
0.29	3.0	8.5	6.6	4.5	4	5-292206-4	292206-4
0.24	3.0	7.0	5.1	3.0	3	5-292206-3	292206-3
0.19	3.0	5.5	3.6	1.5	2	5-292206-2	292206-2
WEIGHT (g)	D	C	B	A	Pos.	BLUE	GRAY
	DIMENSIONS					PART NO	

RELEASED FOR PUBLICATION

ALL RIGHTS RESERVED.

THIS DRAWING IS UNPUBLISHED.

© COPYRIGHT - By -

DIMENSIONS: mm	DWN -	MATERIAL -	FINISH -
TOLERANCES UNLESS OTHERWISE SPECIFIED:	CHK -	 TE Connectivity	
0 PLC ± - 1 PLC ± SEE SHEET 2 PLC ± 1 OF 2 3 PLC ± - 4 PLC ± - ANGLES ± -	APVD -		
	PRODUCT SPEC -	SIZE A4	CAGE CODE 00779
	APPLICATION SPEC -	DRAWING NO C-292206	RESTRICTED TO -
	WEIGHT -	CUSTOMER DRAWING	
		SCALE -	SHEET 2 OF 2
		REV A1	