



Chipsmall Limited consists of a professional team with an average of over 10 year of expertise in the distribution of electronic components. Based in Hongkong, we have already established firm and mutual-benefit business relationships with customers from,Europe,America and south Asia,supplying obsolete and hard-to-find components to meet their specific needs.

With the principle of “Quality Parts,Customers Priority,Honest Operation,and Considerate Service”,our business mainly focus on the distribution of electronic components. Line cards we deal with include Microchip,ALPS,ROHM,Xilinx,Pulse,ON,Everlight and Freescale. Main products comprise IC,Modules,Potentiometer,IC Socket,Relay,Connector.Our parts cover such applications as commercial,industrial, and automotives areas.

We are looking forward to setting up business relationship with you and hope to provide you with the best service and solution. Let us make a better world for our industry!



## Contact us

Tel: +86-755-8981 8866 Fax: +86-755-8427 6832

Email & Skype: info@chipsmall.com Web: www.chipsmall.com

Address: A1208, Overseas Decoration Building, #122 Zhenhua RD., Futian, Shenzhen, China



THIS DRAWING IS UNPUBLISHED.

RELEASED FOR PUBLICATION

20

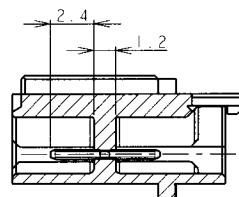
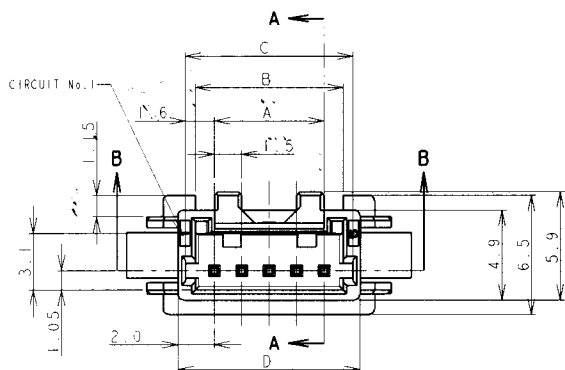
© COPYRIGHT

ALL RIGHTS RESERVED.

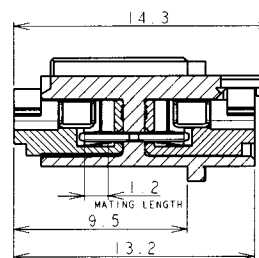
LOC DIST  
FB 00

REVISIONS

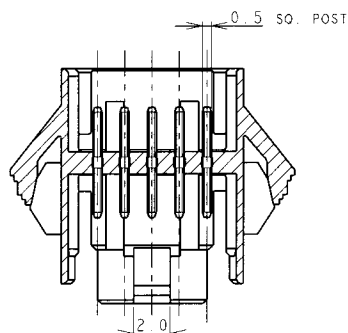
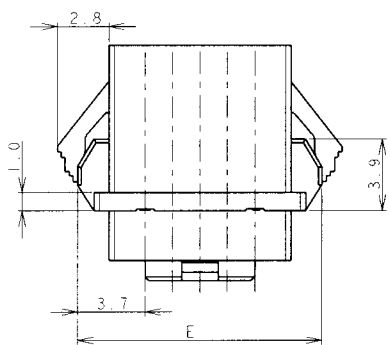
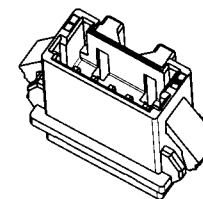
P	LTR	DESCRIPTION	DATE	DWN	APVD
P		REVISED PER ECO-11-005033	15APR11	RK	HMR



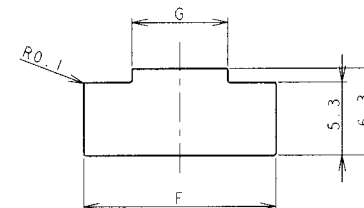
SECT A-A



MATING SECTION



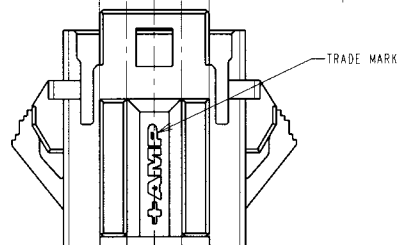
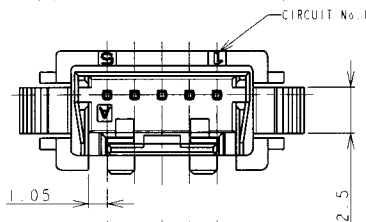
SECT B-B



PANEL CUTOUT DIMENSION (TOLERANCE:  $\pm 0.1\text{mm}$ )  
(RECOMMENDED PANEL THICKNESS: 0.8mm ~ 1.6mm)

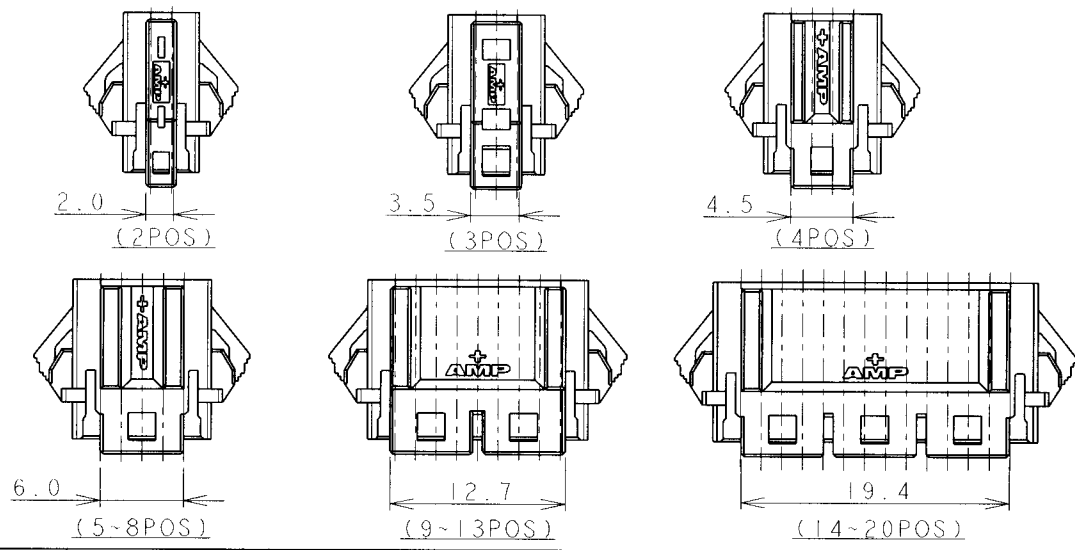
NOTES

- 1. MATERIAL: HOUSING: 66NYLON(94V-0), COLOR: WHITE, BLUE  
POST: TIN BRASS WIRE
- 2. THE PANEL SHOULD BE PUNCHED SO THAT THE HOUSING ENTERS THE PANEL IN THE SAME DIRECTION AS PUNCH.



DIMENSIONS (mm)		TOLERANCES UNLESS OTHERWISE SPECIFIED: ID $\pm$ : $\pm 0.2$ 30 > ID : $\pm 0.25$ 100 > ID : $\pm 0.3$ ANGLE : $\pm 3^\circ$	DWN: J. JIANG 04FEB03		<b>AMP</b> MINI COMMON TERMINATED (CT) CONNECTOR 1.5mm PITCH SINGLE ROW POST HEADER ASS'Y PANEL MOUNT TYPE
MATERIAL			CHK: S. YAO 04FEB03		
FINISH		APVD: T. SASAKI 04FEB03	SCALE: NON		
SEE NOTE 1		PRODUCT SPEC: 108-60018	SHEET: 1 OF 2		
SEE NOTE 1		APPLICATION SPEC: 114-5223	DRAWING NO: C-292215	REV: P	
CUSTOMER DRAWING		WEIGHT:	SIZE: A3	CAGE CODE: 00779	

LOC	DIST	REVISIONS			DATE	DWN	APVD
FB	00	P	LTR	DESCRIPTION			
		-		SEE SHEET 1	-	-	-



1.41	19.8	36.5	35.9	32.5	31.7	30.6	28.5	20	7-292215-0	2-292215-0
1.35	19.8	35.0	34.4	31.0	30.2	29.1	27.0	19	6-292215-9	1-292215-9
1.30	19.8	33.5	32.9	29.5	28.7	27.6	25.5	18	6-292215-8	1-292215-8
1.24	19.8	32.0	31.4	28.0	27.2	26.1	24.0	17	6-292215-7	1-292215-7
1.19	19.8	30.5	29.9	26.5	25.7	24.6	22.5	16	6-292215-6	1-292215-6
1.13	19.8	29.0	28.4	25.0	24.2	23.1	21.0	15	6-292215-5	1-292215-5
1.08	19.8	27.5	26.9	23.5	22.7	21.6	19.5	14	6-292215-4	1-292215-4
0.97	13.1	26.0	25.4	22.0	21.2	20.1	18.0	13	6-292215-3	1-292215-3
0.92	13.1	24.5	23.9	20.5	19.7	18.6	16.5	12	6-292215-2	1-292215-2
0.86	13.1	23.0	22.4	19.0	18.2	17.1	15.0	11	6-292215-1	1-292215-1
0.81	13.1	21.5	20.9	17.5	16.7	15.6	13.5	10	6-292215-0	1-292215-0
0.75	13.1	20.0	19.4	16.0	15.2	14.1	12.0	9	5-292215-9	0-292215-9
0.64	6.4	18.5	17.9	14.5	13.7	12.6	10.5	8	5-292215-8	0-292215-8
0.59	6.4	17.0	16.4	13.0	12.2	11.1	9.0	7	5-292215-7	0-292215-7
0.53	6.4	15.5	14.9	11.5	10.7	9.6	7.5	6	5-292215-6	0-292215-6
0.48	6.4	14.0	13.4	10.0	9.2	8.1	6.0	5	5-292215-5	0-292215-5
0.44	4.9	12.5	11.9	8.5	7.7	6.6	4.5	4	5-292215-4	0-292215-4
0.37	4.1	11.0	10.4	7.0	6.2	5.1	3.0	3	5-292215-3	0-292215-3
0.30	2.6	9.5	8.9	5.5	4.7	3.6	1.5	2	5-292215-2	0-292215-2
WEIGHT (g)	G	F	E	D	C	B	A		BLUE	WHITE
	DIMENSIONS							Pos	P/N	

20  
 RELEASED FOR PUBLICATION  
 ALL RIGHTS RESERVED  
 THIS DRAWING IS UNPUBLISHED  
 COPYRIGHT ©

DIMENSIONS: mm	DWN -	MATERIAL SEE SHEET 1	FINISH SEE SHEET 1
TOLERANCES UNLESS OTHERWISE SPECIFIED: 10 > : ±0.2 30 > 10 : ±0.25 100 > 30 : ±0.3 ANGLE : ±3°	CHK -	<b>TE Connectivity</b>	
	APVD -		
	PRODUCT SPEC -	SIZE A4	CAGE CODE 00779
	APPLICATION SPEC -	DRAWING NO C-292215	RESTRICTED TO -
	WEIGHT -	CUSTOMER DRAWING	
		SCALE NON	SHEET 2 OF 2
			REV P