



Chipsmall Limited consists of a professional team with an average of over 10 year of expertise in the distribution of electronic components. Based in Hongkong, we have already established firm and mutual-benefit business relationships with customers from,Europe,America and south Asia,supplying obsolete and hard-to-find components to meet their specific needs.

With the principle of “Quality Parts,Customers Priority,Honest Operation,and Considerate Service”,our business mainly focus on the distribution of electronic components. Line cards we deal with include Microchip,ALPS,ROHM,Xilinx,Pulse,ON,Everlight and Freescale. Main products comprise IC,Modules,Potentiometer,IC Socket,Relay,Connector.Our parts cover such applications as commercial,industrial, and automotives areas.

We are looking forward to setting up business relationship with you and hope to provide you with the best service and solution. Let us make a better world for our industry!



Contact us

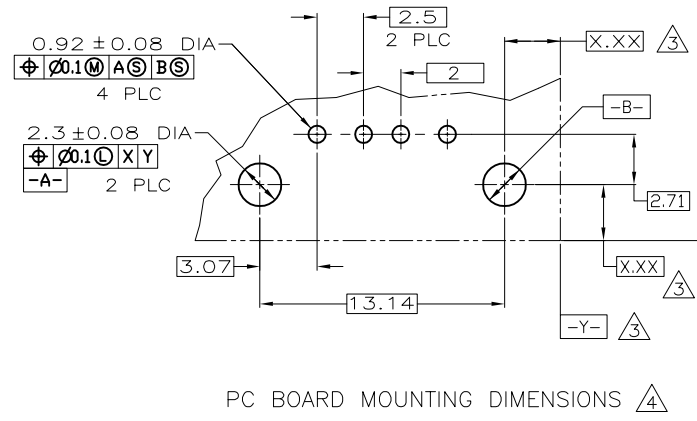
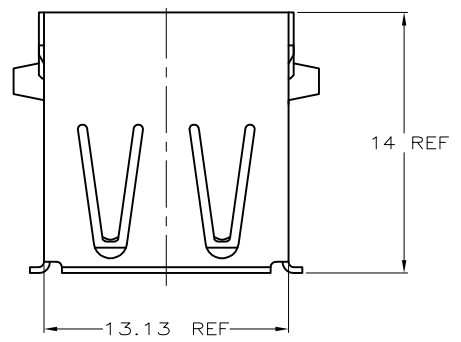
Tel: +86-755-8981 8866 Fax: +86-755-8427 6832

Email & Skype: info@chipsmall.com Web: www.chipsmall.com

Address: A1208, Overseas Decoration Building, #122 Zhenhua RD., Futian, Shenzhen, China

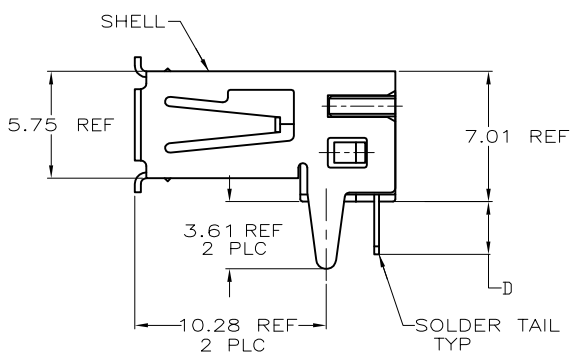
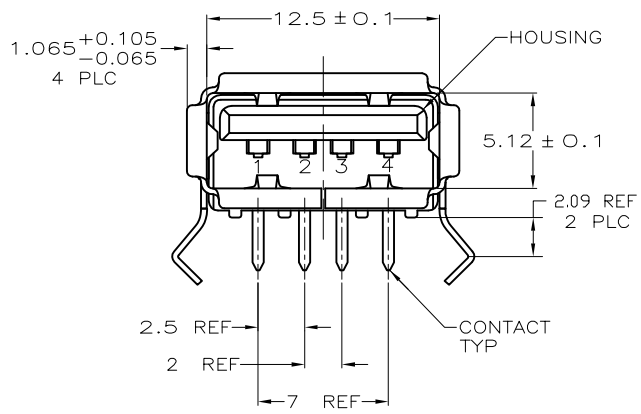


REVISIONS						
LOC	DIST	REV	DESCRIPTION	DATE	DRN	APVD
ES	00	E9	REVISED PER ECR-12-014684	16AUG2012	J.H	S.Y



PC BOARD MOUNTING DIMENSIONS Δ 4

- Δ MATERIAL:
SHELL & CONTACTS- COPPER ALLOY.
HOUSING: UL 94V-0 RATED, THERMOPLASTIC, COLOR SEE TABLE.
- Δ PLATING:
CONTACTS: 0.076 μ m MINIMUM GOLD OVER 0.76 μ m MINIMUM PALLADIUM-NICKEL ON MATING AREA.
3.8 μ m MINIMUM MATTE TIN ON SOLDER TAILS.
BOTH OVER 1.27 μ m MINIMUM NICKEL.
CONTACT ALTERNATE PLATING: 0.76 μ m MIN GOLD ON MATING AREA, 3.80 μ m MIN MATTE TIN ON SOLDER TAILS, BOTH OVER 1.27 μ m MIN NICKEL.
SHELL: 2~5 μ m MINIMUM BRIGHT TIN
- Δ DATUM AND BASIC DIMENSIONS ESTABLISHED BY CUSTOMER.
- Δ RECOMMENDED PC BOARD THICKNESS OF 1.57.
- E9 Δ PLATING:
CONTACTS: 0.76 μ m MINIMUM PALLADIUM-NICKEL ON MATING AREA.
3.8 μ m MINIMUM MATTE TIN ON SOLDER TAILS.
BOTH OVER 1.27 μ m MINIMUM NICKEL.
SHELL: 2~5 μ m MINIMUM BRIGHT TIN



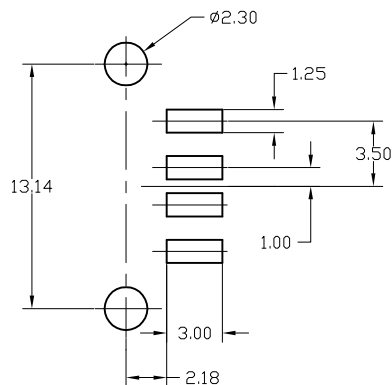
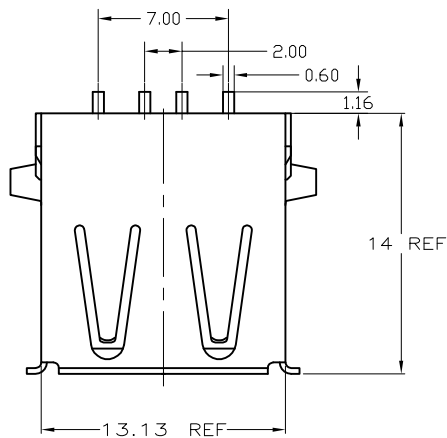
Δ	YES	2.84	BLACK	2-292303-0 E9
Δ	YES	2.29	BLACK	1-292303-9 E8
Δ	NO	3.81	BLACK	1-292303-5
Δ	NO	3.56	BLACK	1-292303-4
Δ	NO	3.20	BLACK	1-292303-3
Δ	YES	3.30	BLACK	1-292303-2
Δ	YES	2.29	BLACK	292303-6
Δ	YES	2.84	NATURAL	292303-5
Δ	YES	2.84	BLACK	292303-4
Δ	NO	2.84	NATURAL	292303-3
Δ	NO	2.29	BLACK	292303-2
Δ	NO	2.84	BLACK	292303-1
CONTACT PLATING	HIGH TEMPERATURE COMPATIBLE	D	HOUSING COLOR	PART NUMBER

THIS DRAWING IS A CONTROLLED DOCUMENT.

DIMENSIONS: mm	TOLERANCES UNLESS OTHERWISE SPECIFIED:	DRN: J. JIANG 19FEB04	
0 PLC ± -	1 PLC ± -	CHK: S. YAO 19FEB04	
2 PLC ± 0.25	3 PLC ± -	APVD: T. SASAKI 19FEB04	NAME: RECEPTACLE ASSEMBLY RIGHT
4 PLC ± -	ANGLES ± -	PRODUCT SPEC: 108-60034	ANGLE, 4 POSITION, T/H & SMT
MATERIAL: Δ 1	FINISH: SEE TABLE	APPLICATION SPEC: -	USB, LEAD FREE VERSION
WEIGHT: -	CUSTOMER DRAWING	SIZE: A2	RESTRICTED TO: -
SCALE: 5:1	SHEET: 1 of 4	DRAWING NO: 00779	REV: E9
		NAME: 292303	

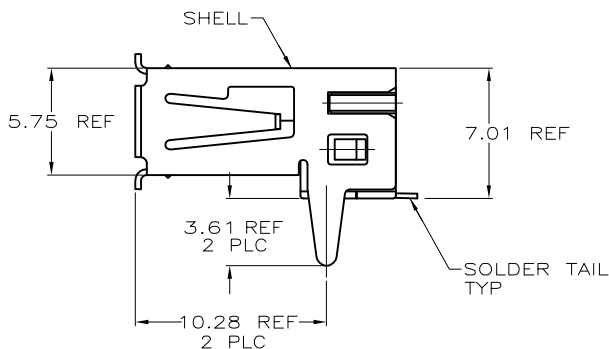
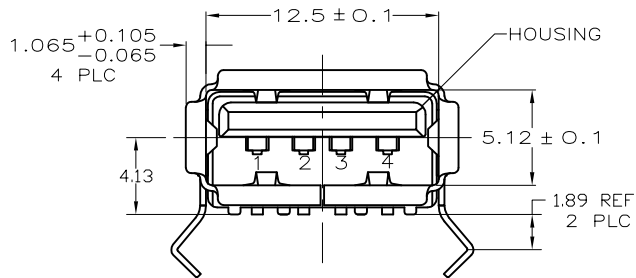
THIS DRAWING IS UNPUBLISHED. RELEASED FOR PUBLICATION
 © COPYRIGHT - By - ALL RIGHTS RESERVED.

REVISIONS							
LOC	DIST	P	LTR	DESCRIPTION	DATE	DRN	APVD
ES	00	-	-	SEE SHEET 1	-	-	-



- ⚠ MATERIAL:
SHELL & CONTACTS- COPPER ALLOY.
HOUSING: UL 94V-0 RATED, THERMOPLASTIC, COLOR SEE TABLE.
- ⚠ PLATING:
CONTACTS: 0.076 μm MINIMUM GOLD OVER 0.76 μm MINIMUM PALLADIUM-NICKEL ON MATING AREA.
3.8 μm MINIMUM MATTE TIN ON SOLDER TAILS.
BOTH OVER 1.27 μm MINIMUM NICKEL.
CONTACT ALTERNATE PLATING: 0.76 μm MIN GOLD ON MATING AREA, 3.80 μm MIN MATTE TIN ON SOLDER TAILS, BOTH OVER 1.27 μm MIN NICKEL.
SHELL: 2~5 μm MINIMUM BRIGHT TIN
- ⚠ RECOMMENDED PC BOARD THICKNESS OF 1.42.

RECOMMENDED PC BOARD MOUNTING LAYOUT ⚠
 (TOLERANCE= ± 0.05)

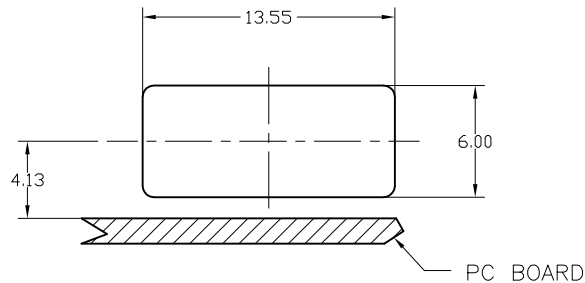
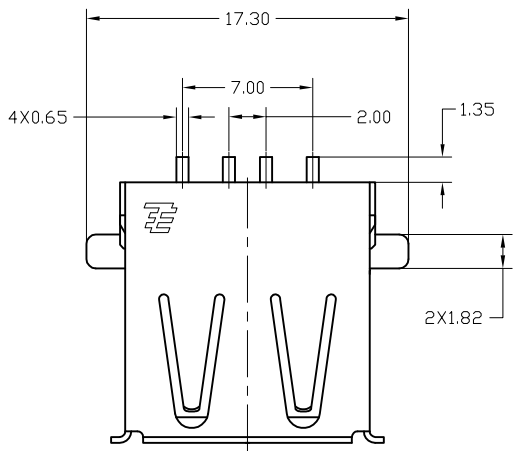


YES	BLACK	1-292303-1
YES	NATURAL	292303-7
HIGH TEMPERATURE COMPATIBLE	HOUSING COLOR	PART NUMBER

THIS DRAWING IS A CONTROLLED DOCUMENT.		DIN 19FEB04		TE TE Connectivity	
DIMENSIONS: mm		GJK 19FEB04			
TOLERANCES UNLESS OTHERWISE SPECIFIED:		APVD T.SASAKI 19FEB04		NAME	
0 PLC ± -		PRODUCT SPEC		RECEPTACLE ASSEMBLY RIGHT	
1 PLC ± -		108-60034		ANGLE, 4 POSITION, T/H & SMT	
2 PLC ± 0.25		APPLICATION SPEC		USB, LEAD FREE VERSION	
3 PLC ± -		SIZE		RESTRICTED TO	
4 PLC ± -		A2		-	
ANGLES		CAGE CODE		DRAWING NO	
FINISH		00779		292303	
MATERIAL		WEIGHT		SCALE	
1		-		5:1	
2		CUSTOMER DRAWING		SHEET	
				2 of 4	
				REV	
				E9	

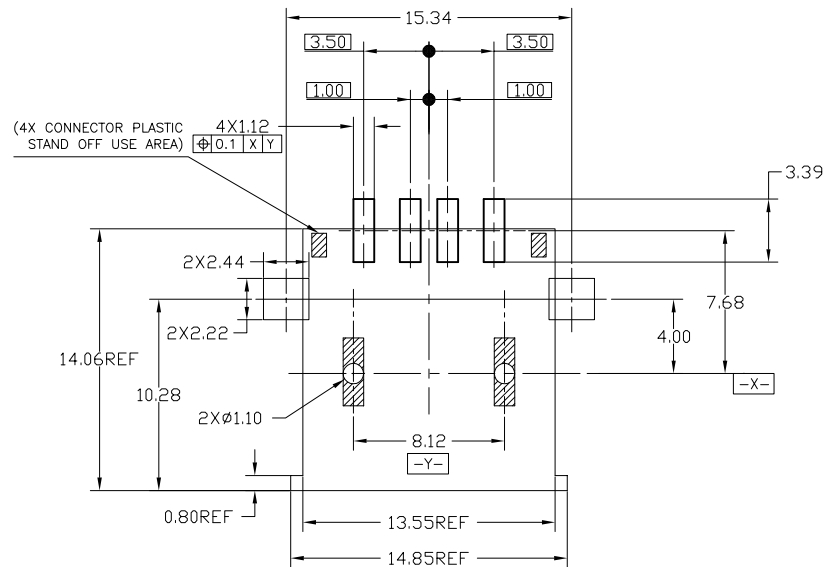
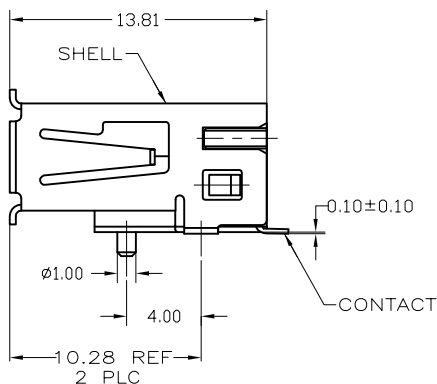
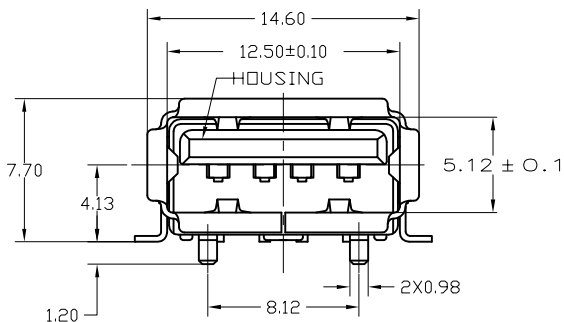
THIS DRAWING IS UNPUBLISHED. RELEASED FOR PUBLICATION
 © COPYRIGHT - By - ALL RIGHTS RESERVED.

REVISIONS							
LOC	DIST	P	LTR	DESCRIPTION	DATE	DRN	APVD
ES	00	-	-	SEE SHEET 1	-	-	-



RECOMMENDED MOUNTING PANEL CUTOUT

- ⚠ MATERIAL:
SHELL & CONTACTS- COPPER ALLOY.
HOUSING: UL 94V-0 RATED, THERMOPLASTIC, COLOR SEE TABLE.
- ⚠ PLATING:
CONTACTS: 0.076 μm MINIMUM GOLD OVER 0.76 μm MINIMUM PALLADIUM-NICKEL ON MATING AREA.
3.8 μm MINIMUM MATTE TIN ON SOLDER TAILS.
BOTH OVER 1.27 μm MINIMUM NICKEL.
CONTACT ALTERNATE PLATING: 0.76 μm MIN GOLD ON MATING AREA, 3.80 μm MIN MATTE TIN ON SOLDER TAILS, BOTH OVER 1.27 μm MIN NICKEL.
SHELL: 2~5 μm MINIMUM BRIGHT TIN
- ⚠ PANEL IS NEEDED FOR CUSTOMER.
- ⚠ THIS P/N IS PRELIMINARY.



RECOMMENDED PC BOARD MOUNTING LAYOUT (TOLERANCE=±0.05)

YES	BLACK	1-292303-6
YES	NATURAL	292303-9
HIGH TEMPERATURE COMPATIBLE	HOUSING COLOR	PART NUMBER

THIS DRAWING IS A CONTROLLED DOCUMENT.		DRN LIUJIANG 19FEB04	TE Connectivity
DIMENSIONS: mm		CHK S.YAO 19FEB04	
TOLERANCES UNLESS OTHERWISE SPECIFIED:		APVD T.SASAKI 19FEB04	NAME
0 PLC ± -		PRODUCT SPEC	RECEPTACLE ASSEMBLY RIGHT
1 PLC ± 0.25		APPLICATION SPEC	ANGLE, 4 POSITION, T/H & SMT
2 PLC ± -		WEIGHT	USB, LEAD FREE VERSION
3 PLC ± -		CUSTOMER DRAWING	RESTRICTED TO
4 PLC ± -		SCALE 5:1	
ANGLES		SHEET 4 of 4	
FINISH		REV E9	