



Chipsmall Limited consists of a professional team with an average of over 10 year of expertise in the distribution of electronic components. Based in Hongkong, we have already established firm and mutual-benefit business relationships with customers from,Europe,America and south Asia,supplying obsolete and hard-to-find components to meet their specific needs.

With the principle of “Quality Parts,Customers Priority,Honest Operation,and Considerate Service”,our business mainly focus on the distribution of electronic components. Line cards we deal with include Microchip,ALPS,ROHM,Xilinx,Pulse,ON,Everlight and Freescale. Main products comprise IC,Modules,Potentiometer,IC Socket,Relay,Connector.Our parts cover such applications as commercial,industrial, and automotives areas.

We are looking forward to setting up business relationship with you and hope to provide you with the best service and solution. Let us make a better world for our industry!



## Contact us

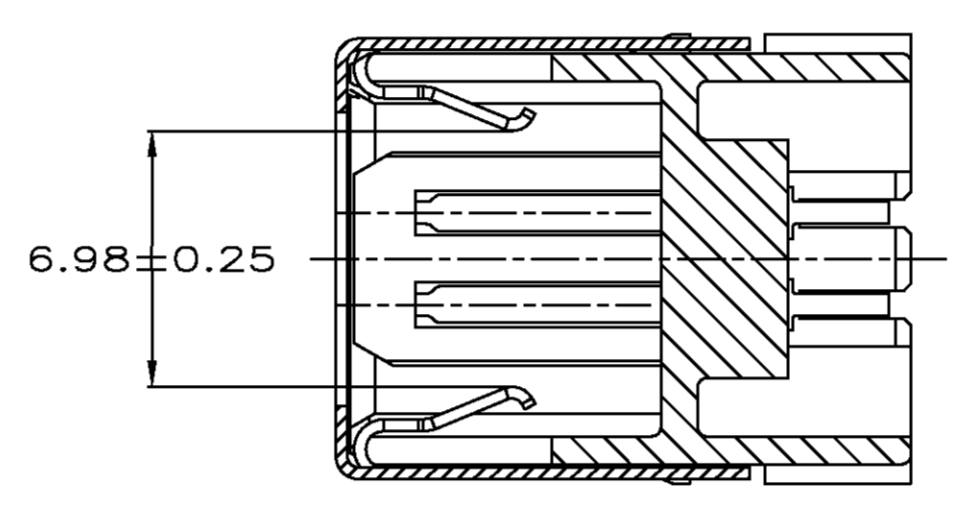
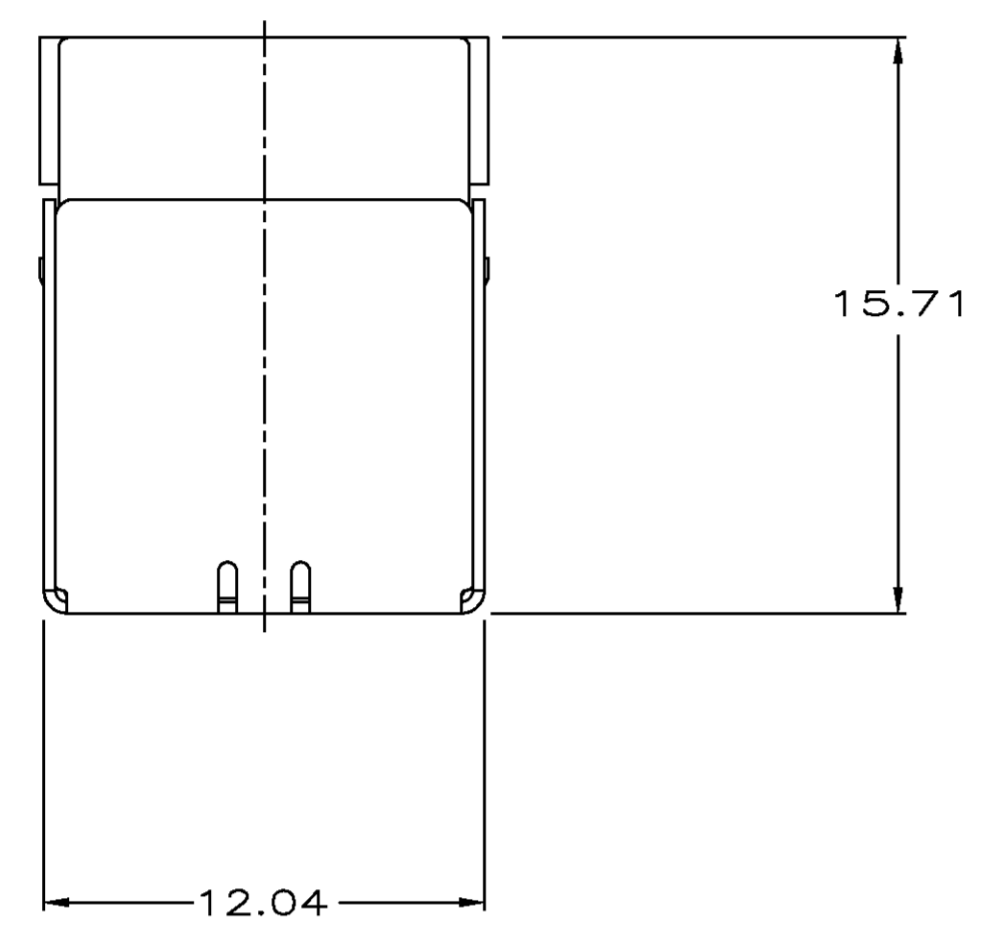
Tel: +86-755-8981 8866 Fax: +86-755-8427 6832

Email & Skype: info@chipsmall.com Web: www.chipsmall.com

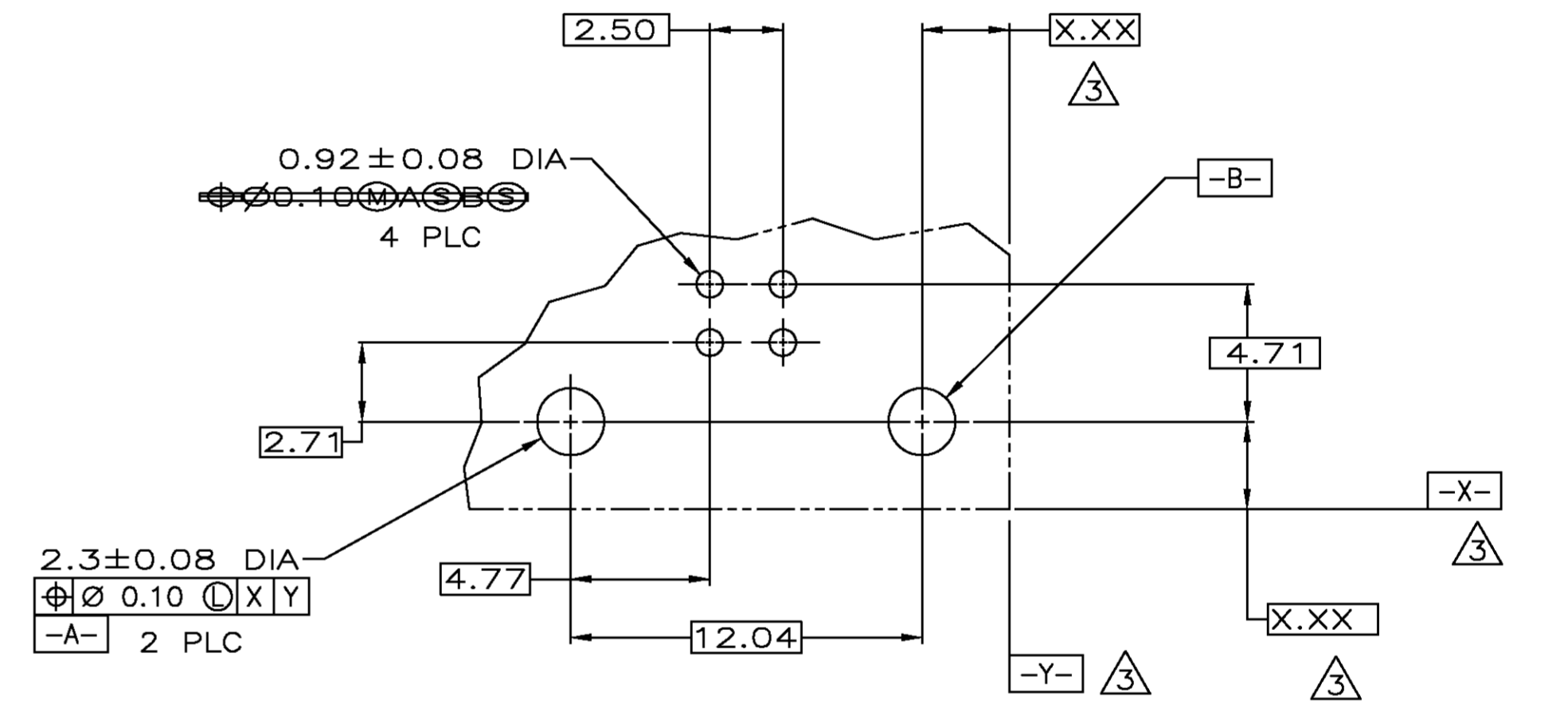
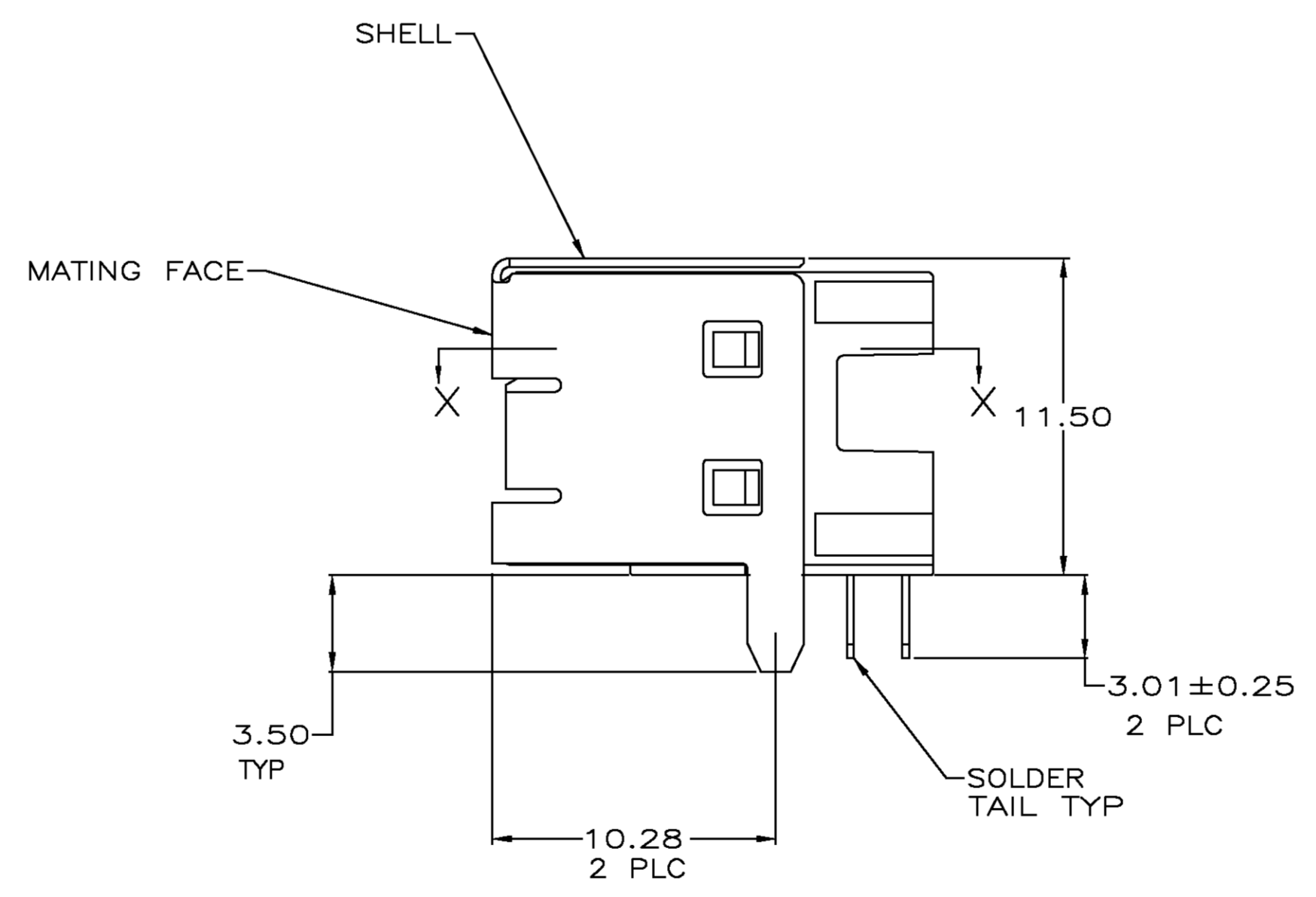
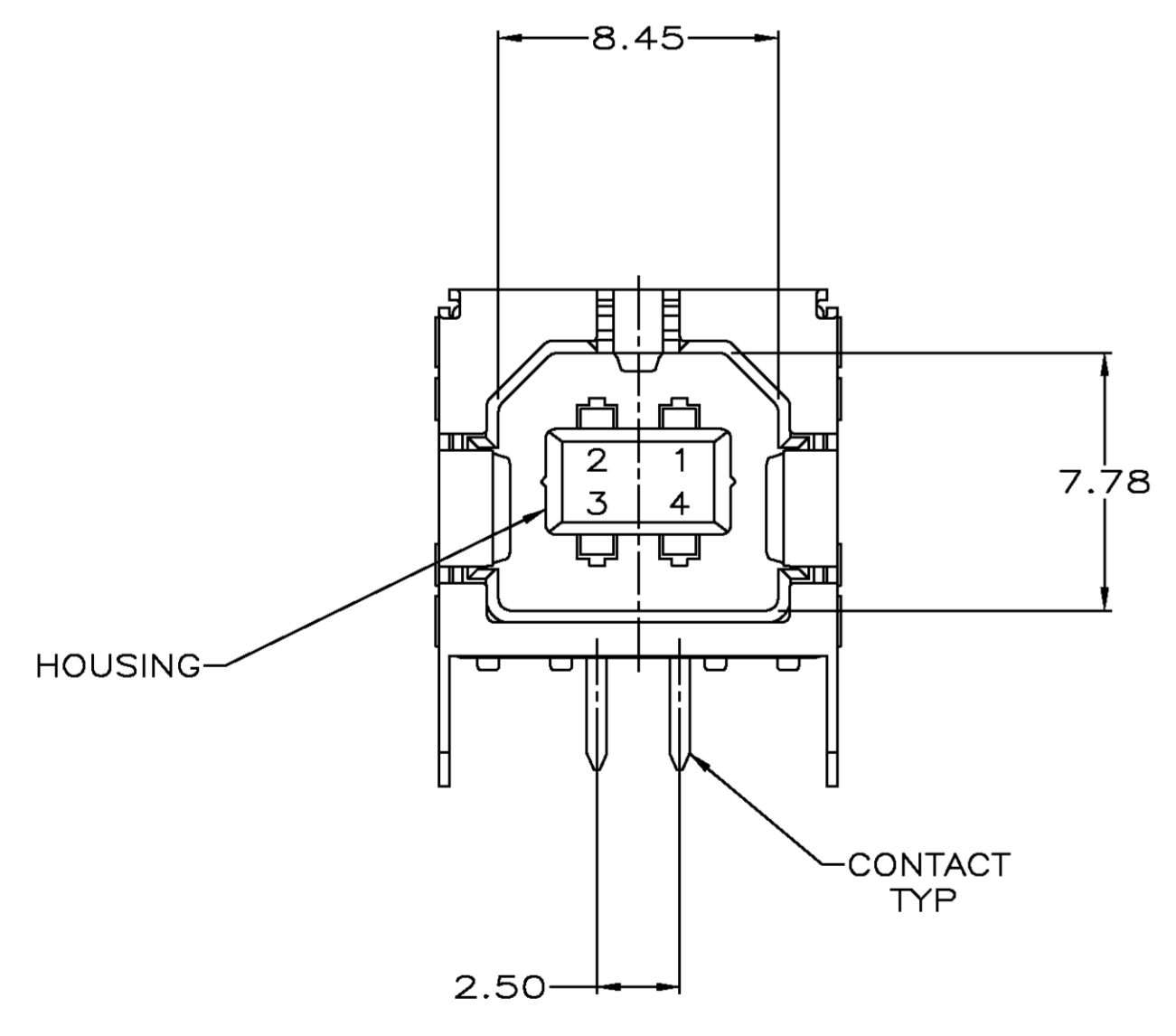
Address: A1208, Overseas Decoration Building, #122 Zhenhua RD., Futian, Shenzhen, China



LOC	DIST	REVISIONS			
P	U/R	DESCRIPTION	DATE	U/R	APVD
C1		REVISED ECR-08-009268	11APR08	A.Z	S.Y
C2		REVISED PER ECO-09-021826	27JAN2010	KK	HMR



SECTION X-X



RECOMMENDED PC BOARD MOUNTING DIMENSIONS

- △ CONTACTS: COPPER ALLOY.  
SHELL: COPPER ALLOY  
HOUSING: UL 94V-0 RATED THERMOPLASTIC, COLOR: SEE TABLE.
- △ CONTACTS: 0.076 um MINIMUM GOLD OVER  
0.76 um MINIMUM PALLADIUM NICKEL ON MATING AREA.  
3.80 um MINIMUM MATTE TIN ON SOLDER TAILS  
ALL OVER 1.27 um MINIMUM NICKEL.  
SHELL: 2~5 um MINIMUM BRIGHT TIN.
- △ DATUM AND BASIC DIMENSIONS ESTABLISHED BY CUSTOMER.
- △ RECOMMENDED PC BOARD THICKNESS 1.57.
- △ CONTACTS: 0.076 um MINIMUM GOLD OVER  
0.76 um MINIMUM PALLADIUM NICKEL ON MATING AREA.  
3.80 um MINIMUM MATTE TIN ON SOLDER TAILS  
ALL OVER 1.27 um MINIMUM NICKEL.  
SHELL: 1.27 um MINIMUM NICKEL ALL OVER, TIN DIPPED ON TAILS.
- 6 RECOMMEND:  
MATING FORCE: 35N MAX.  
UNMATING FORCE: 13N MIN.  
RECOMMENDED MATING PLUG SHOULD MEET USB2.0 STANDARD.

7 OBSOLETE PARTS: OBSOLETE CIS STREAMLINING PER D.RENAUD/D.SINISI

△ OBSOLETE	YES	△	BLACK	292317-4
	NO	△	BLACK	292317-3
SUPERSEDED BY 292317-4	YES	△	BLACK	292317-1
	HIGH TEMPERATURE COMPATIBLE	FINISH	HOUSING COLOR	PART NUMBER

DIMENSIONS:		OTHERWISE UNLESS OTHERWISE SPECIFIED:		DWN J. JIANG 20FEB04		CHK S. YAO 20FEB04		Tyco Electronics Tyco Electronics Corporation Shanghai, P.R.China, 200233	
0 PLC	≠	≠	≠	APVD T. SASAKI 20FEB04	NAME	RECEPTACLE ASSEMBLY, RIGHT ANGLE, 4 POSTIONS THRU-HOLE, TYPE B, UNIVERSAL SERIAL BUS LEAD FREE VERSION			
1 PLC	≠	≠	≠	PRODUCT SPEC	SIZE	CAGE CODE	DRAWING NO		
2 PLC	≠	≠	≠	APPLICATION SPEC	A1	00779	C=292317		
3 PLC	≠	≠	≠	WEIGHT	SCALE		SHEET	OF	REV
4 PLC	≠	≠	≠		5:1		1	1	C2
ANGLES	≠	≠	≠						
MATERIAL	△	SEE TABLE	CUSTOMER DRAWING						