



Chipsmall Limited consists of a professional team with an average of over 10 year of expertise in the distribution of electronic components. Based in Hongkong, we have already established firm and mutual-benefit business relationships with customers from,Europe,America and south Asia,supplying obsolete and hard-to-find components to meet their specific needs.

With the principle of “Quality Parts,Customers Priority,Honest Operation,and Considerate Service”,our business mainly focus on the distribution of electronic components. Line cards we deal with include Microchip,ALPS,ROHM,Xilinx,Pulse,ON,Everlight and Freescale. Main products comprise IC,Modules,Potentiometer,IC Socket,Relay,Connector.Our parts cover such applications as commercial,industrial, and automotives areas.

We are looking forward to setting up business relationship with you and hope to provide you with the best service and solution. Let us make a better world for our industry!



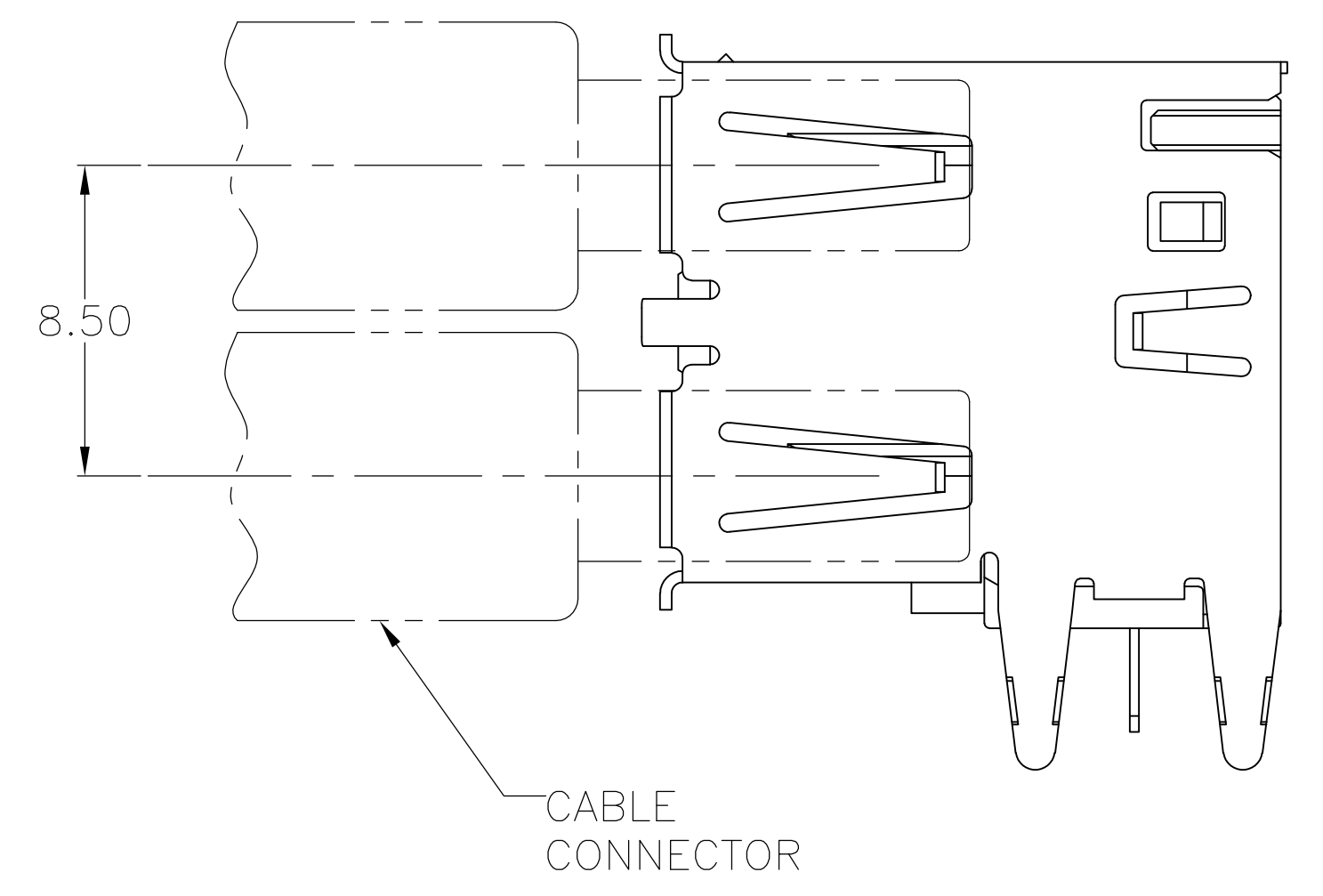
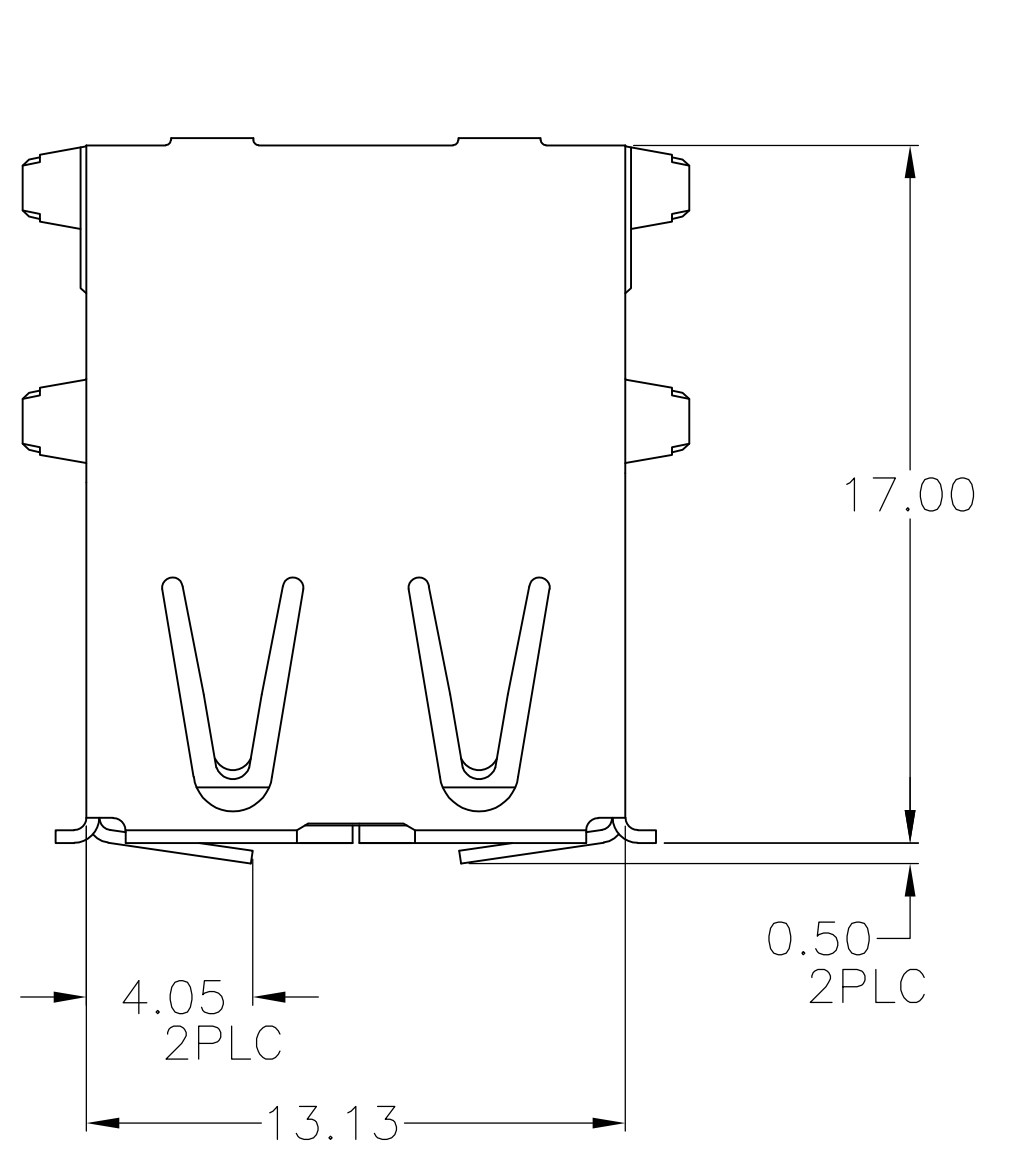
## Contact us

Tel: +86-755-8981 8866 Fax: +86-755-8427 6832

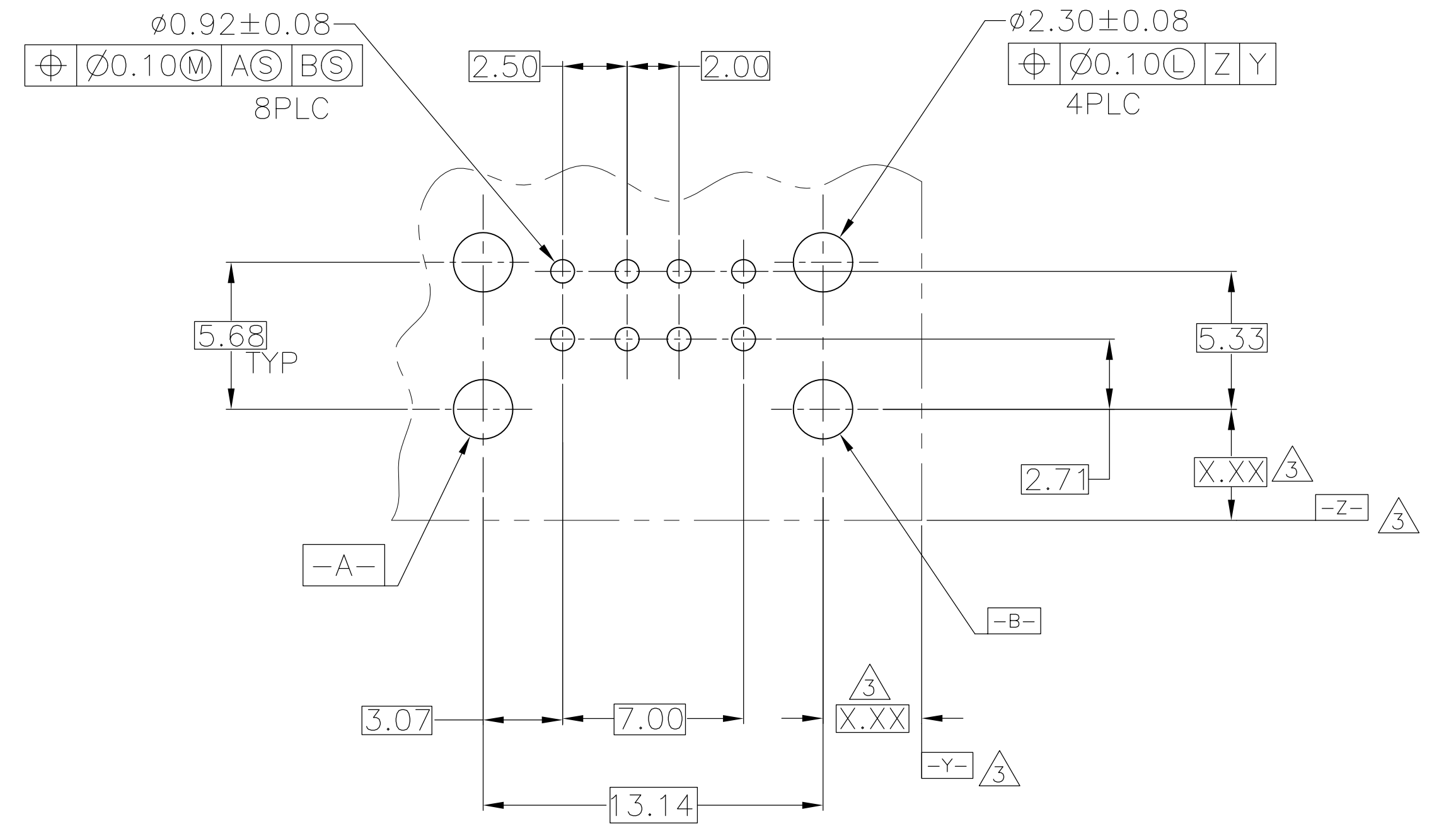
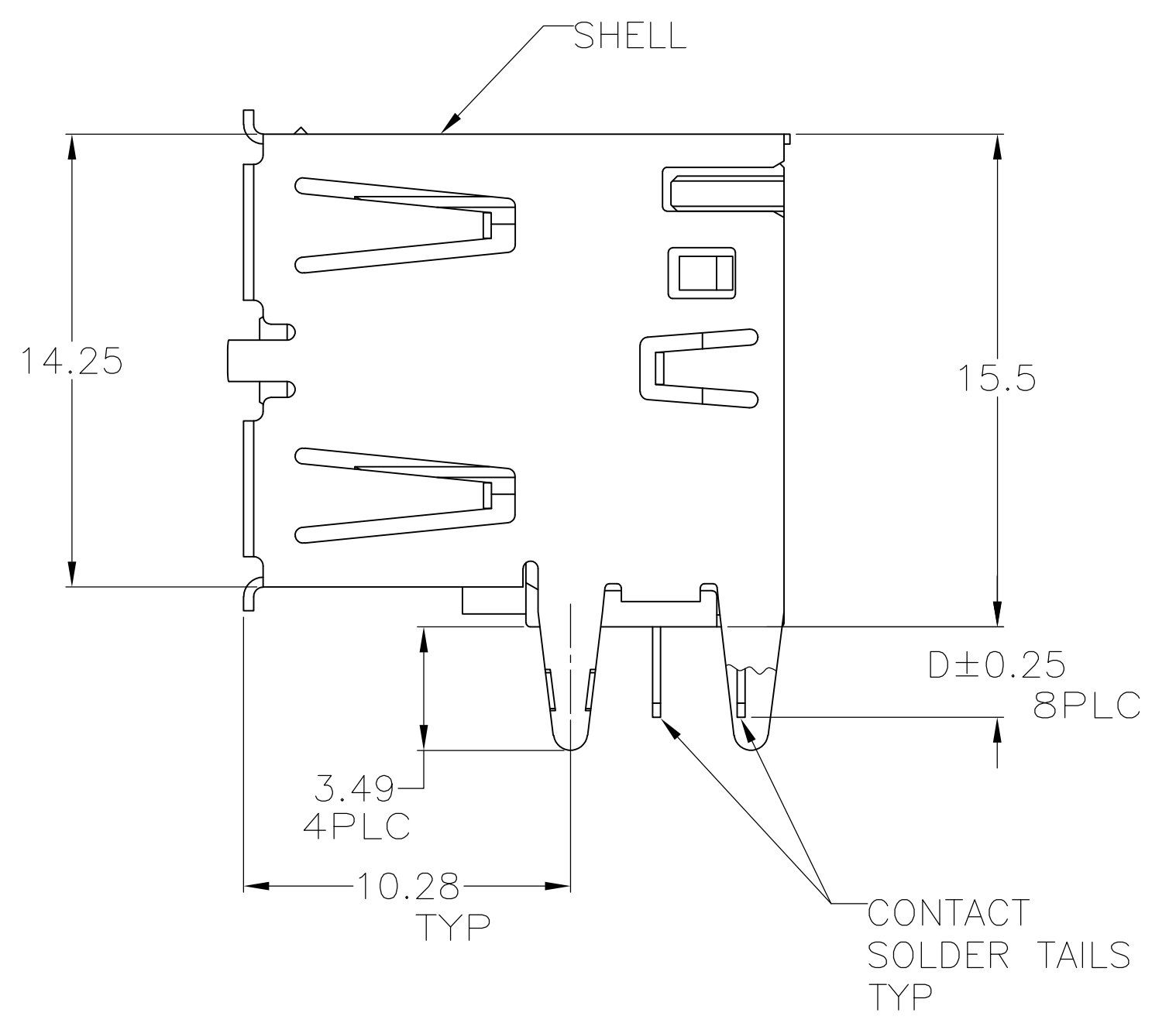
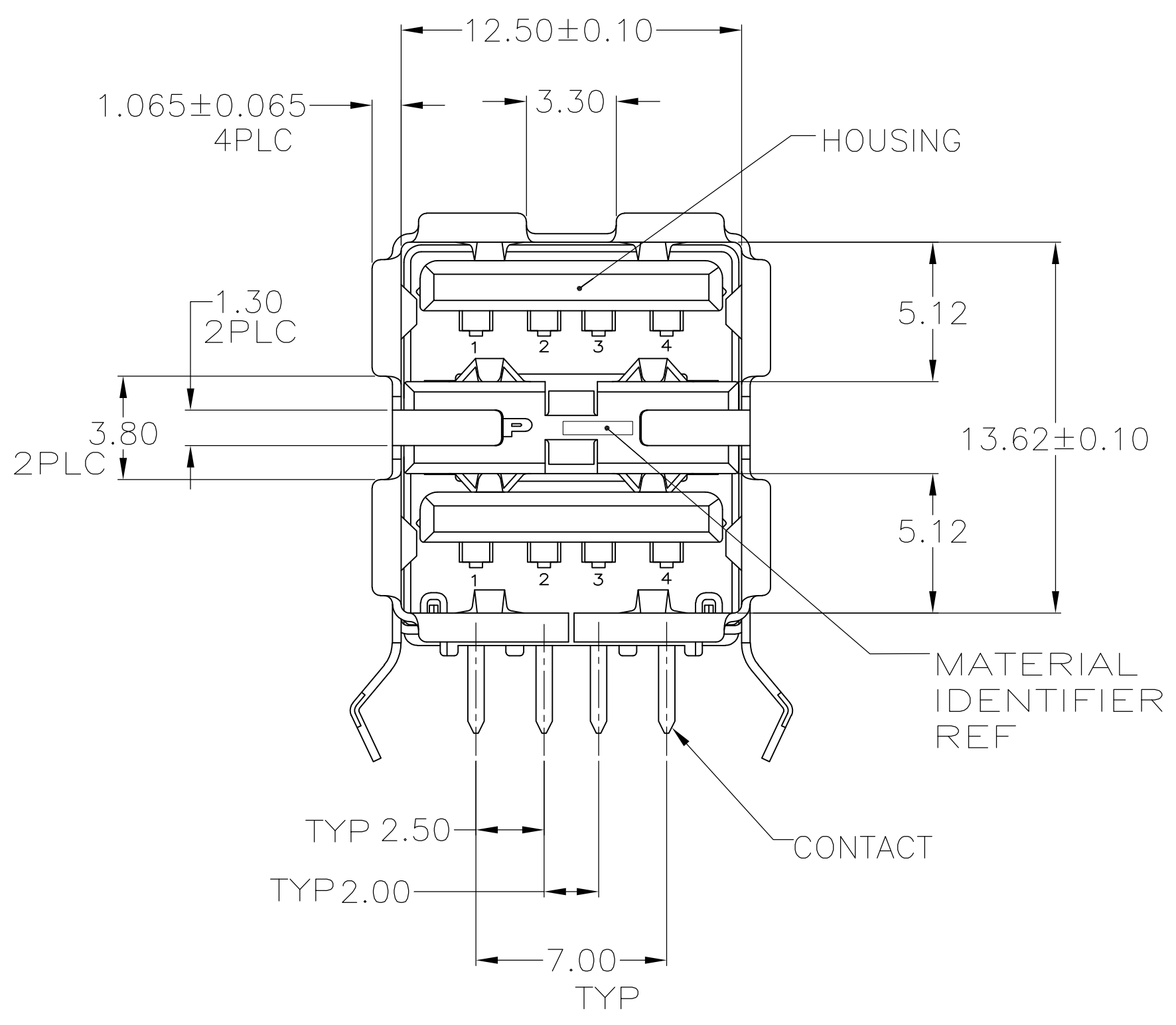
Email & Skype: info@chipsmall.com Web: www.chipsmall.com

Address: A1208, Overseas Decoration Building, #122 Zhenhua RD., Futian, Shenzhen, China





- ① MATERIAL:  
SHELL & CONTACT-COPPER ALLOY  
HOUSING-UL 94V-0 RATED, THERMOPLASTIC,SEE TABLE
- ② PLATING:  
CONTACT- 0.076um MIN. GOLD OVER 0.76um MIN.  
PALLADIUM-NICKEL ON MATING AREA ,OR CONTACT ALTERNATE  
PLATING 0.76um MIN. GOLD ON MATING AREA.  
3.8um MIN. MATTE TIN ON SOLDER TAILS.  
BOTH OVER 1.27um MIN. NICKEL.  
SHELL:2~6.5um MIN. BRIGHT TIN.
- ③ DATUM AND BASIC DIMENSIONS ESTABLISHED BY CUSTOMER.
- ④ RECOMMENDED PC BOARD THICKNESS 1.57.



RECOMMENDED PC BOARD MOUNTING DIMENSIONS  
 ④

NO	3.24	BLACK	292323-6
YES	2.29	BLACK	292323-5
YES	2.84	BLACK	292323-4
NO	2.84	NATURAL	292323-3
NO	2.29	BLACK	292323-2
NO	2.84	BLACK	292323-1

HIGH TEMPERATURE COMPATIBLE	D	HOUSING COLOR	PART NUMBER
-----------------------------	---	---------------	-------------

THIS DRAWING IS A CONTROLLED DOCUMENT.

DIMENSIONS:	TOLERANCES UNLESS OTHERWISE SPECIFIED:	APPROVED:	DATE:	NAME:
mm	0 PLC ± -	SUNNY XU	25FEB04	T.SASAKI
	1 PLC ± -	S. YAO	25FEB04	RECEPTACLE ASSEMBLY ,RIGHT ANGLE STACKED,THRU-HOLE USB
	2 PLC ± 0.13			APPLICATION SPEC 108-1586
	3 PLC ± -			APPLICATION SPEC 114-40054
	4 PLC ± -			SIZE CASE CODE DRAWING NO
	ANGLES ± -			A1 00779 C-292323
MATERIAL	FINISH	WEIGHT	SCALE	SHEET
①	②	-	5:1	1 OF 1

CUSTOMER DRAWING