



Chipsmall Limited consists of a professional team with an average of over 10 year of expertise in the distribution of electronic components. Based in Hongkong, we have already established firm and mutual-benefit business relationships with customers from,Europe,America and south Asia,supplying obsolete and hard-to-find components to meet their specific needs.

With the principle of “Quality Parts,Customers Priority,Honest Operation,and Considerate Service”,our business mainly focus on the distribution of electronic components. Line cards we deal with include Microchip,ALPS,ROHM,Xilinx,Pulse,ON,Everlight and Freescale. Main products comprise IC,Modules,Potentiometer,IC Socket,Relay,Connector.Our parts cover such applications as commercial,industrial, and automotives areas.

We are looking forward to setting up business relationship with you and hope to provide you with the best service and solution. Let us make a better world for our industry!



Contact us

Tel: +86-755-8981 8866 Fax: +86-755-8427 6832

Email & Skype: info@chipsmall.com Web: www.chipsmall.com

Address: A1208, Overseas Decoration Building, #122 Zhenhua RD., Futian, Shenzhen, China

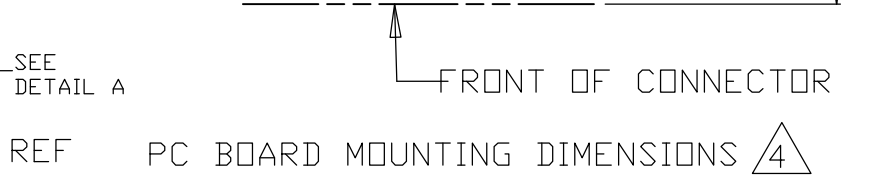
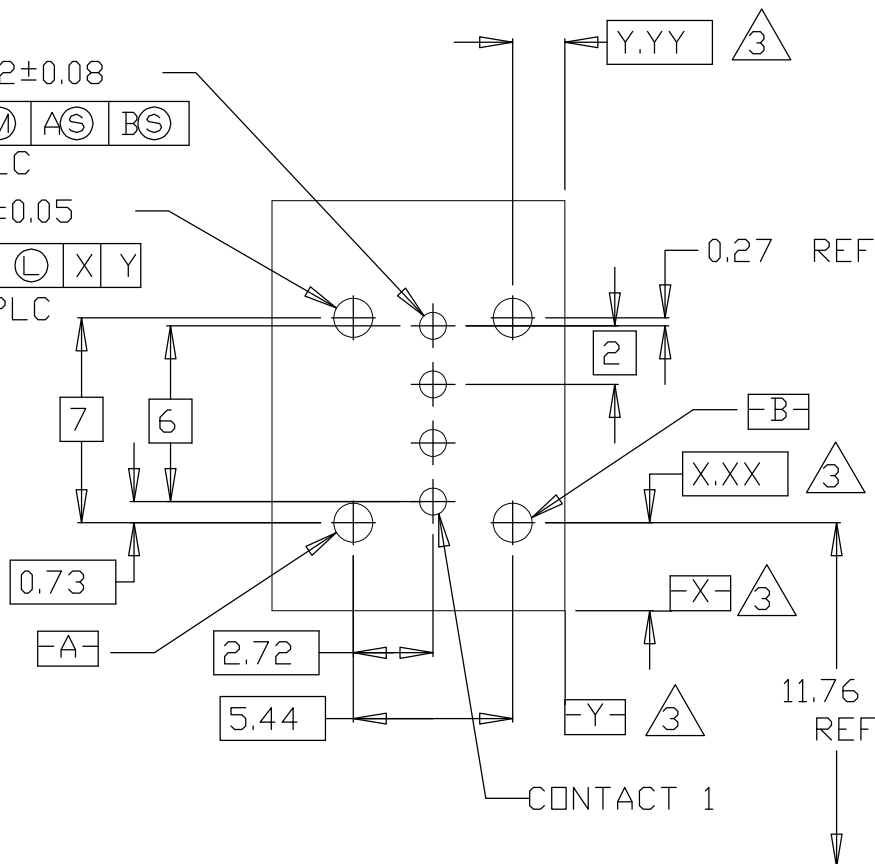
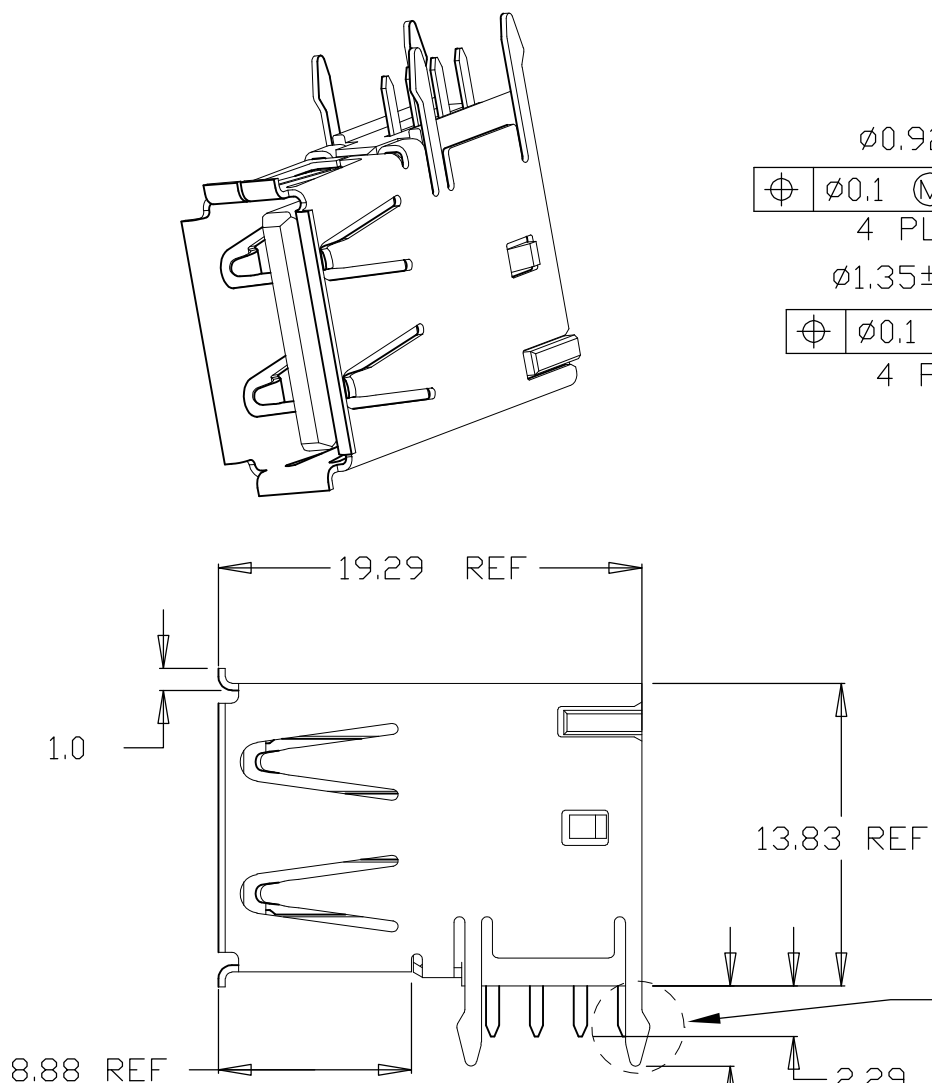
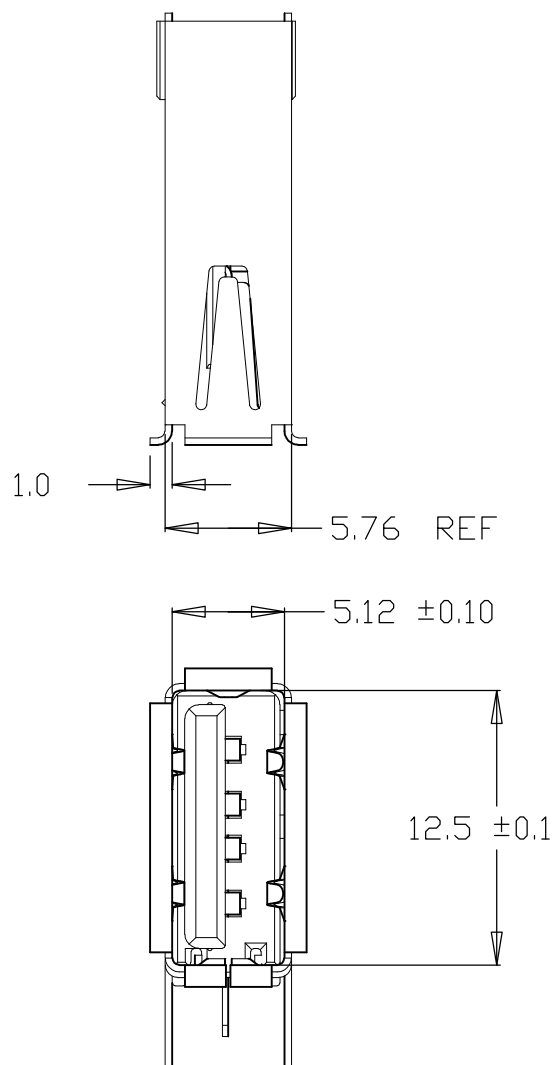


THIS DRAWING IS UNPUBLISHED.

RELEASED FOR PUBLICATION

© COPYRIGHT BY -

LOC	DIST	REVISIONS			
P	LTR	DESCRIPTION	DATE	DWN	APVD
ES	00	A8	REVISED PER ECO-11-005033	24MAR11	RK HMR



1 MATERIAL:
CONTACTS - PHOSPHOR BRONZE
SHELL - COPPER ALLOY

2 PLATING:
CONTACTS - 0.076 μm MINIMUM GOLD OVER 0.76 μm MINIMUM PALLADIUM-NICKEL
ON MATING AREA, 3.8 μm MINIMUM MATTE TIN ON SOLDER TAILS, BOTH OVER 1.27 μm MINIMUM NICKEL
SHELL 2~5 μm MINIMUM BRIGHT TIN.

CONTACT ALTERNATE PLATING: 0.76 μm MINIMUM GOLD ON MATING AREA

3 DATUMS AND BASIC DIMENSIONS ESTABLISHED BY CUSTOMER

4 RECOMMENDED PC BOARD THICKNESS OF 1.57±0.18

5 HOUSING - UL 94V-0 RATED THERMOPLASTIC, NATURAL

6 HOUSING - UL 94V-0 RATED THERMOPLASTIC, BLACK

DIMENSIONS:	TOLERANCES UNLESS OTHERWISE SPECIFIED:
mm	0 PLC ±-
	1 PLC ±-
	2 PLC ±0.13
	3 PLC ±-
	4 PLC ±-
	ANGLES ±-
MATERIAL	FINISH
1 5 6	2

DWN	J.JIANG	12MAR04
CHK	S.YAO	12MAR04
APVD	T.SASAKI	12MAR04
PRODUCT SPEC	-	-
APPLICATION SPEC	-	-
WEIGHT	-	-
CUSTOMER DRAWING		

MATERIAL				PART NUMBER			
1	5	292336-2		1	6	292336-1	
STE TE Connectivity				RECEPTACLE ASSEMBLY, RIGHT ANGLE FLAG, 4 POSITION, THRU-HOLE, USB			
SIZE	CAGE CODE	DRAWING NO	RESTRICTED TO				
A3	00779	292336	-				
SCALE		SHEET		OF		REV	
NON		1		1		A8	