



Chipsmall Limited consists of a professional team with an average of over 10 year of expertise in the distribution of electronic components. Based in Hongkong, we have already established firm and mutual-benefit business relationships with customers from,Europe,America and south Asia,supplying obsolete and hard-to-find components to meet their specific needs.

With the principle of “Quality Parts,Customers Priority,Honest Operation,and Considerate Service”,our business mainly focus on the distribution of electronic components. Line cards we deal with include Microchip,ALPS,ROHM,Xilinx,Pulse,ON,Everlight and Freescale. Main products comprise IC,Modules,Potentiometer,IC Socket,Relay,Connector.Our parts cover such applications as commercial,industrial, and automotives areas.

We are looking forward to setting up business relationship with you and hope to provide you with the best service and solution. Let us make a better world for our industry!



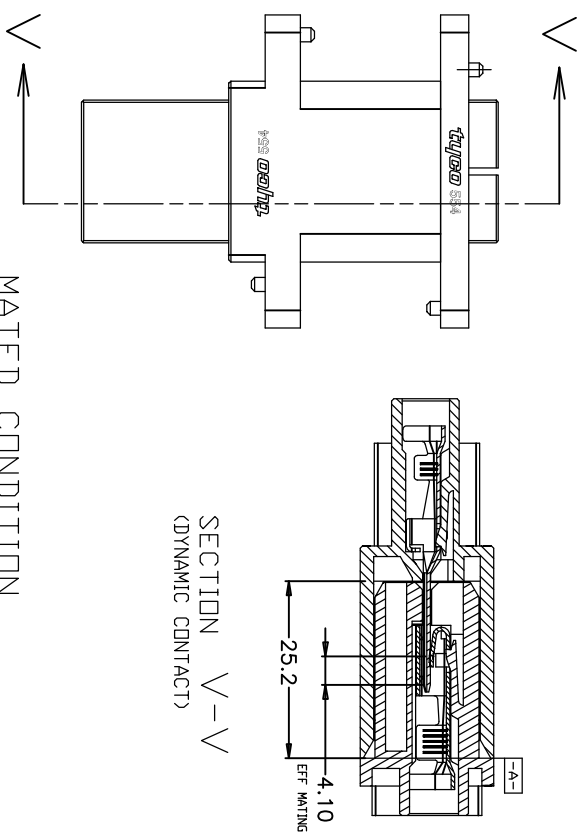
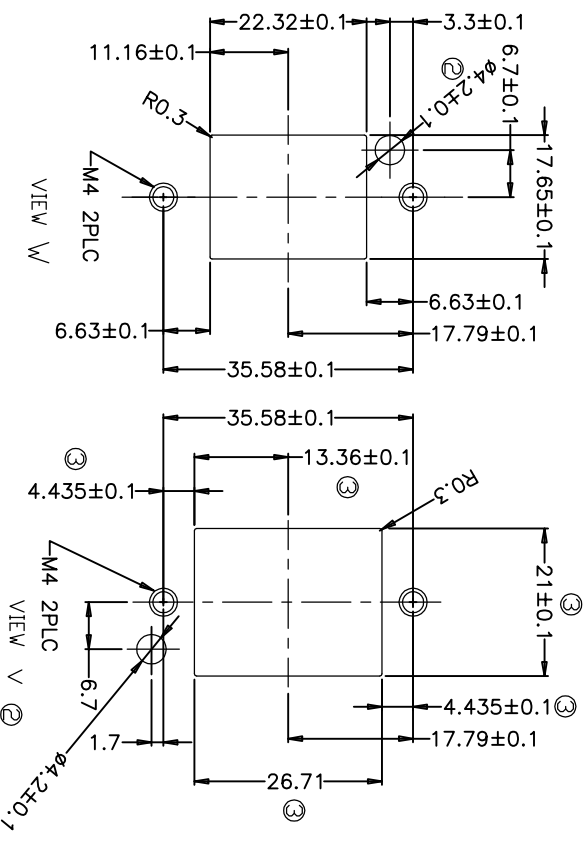
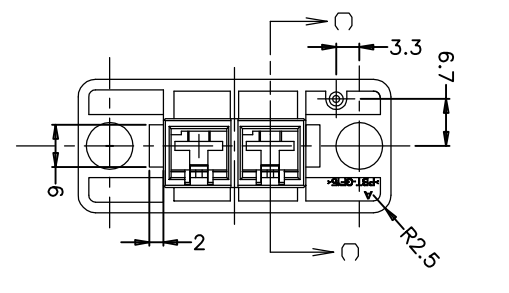
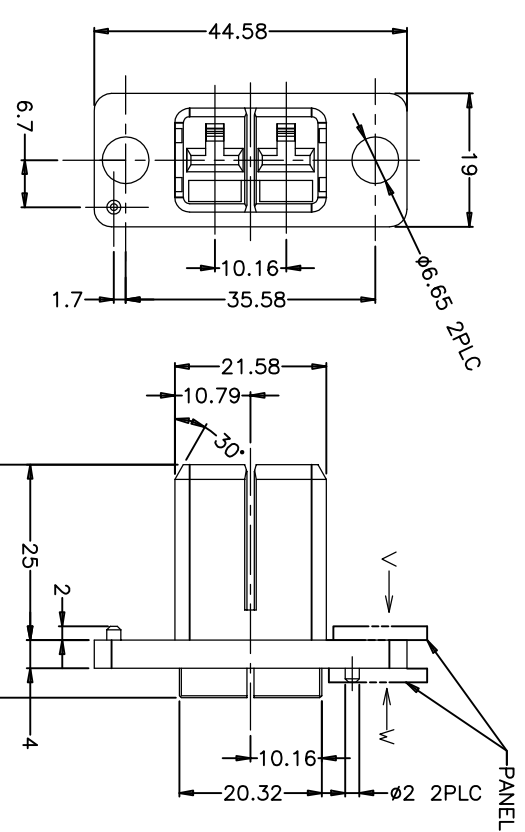
## Contact us

Tel: +86-755-8981 8866 Fax: +86-755-8427 6832

Email & Skype: info@chipsmall.com Web: www.chipsmall.com

Address: A1208, Overseas Decoration Building, #122 Zhenhua RD., Futian, Shenzhen, China





MATED CONDITION

SECTION V-V  
(DYNAMIC CONTACT)

SECT C-C

NOTES:  
1. APPLICABLE CONNECTOR & CONTACTS:

CIRCUIT TYPE	FINISH	AWG	APPLICABLE CONNECTOR/P/N	REMARKS
HIGH CURRENT CIRCUITS	GOLD PLT	#10-12	179956-X	STRIP
		#14-16	179955-X	STRIP

2. MATERIAL:  
HOUSING: PBT G.F. UL94V-0 COLOR: BLACK  
MATING COUNTER P/N: 292352-1  
3. RECOMMENDED SCREW LOCKING TORQUE: 10~15kgf\_cm (0.98~1.47Nm)

PANEL CUT DIMENSIONS  
(CONNECTOR MATING SIDE)  
RECOMMENDED PANEL THK: 1.0~1.6mm

THIS DRAWING IS A CONTROLLED DOCUMENT.

DIMENSIONS:		TOLERANCES UNLESS OTHERWISE SPECIFIED:	
mm			
0 PLC	± 0.25	0 PLC	± 0.25
1 PLC	± 0.25	1 PLC	± 0.25
2 PLC	± 0.25	2 PLC	± 0.25
3 PLC	± 0.25	3 PLC	± 0.25
4 PLC	± 0.25	4 PLC	± 0.25
ANGLES	± 3'	ANGLES	± 3'

DMN	ROY HAO	09APR04	09APR04
CHK	STEVEN YAO	09APR04	09APR04
APP'D	TSASAKI	09APR04	09APR04
PRODUCT SPEC	108-51030		
APPLICATION SPEC	114-51009		
WEIGHT	-		

DMN	ROY HAO	09APR04	09APR04
CHK	STEVEN YAO	09APR04	09APR04
APP'D	TSASAKI	09APR04	09APR04
PRODUCT SPEC	108-51030		
APPLICATION SPEC	114-51009		
WEIGHT	-		

SIZE	A3	QAGE CODE	00779	DRAWING NO	292353	RESTRICTED TO	-
SCALE	NTS	SHEET	1	OF	1	REV	A

NO. OF POSITIONS (HIGH CURRENT)	2	P/N	292353-1
---------------------------------	---	-----	----------

REC HOUSING FOR 1.5mm PITCH MINI CT  
HIGH CURRENT HYBRID DRAWER CONNECTOR

Tyco Electronics Corporation  
Shanghai, P.R.China, 200233

CUSTOMER DRAWING

REV	DATE	DMN	APP'D
00	05APR05	C.Z	I.E

REV	DATE	DMN	APP'D
00	05APR05	C.Z	I.E

REV	DATE	DMN	APP'D
00	05APR05	C.Z	I.E