



Chipsmall Limited consists of a professional team with an average of over 10 year of expertise in the distribution of electronic components. Based in Hongkong, we have already established firm and mutual-benefit business relationships with customers from,Europe,America and south Asia,supplying obsolete and hard-to-find components to meet their specific needs.

With the principle of “Quality Parts,Customers Priority,Honest Operation,and Considerate Service”,our business mainly focus on the distribution of electronic components. Line cards we deal with include Microchip,ALPS,ROHM,Xilinx,Pulse,ON,Everlight and Freescale. Main products comprise IC,Modules,Potentiometer,IC Socket,Relay,Connector.Our parts cover such applications as commercial,industrial, and automotives areas.

We are looking forward to setting up business relationship with you and hope to provide you with the best service and solution. Let us make a better world for our industry!



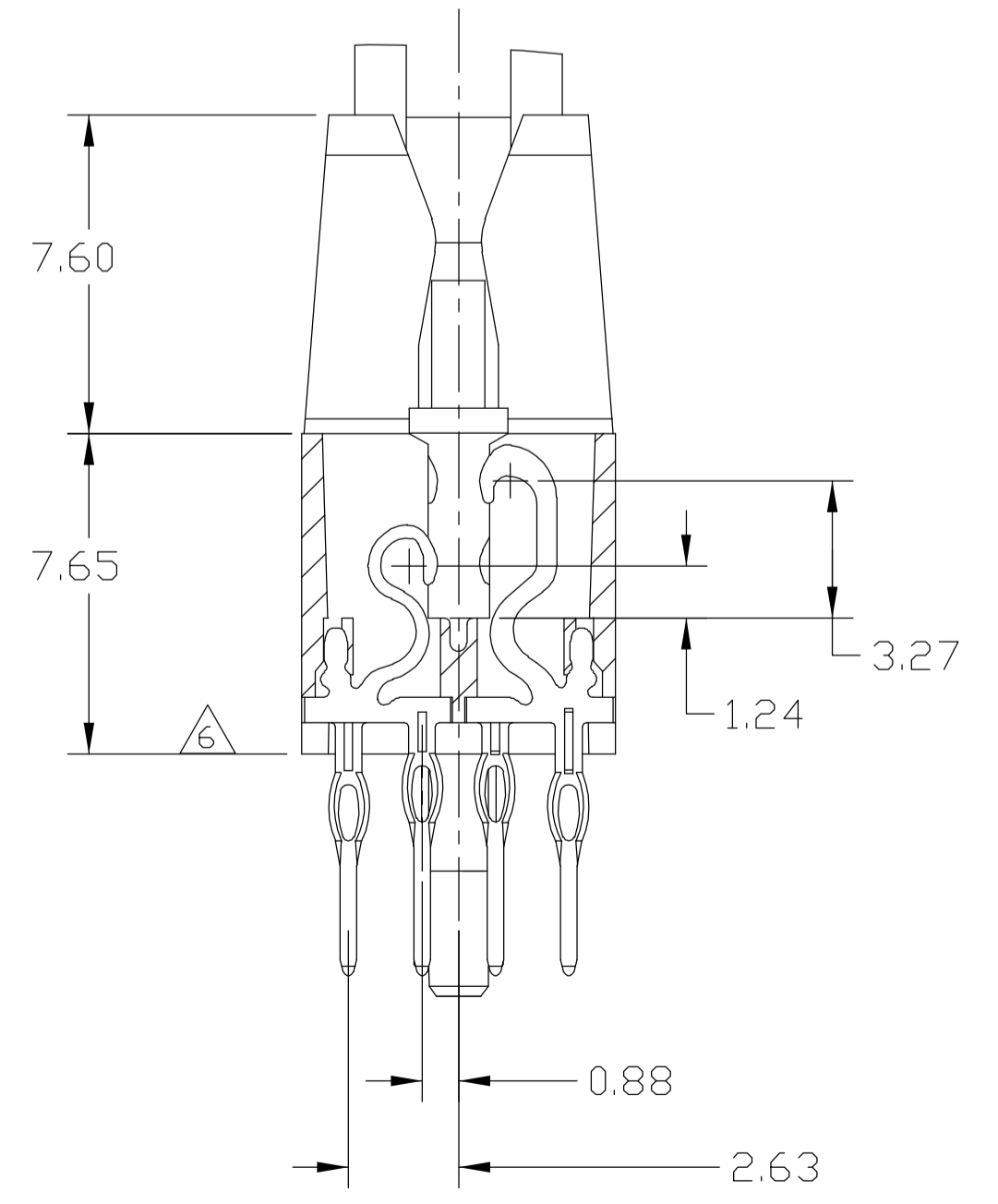
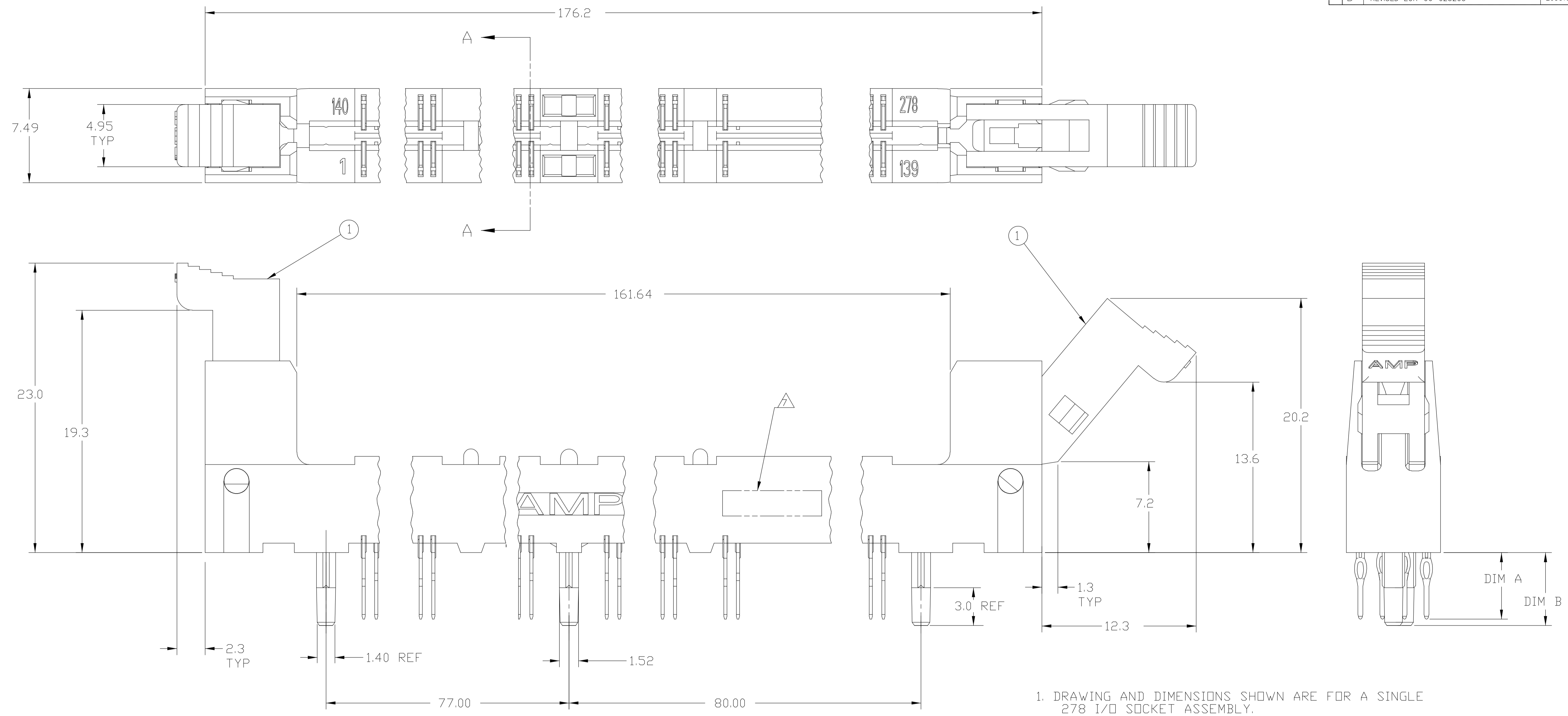
## Contact us

Tel: +86-755-8981 8866 Fax: +86-755-8427 6832

Email & Skype: info@chipsmall.com Web: www.chipsmall.com

Address: A1208, Overseas Decoration Building, #122 Zhenhua RD., Futian, Shenzhen, China

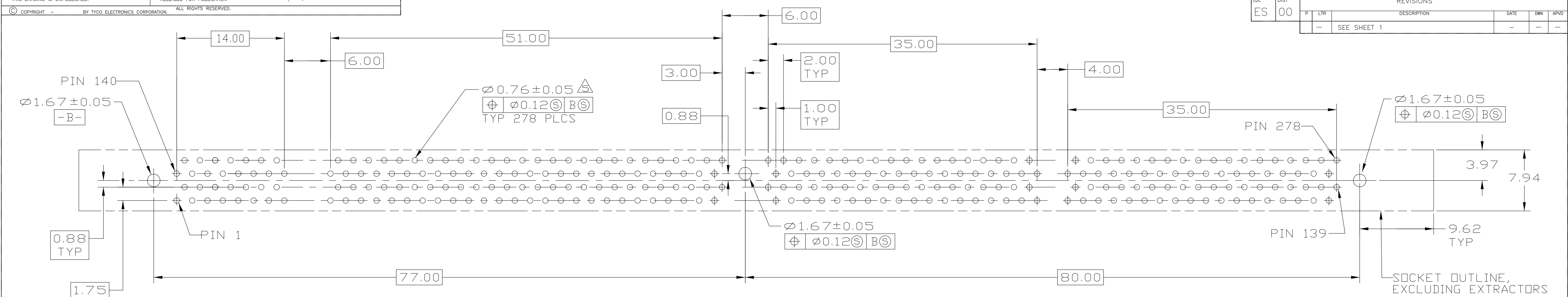




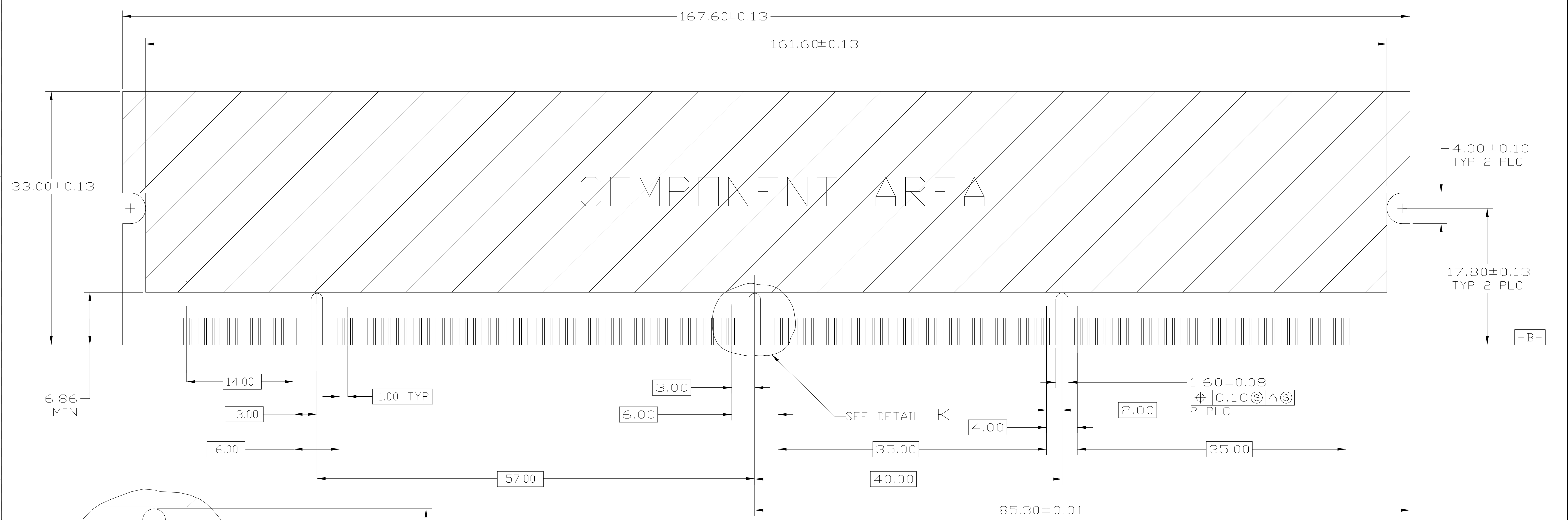
1. DRAWING AND DIMENSIONS SHOWN ARE FOR A SINGLE 278 I/O SOCKET ASSEMBLY.
2. THE POST DIAMETER REFERENCE DIMENSIONS EXCLUDE THE POSTS' FLUTING FEATURES.
- ③ CONTACT PADS SHALL BE PLATED WITH 0.0008 [0.0003] MINIMUM THICK GOLD OVER 0.0038 [0.0015] MINIMUM THICK NICKEL.
- ④ MATERIAL: HOUSING- HIGH TEMPERATURE NYLON, BLACK. CONTACTS- PHOSPHOR BRONZE WITH 0.00076 [0.00030] MIN THICK GOLD OVER 0.00381 [0.00150] MIN THICK NICKEL IN CONTACT AREA AND 0.00381 [0.00150] MIN THICK TIN-LEAD OVER 0.00127 [0.00050] MIN THICK NICKEL ON SOLDER TAIL.
- ⑤ RECOMMENDED PCB DRILLED HOLE SIZE BEFORE PLATING  $0.89 \pm 0.013$  FINISHED PLATED HOLE SIZE OF  $0.76 \pm 0.05$  [0.030 ± 0.002]
- ⑥ PCB SURFACE
- ⑦ DATE CODE LOCATED APPROX. AS SHOWN.

|         |       |       |     |             |
|---------|-------|-------|-----|-------------|
| BROWN   | 5.79  | 4.21  | 278 | 292439-2    |
| BLUE    | 5.79  | 5.29  | 278 | 292439-1    |
| COLOR ① | DIM_B | DIM_A | POS | PART NUMBER |

|  |  |                        |      |   |  |  |
|--|--|------------------------|------|---|--|--|
| THIS DRAWING IS A CONTROLLED DOCUMENT. |  | DIN J.BURWELL 06NOV03  |      | Tyco Electronics Corporation                      |  |  |
| DIMENSIONS: MM                         |  | CHK D.SHIRLING 06NOV03 |      | SH/CN GuiPingRD 668#                              |  |  |
| TOLERANCES UNLESS OTHERWISE SPECIFIED: |  | APVD                   | NAME | SOCKET ASSEMBLY, 16 BYTE DIMM, 1mm, 278 PRESS FIT |  |  |
| 0 PLC ± -                              |  | PRODUCT SPEC           |      | 108-1717  |  |  |
| 1 PLC ± 0.30                           |  | APPLICATION SPEC       |      | -   |  |  |
| 2 PLC ± 0.10                           |  | SIZE                   |      | A1  |  |  |
| 3 PLC ± 0.01                           |  | CAGE CODE              |      | 00779   |  |  |
| 4 PLC ± -                              |  | DRAWING NO             |      | 292439  |  |  |
| ANGLES ± -                             |  | WEIGHT                 |      | -   |  |  |
| FINISH -                               |  | CUSTOMER DRAWING       |      | SCALE 6:1 SHEET 1 OF 2 REV B                      |  |  |

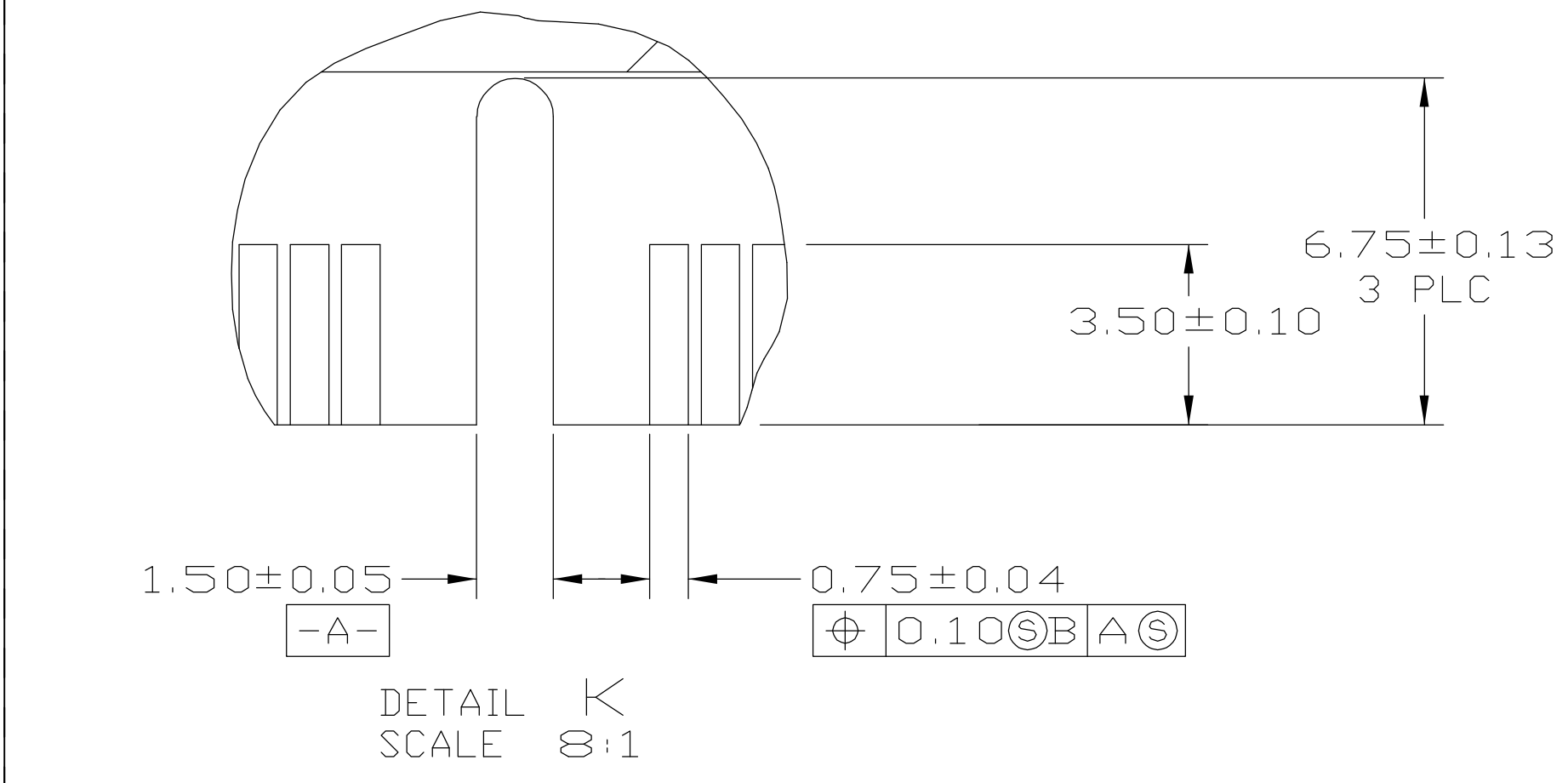


RECOMMENDED CIRCUIT BOARD HOLE LAYOUT  
 SCALE 4:1



RECOMMENDED MODULE LAYOUT  
 SCALE 4:1

MODULE THICKNESS: 1.27±0.10 [0.050±0.04] MEASURED ACROSS PADS



DETAIL K  
 SCALE 8:1

|  |   |                |         |                            |   |                    |
|--|---|----------------|---------|----------------------------|---|--------------------|
| THIS DRAWING IS A CONTROLLED DOCUMENT. |   | DWN J.BURWELL  | DENOV03 | <b>tyco</b><br>Electronics | Tyco Electronics Corporation                      |                    |
|  |   | CHK D.SHIRLING | DENOV03 |                            | SH/CN GuiPingRD 668#                              |                    |
| DIMENSIONS:                            | TOLERANCES UNLESS OTHERWISE SPECIFIED:  |                |         | PRODUCT SPEC               | SOCKET ASSEMBLY, 16 BYTE DIMM, 1mm, 278 PRESS FIT |                    |
| MM                                     | 0. PLC ± -<br>1. PLC ± 0.30<br>2. PLC ± 0.10<br>3. PLC ± 0.01<br>4. PLC ± -<br>ANGLES ± - |                |         | APPLICATION SPEC           | SIZE CAGE CODE DRAWING NO. RESTRICTED TO          |                    |
| MATERIAL                               | FINISH  |                |         | WEIGHT                     | A1 00779 ©=292439                                 |                    |
|  |   |                |         | CUSTOMER DRAWING           | SCALE 6:1   | SHEET 2 OF 2 REV B |