



Chipsmall Limited consists of a professional team with an average of over 10 year of expertise in the distribution of electronic components. Based in Hongkong, we have already established firm and mutual-benefit business relationships with customers from,Europe,America and south Asia,supplying obsolete and hard-to-find components to meet their specific needs.

With the principle of "Quality Parts,Customers Priority,Honest Operation,and Considerate Service",our business mainly focus on the distribution of electronic components. Line cards we deal with include Microchip,ALPS,ROHM,Xilinx,Pulse,ON,Everlight and Freescale. Main products comprise IC,Modules,Potentiometer,IC Socket,Relay,Connector.Our parts cover such applications as commercial,industrial, and automotives areas.

We are looking forward to setting up business relationship with you and hope to provide you with the best service and solution. Let us make a better world for our industry!



Contact us

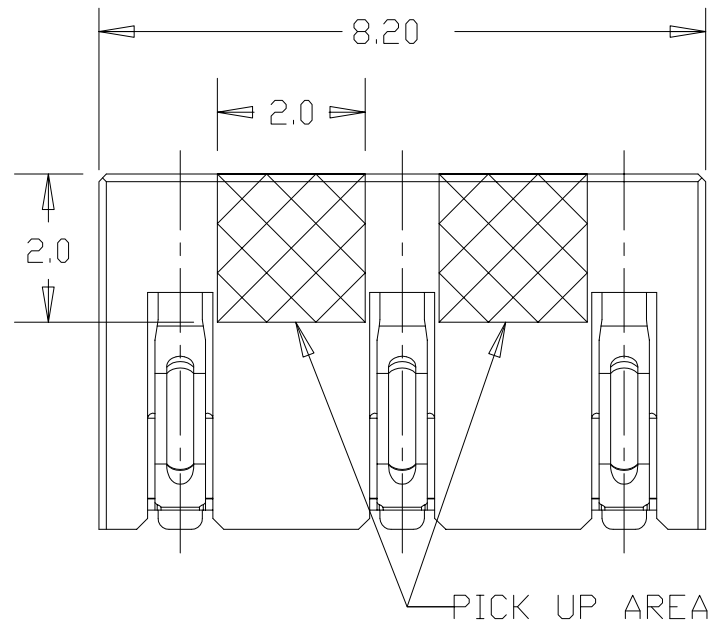
Tel: +86-755-8981 8866 Fax: +86-755-8427 6832

Email & Skype: info@chipsmall.com Web: www.chipsmall.com

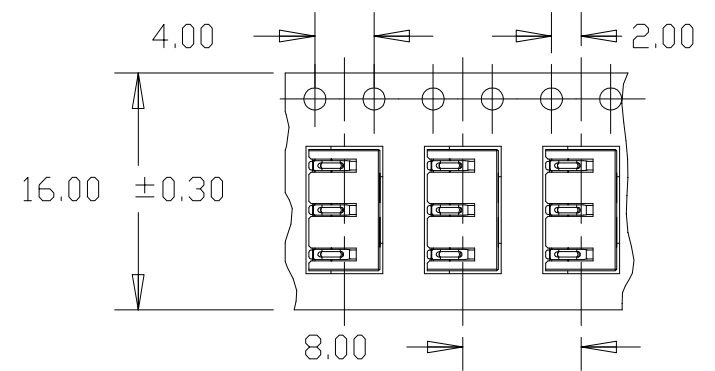
Address: A1208, Overseas Decoration Building, #122 Zhenhua RD., Futian, Shenzhen, China



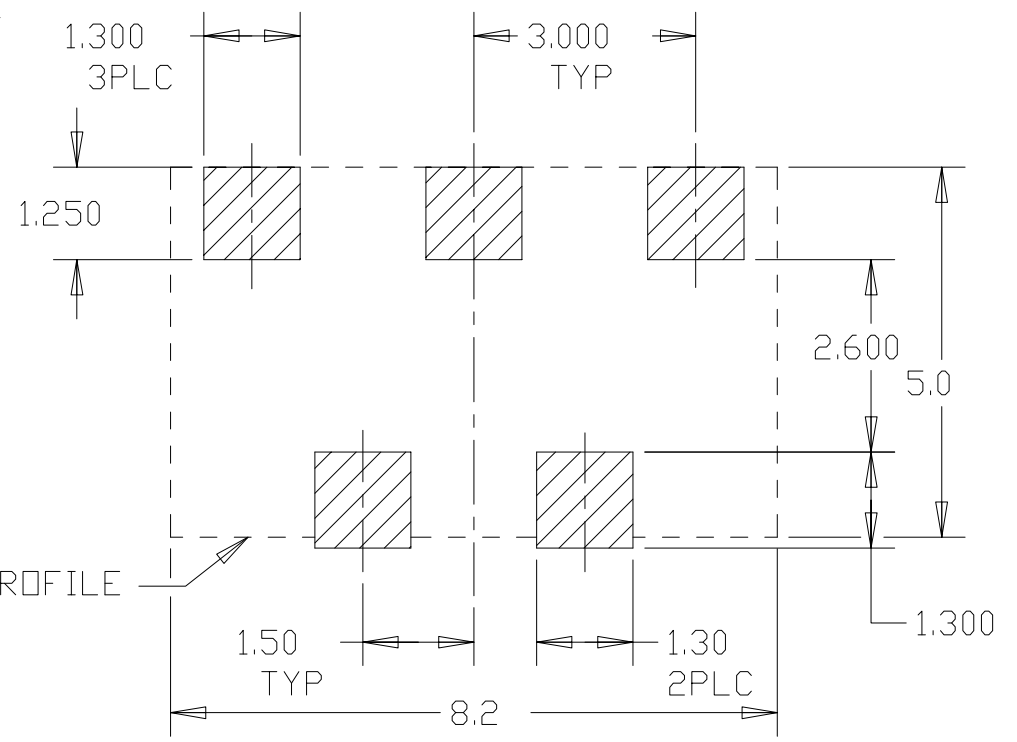
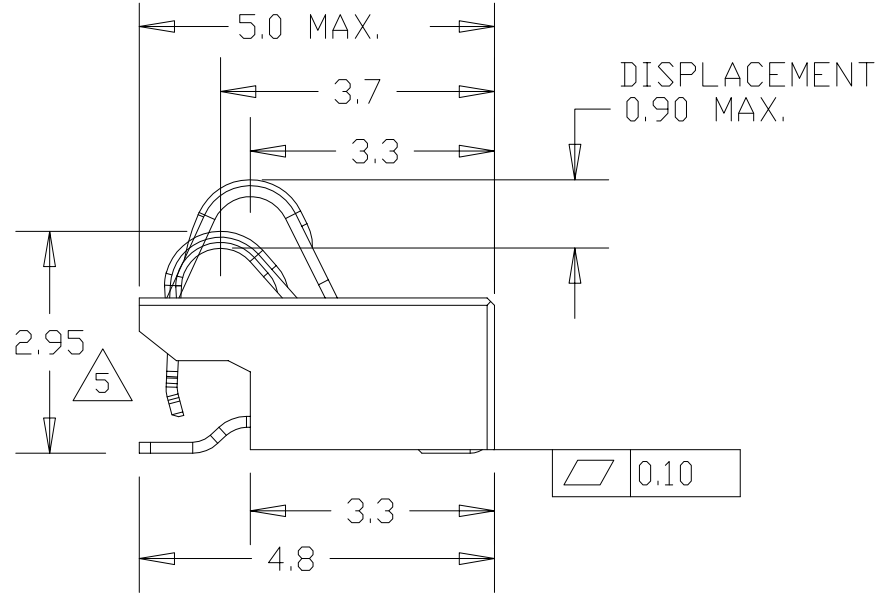
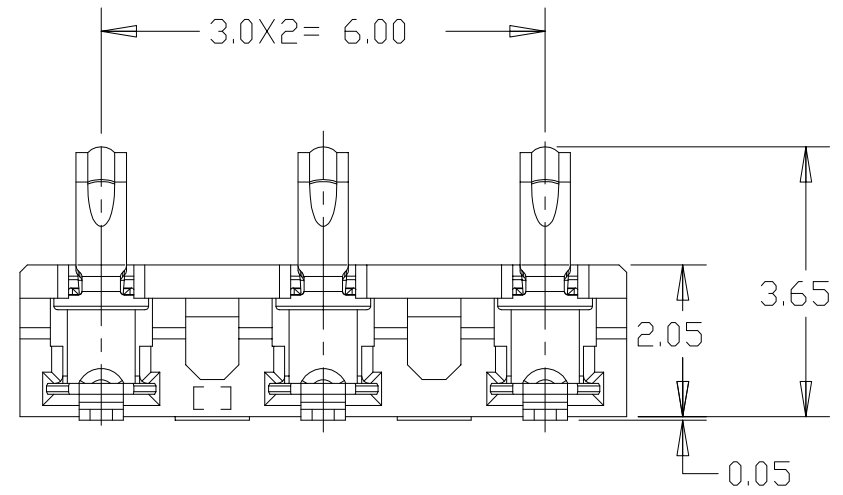
| | | | | | | | |
|-----|------|-----------|-----|-----------------------|---------|-----|------|
| LOC | DIST | REVISIONS | | | | | |
| ES | 00 | P | LTR | DESCRIPTION | DATE | DWN | APVD |
| | | A2 | | REVISED ECR-09-012678 | 19MAY09 | R.S | S.Y |



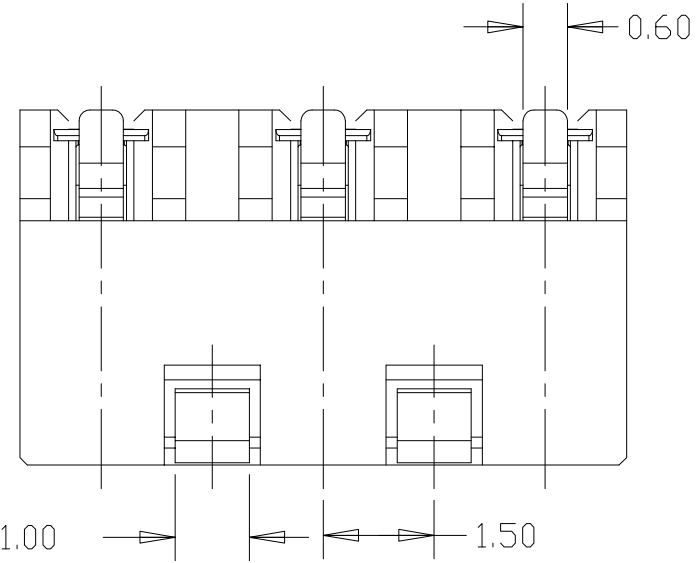
- 1 MATERIAL:
CONTACT: COPPER ALLOY.
HOUSING: THERMOPLASTIC BLACK LCP OR EQUIVALENT, UL 94V-0.
- 2 FINISH: 15 MICROINCH (0.38 MICRON) GOLD PLATING ON CONTACT AREA,
GOLD FLASH PLATING ON SOLDER AREA,
OVER 50 MICROINCH (1.27 MICRON) NICKEL PLATING OVERALL.
- 3 FINISH: 30 MICROINCH (0.76 MICRON) GOLD PLATING ON CONTACT AREA,
GOLD FLASH PLATING ON SOLDER AREA,
OVER 50 MICROINCH (1.27 MICRON) NICKEL PLATING OVERALL.
- 4 PRODUCT TO BE PACKAGED IN ANTI-STATIC TAPE AND REEL.
- 5 NORMAL FORCE IS 85g MIN. WHEN A CONTACT PRESSED TO THIS POSITION.



DIRECTION REEL OFF BY CUSTOMER
 Tape material: PS black conductive
 Reel diameter: 330mm
 Components/reel: 1500pcs



| | | |
|---------------------------|--------|----------|
| 30 MICROINCH GOLD PLATING | 3 | 292448-2 |
| 15 MICROINCH GOLD PLATING | 2 | 292448-1 |
| REMARK | FINISH | PART NO. |



RECOMMENED PCB LAYOUT

| | | | | | | | | | |
|--|--|------------------|-----------|--|------|------------|----------|---------------|----|
| THIS DRAWING IS A CONTROLLED DOCUMENT FOR TYCO ELECTRONICS CORPORATION IT IS SUBJECT TO CHANGE AND THE CONTROLLING ENGINEERING ORGANIZATION SHOULD BE CONTACTED FOR THE LATEST REVISION. | | DWN | 19-Jul-06 | Tyco Electronics Shanghai, P.R.China, 200233 | | | | | |
| | | CHK | 19-Jul-06 | | | | | | |
| | | APVD | 19-Jul-06 | NAME 3.0mm PITCH 3 PIN SMT TYPE BATTERY CONNECTOR HEIGHT=3.70mm | | | | | |
| | | PRODUCT SPEC | 108-60057 | | | | | | |
| | | APPLICATION SPEC | - | SIZE A3 | | | | | |
| | | WEIGHT | 0.1g | | | | | | |
| MATERIAL SEE NOTES | | FINISH | SEE NOTES | CAGE CODE | 0079 | DRAWING NO | C-292448 | RESTRICTED TO | - |
| 1 | | 2 3 | | SCALE | 10:1 | SHEET | 1 OF 2 | REV | A2 |

4

3

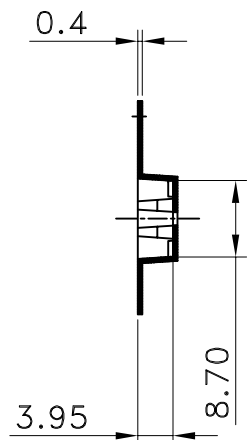
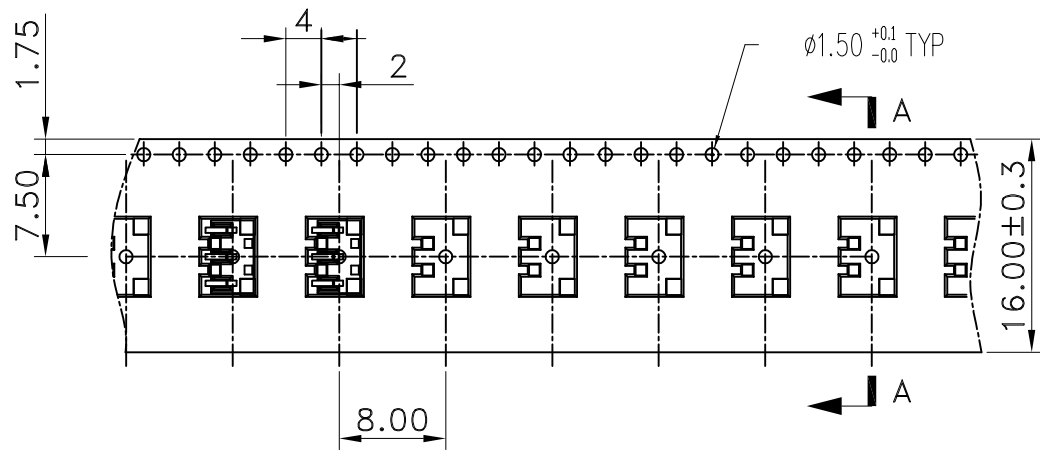
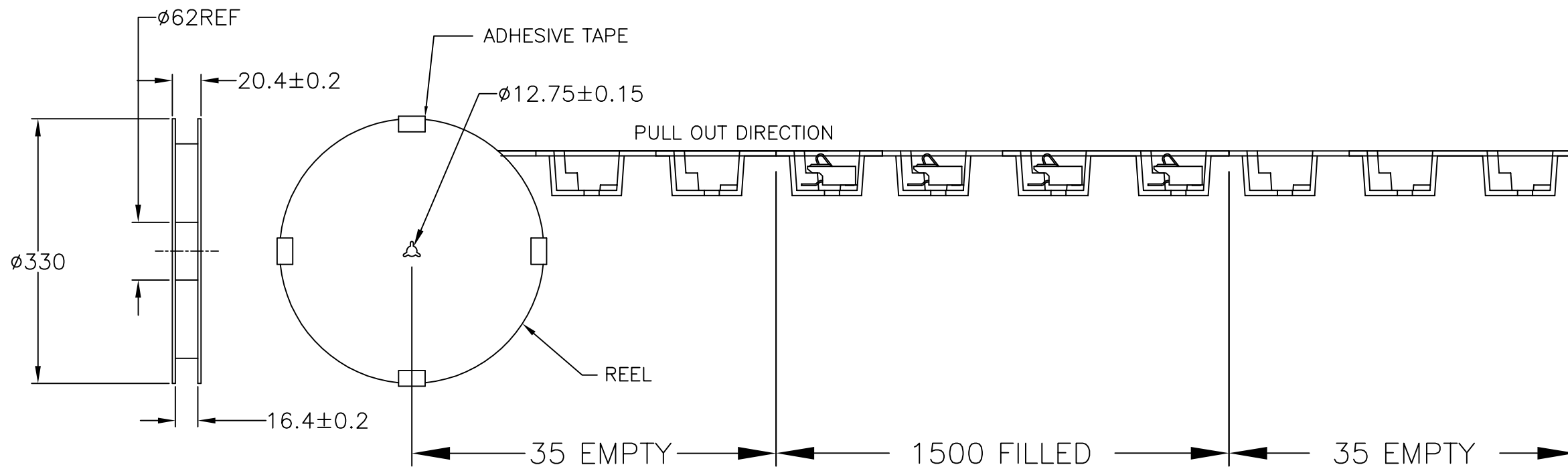
2

1

THIS DRAWING IS UNPUBLISHED. RELEASED FOR PUBLICATION 06 2007.

© COPYRIGHT 2007 BY TYCO ELECTRONICS CORPORATION. ALL RIGHTS RESERVED.

| LOC | DIST | REVISIONS | | | | | |
|-----|------|-----------|-----|-------------|------|-----|------|
| ES | 00 | P | LTR | DESCRIPTION | DATE | DWN | APVD |
| | | - | | SEE SHEET 1 | - | - | - |



SECTION A-A

- 1. PEELING RESISTANCE: 0.1 TO 0.7N
- 2. PEELING SPEED : 300MM/MINUTES
- 3. PRIMARY PACKING: 1500 EA PER REEL

| | | | | | |
|--|--|------------------|---|-----------|------------|
| THIS DRAWING IS A CONTROLLED DOCUMENT. | | DWN | Tyco Electronics Corporation Shanghai, P.R.China, 200233 | | |
| DIMENSIONS: mm | | CHK | NAME | | |
| TOLERANCES UNLESS OTHERWISE SPECIFIED: | | APVD | 3.0mm PITCH 3 PIN SMT TYPE BATTERY CONNECTOR HEIGHT =3.70mm | | |
| 0 PLC ± 0.5 | | PRODUCT SPEC | SIZE | CAGE CODE | DRAWING NO |
| 1 PLC ± 0.3 | | APPLICATION SPEC | A3 | 0079 | C=292448 |
| 2 PLC ± 0.3 | | | RESTRICTED TO | | |
| 3 PLC ± 0.3 | | WEIGHT | - | | |
| 4 PLC ± 0.3 | | CUSTOMER DRAWING | SCALE | SHEET | REV |
| ANGLES ± 3° | | | 2:1 | 2 of 2 | A2 |
| FINISH | | | | | |