



Chipsmall Limited consists of a professional team with an average of over 10 year of expertise in the distribution of electronic components. Based in Hongkong, we have already established firm and mutual-benefit business relationships with customers from,Europe,America and south Asia,supplying obsolete and hard-to-find components to meet their specific needs.

With the principle of “Quality Parts,Customers Priority,Honest Operation,and Considerate Service”,our business mainly focus on the distribution of electronic components. Line cards we deal with include Microchip,ALPS,ROHM,Xilinx,Pulse,ON,Everlight and Freescale. Main products comprise IC,Modules,Potentiometer,IC Socket,Relay,Connector.Our parts cover such applications as commercial,industrial, and automotives areas.

We are looking forward to setting up business relationship with you and hope to provide you with the best service and solution. Let us make a better world for our industry!



Contact us

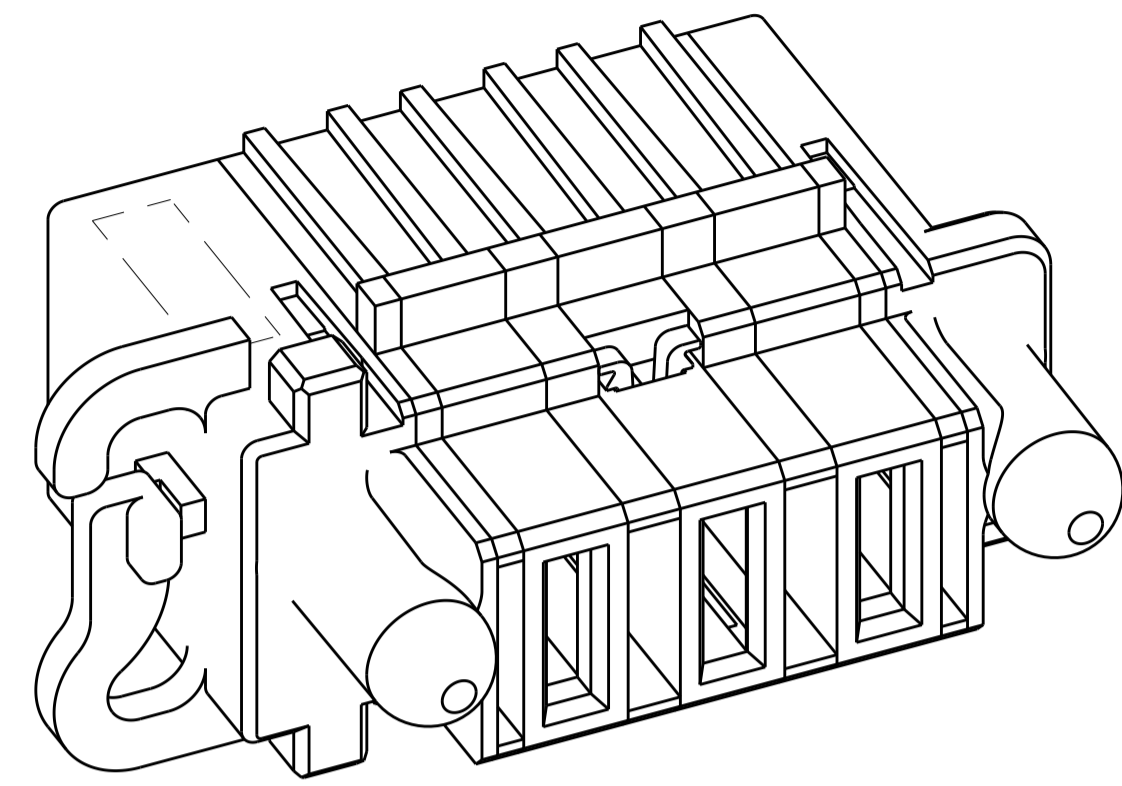
Tel: +86-755-8981 8866 Fax: +86-755-8427 6832

Email & Skype: info@chipsmall.com Web: www.chipsmall.com

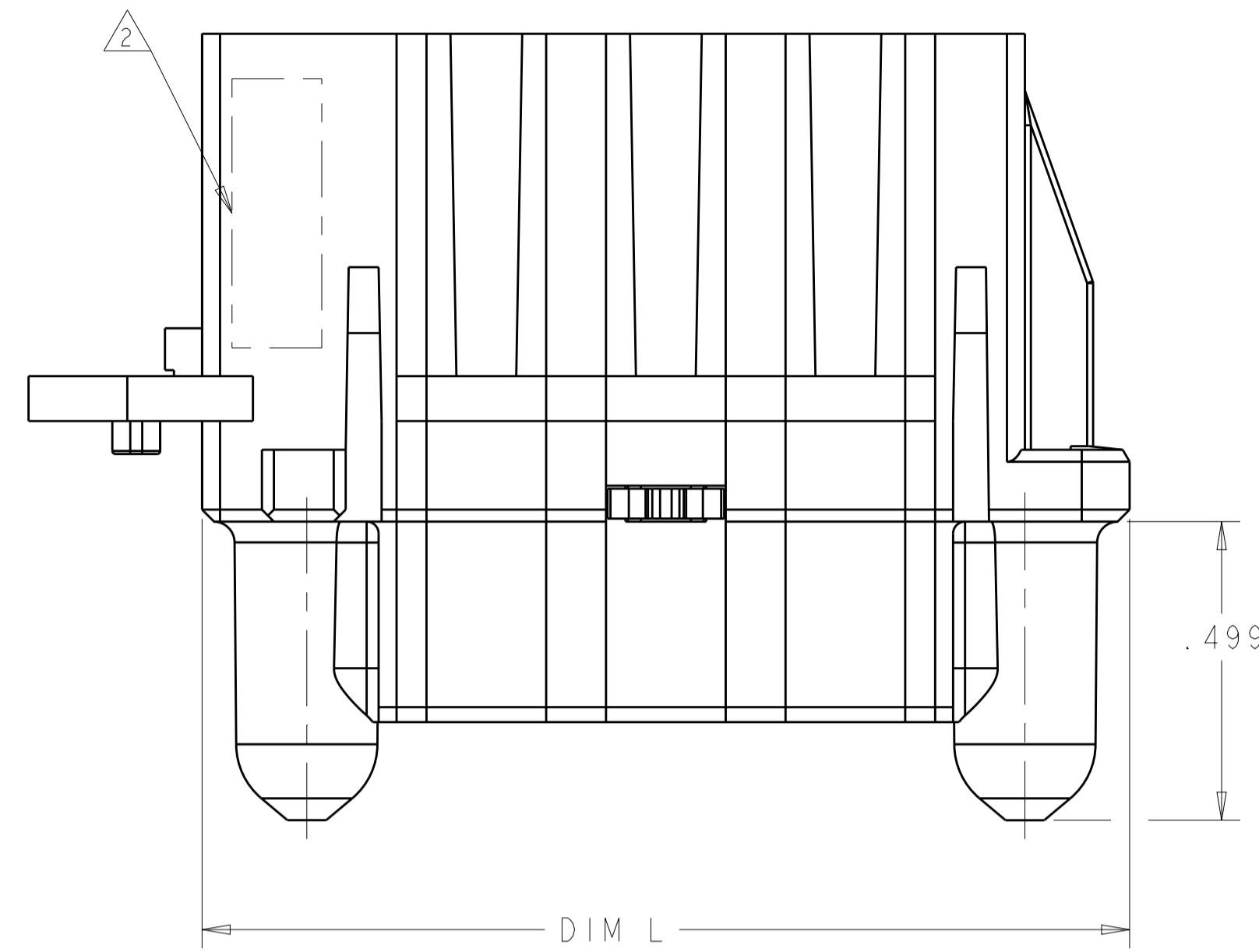
Address: A1208, Overseas Decoration Building, #122 Zhenhua RD., Futian, Shenzhen, China



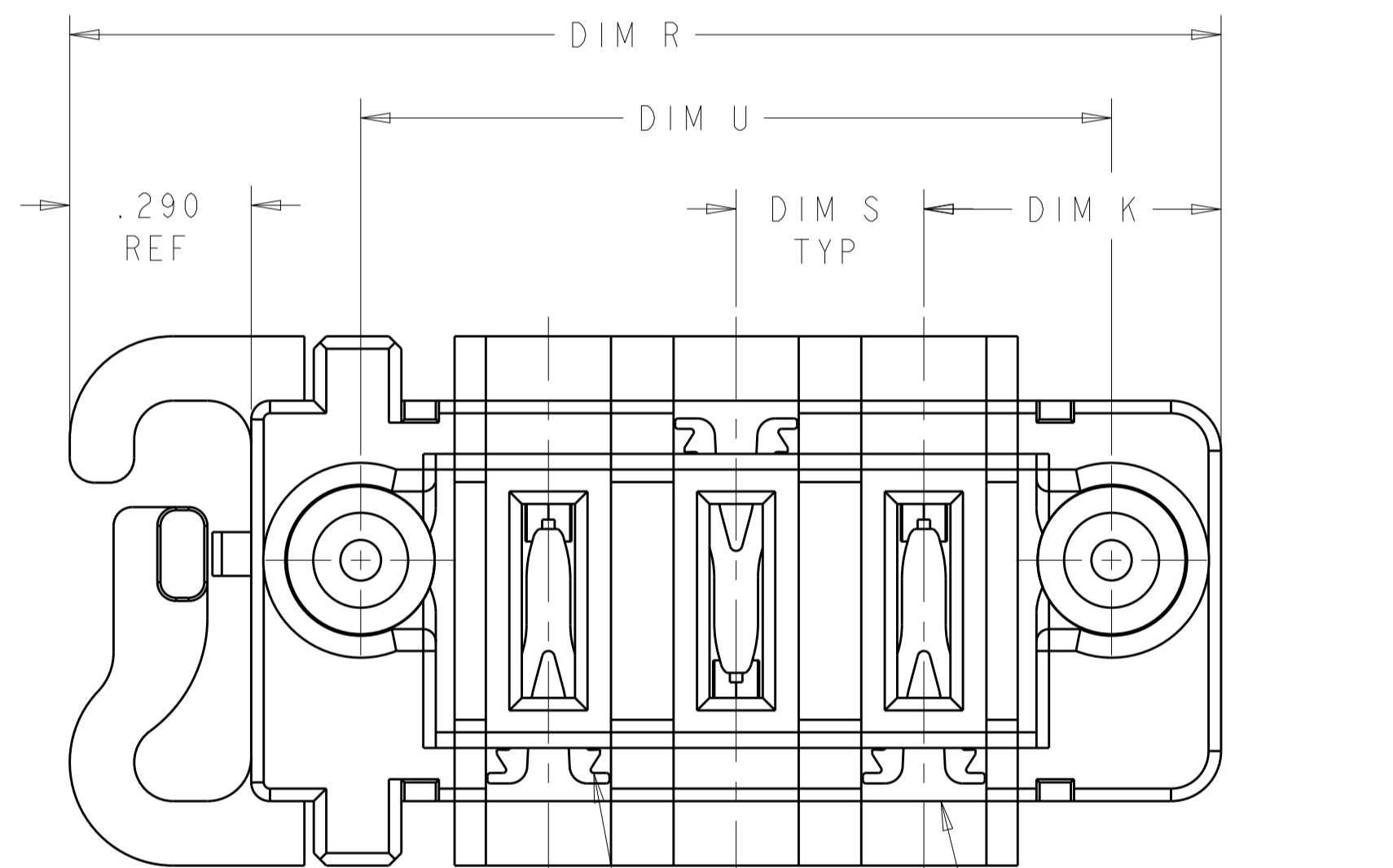
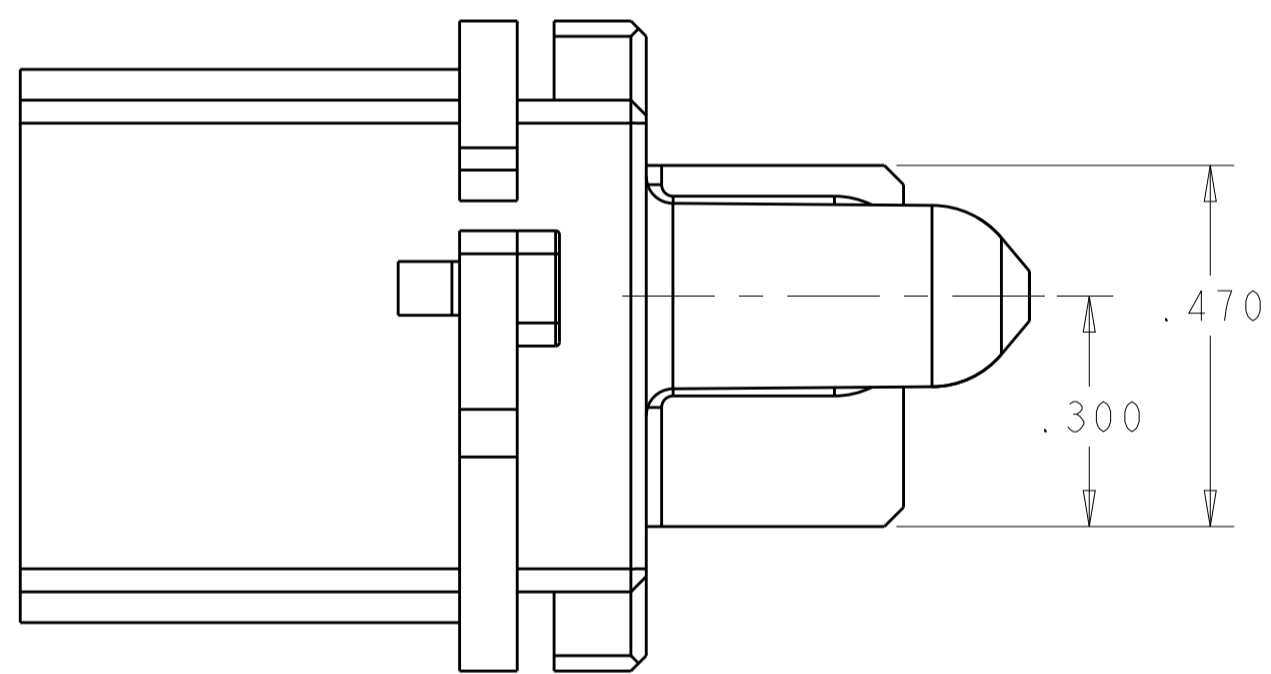
LOC	DIST	REV	DESCRIPTION	DATE	DWN	APVD
ES	00					
		D9	ADD NEW DASH NUMBER -19	09AUG2012	ML	SZ
		d9				



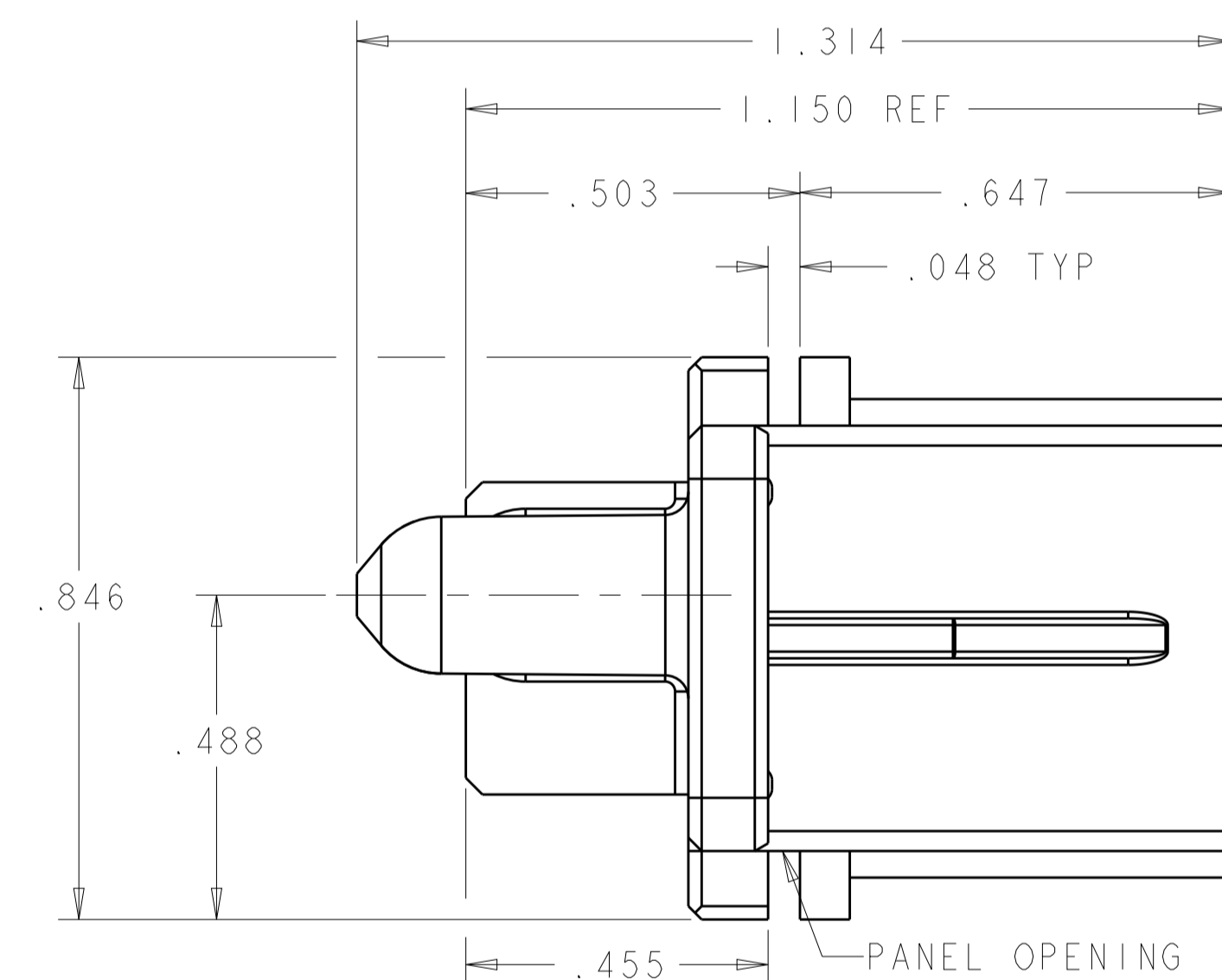
ISOMETRIC VIEW



- ① MATERIAL: THERMO PLASTIC, UL94 V-0.
- ② COMPANY TRADEMARK, PART NUMBER, AND DATE CODE TO BE MARKED IN AREA SHOWN.
- ③ PANEL THICKNESS = .040±.005
- ④ CONNECTOR KEEP OUT ZONE.
- ⑤ POWER CONTACT REFERENCE:
PART NUMBER: 1600960 & 1600961
MATERIAL: COPPER ALLOY
FINISH (INTERFACE): .0000030 Au OVER .0000050 Ni
- ⑥ DASH NUMBERS INDICATED ARE NOT RELEASED FOR PRODUCTION.
- ⑦ VARIABLE DIMENSION SHOW ON THE TABLE.



REF:
POWER SECONDARY LOCK
PART NUMBER: 1600903-1



③	3.465	△	2.825	3.175	.525	6ACP(8AWG)	2-292499-0
	1.840	.300	1.200	1.550	.475	3ACP(8AWG)	1-292499-9
③	2.365	.375	1.725	2.075	.475	4P(8AWG)	1-292499-8
	2.040	.375	1.400	1.750	.500	3ACP(8AWG)	1-292499-6
	2.190	.300	1.550	1.900	.500	4ACP(10AWG)	1-292499-5
	1.940	.200	1.300	1.650	.425	5HDP(12AWG)	1-292499-4
	3.465	△	2.825	3.175	.525	6ACP(10AWG)	1-292499-3
	2.340	.200	1.700	2.050	.425	7HDP(12AWG)	1-292499-2
⑥	2.440	.300	1.800	2.150	.475	5ACP(8AWG)	1-292499-1
	2.440	.250	1.800	2.150	.450	6P(12AWG)	292499-8
	2.940	.250	2.300	2.650	.450	8P(12AWG)	292499-7
	1.940	.250	1.300	1.650	.450	4P(12AWG)	292499-4
	2.140	.300	1.500	1.850	.475	4ACP(12AWG)	292499-3
	2.440	.300	1.800	2.150	.475	5ACP(12AWG)	292499-2
	1.840	.300	1.200	1.550	.475	3ACP(12AWG)	292499-1
	DIM R	DIM S	DIM U	DIM L	DIM K	DESCRIPTION	PART NUMBER
	REF						

THIS DRAWING IS A CONTROLLED DOCUMENT.

DIMENSIONS: INCHES

TOLERANCES UNLESS OTHERWISE SPECIFIED:

0 PLC	±
1 PLC	±.01
2 PLC	±.02
3 PLC	±.005
4 PLC	±.002
ANGLES	±1°

MATERIAL: △

FINISH:

Customer Drawing

DWN: S. ZHAO 08AUG2006
CHK: S. ZHAO 08AUG2006
APVD: S. ZHAO

NAME: SLIDE TO LOCK PANEL MOUNT CABLE RECEPTACLE HOUSING, WITH GUIDES, MULTI-BEAM XL

PRODUCT SPEC: 108-2157
APPLICATION SPEC: 114-13112

SIZE: A100779
CAGE CODE: 292499
DRAWING NO: 108-2157

RESTRICTED TO: 1 OF 3 SHEETS

SCALE: 1:1

REV: E

LOC	DIST	REV	DATE	BY	APPV
ES	00				

REVISIONS		DATE	BY	APPV
-	SEE SHEET 1	-	-	-

PART NUMBER	ROWS	POWER		
		P3	P2	P1
292499-1	D C B A	RM	RA	RM
3ACP				

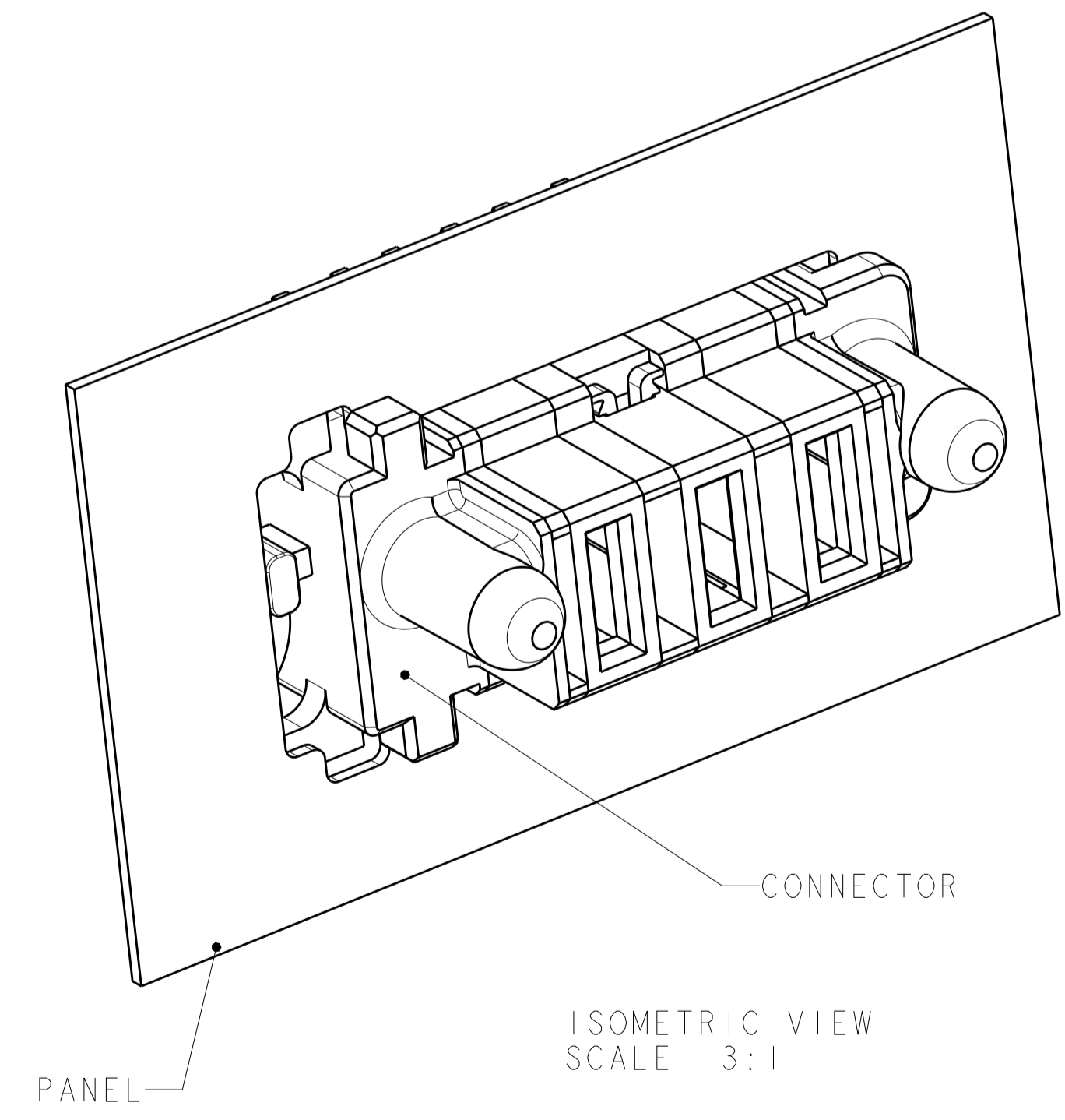
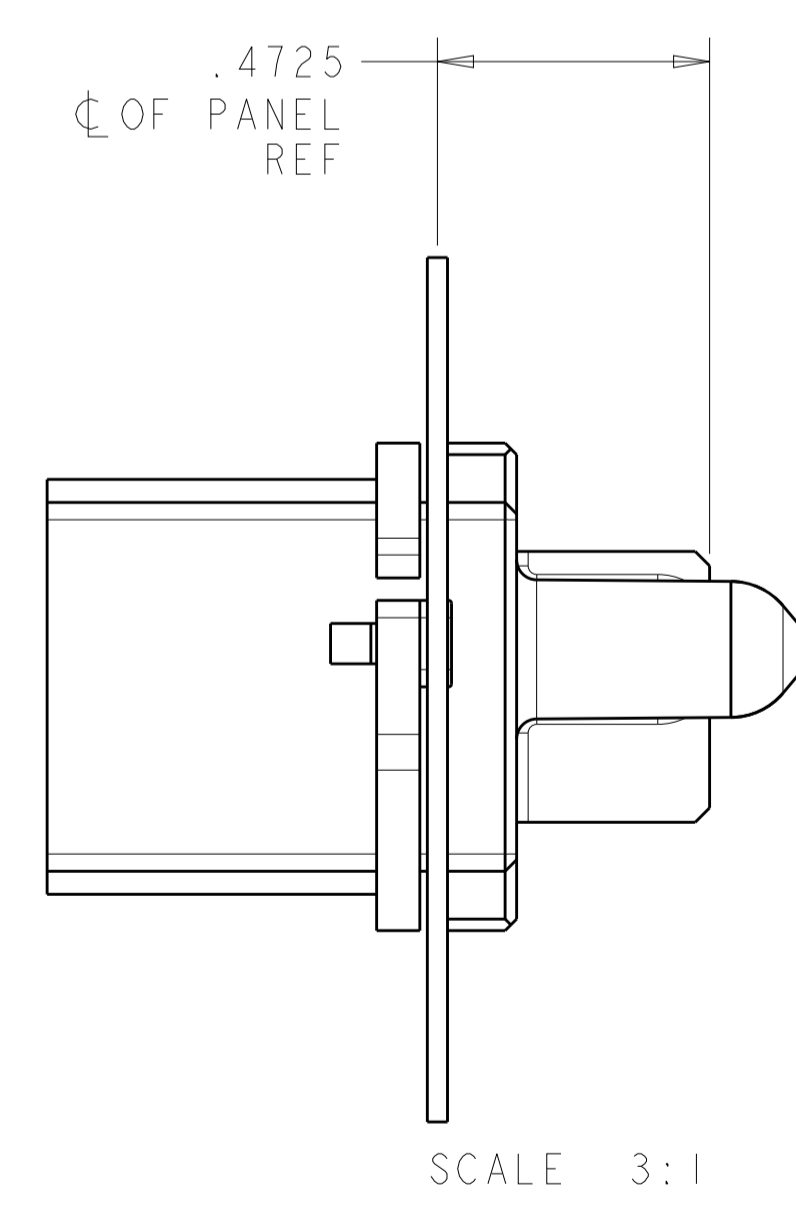
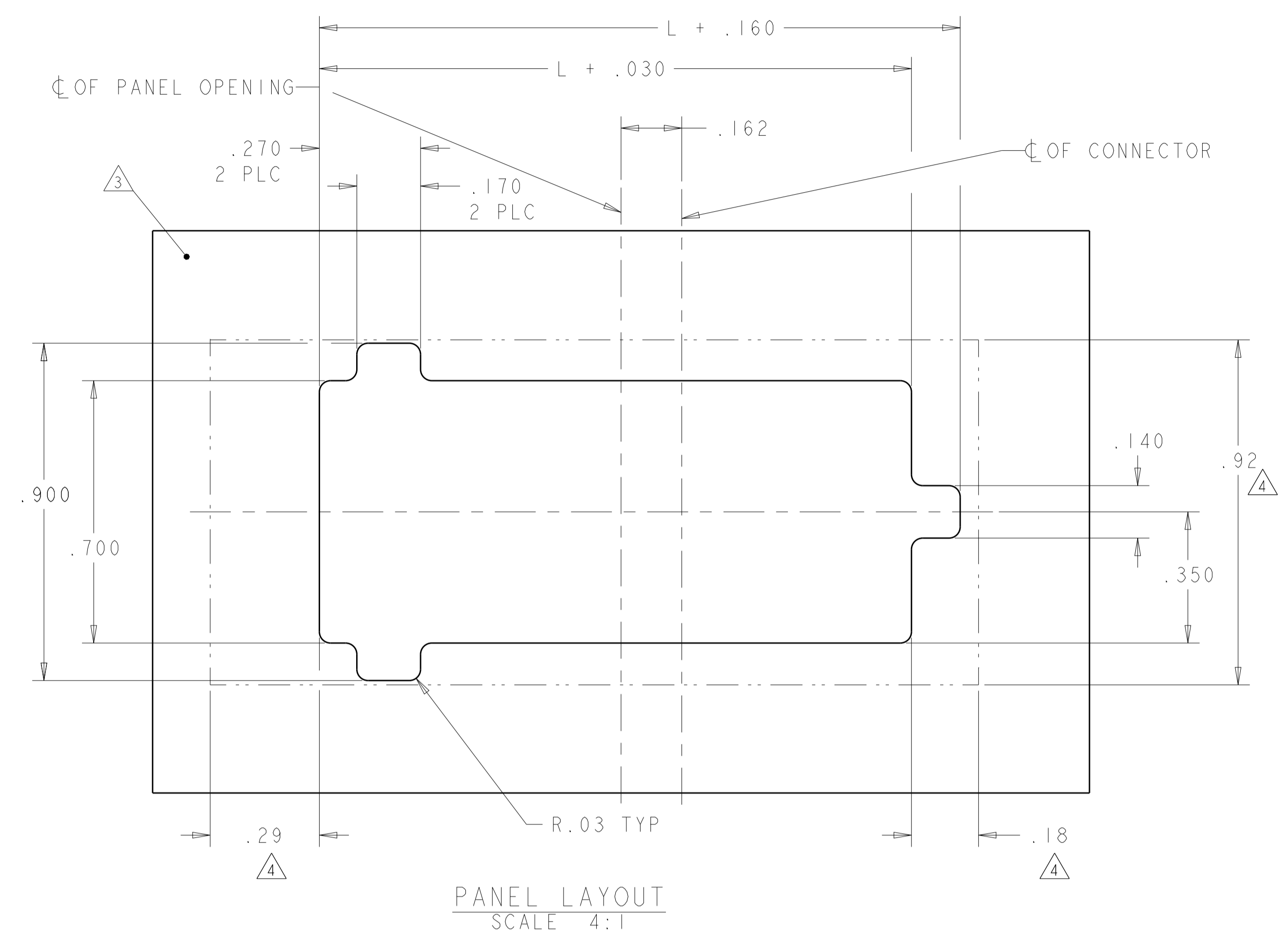
PART NUMBER	ROWS	POWER				
		P5	P4	P3	P2	P1
292499-2	D C B A	RM	RA	RM	RA	RM
5ACP						

PART NUMBER	ROWS	POWER			
		P4	P3	P2	P1
292499-3	D C B A	RM	RM	RM	RM
4ACP					

PART NUMBER	ROWS	POWER			
		P4	P3	P2	P1
292499-4	D C B A	RM	RM	RM	RM
4P					

PART NUMBER	ROWS	POWER							
		P8	P7	P6	P5	P4	P3	P2	P1
292499-7	D C B A	RM	RM	RM	RM	RM	RM	RM	RM
8P									

PART NUMBER	ROWS	POWER					
		P6	P5	P4	P3	P2	P1
292499-8	D C B A	RM	RM	RM	RM	RM	RM
6P							

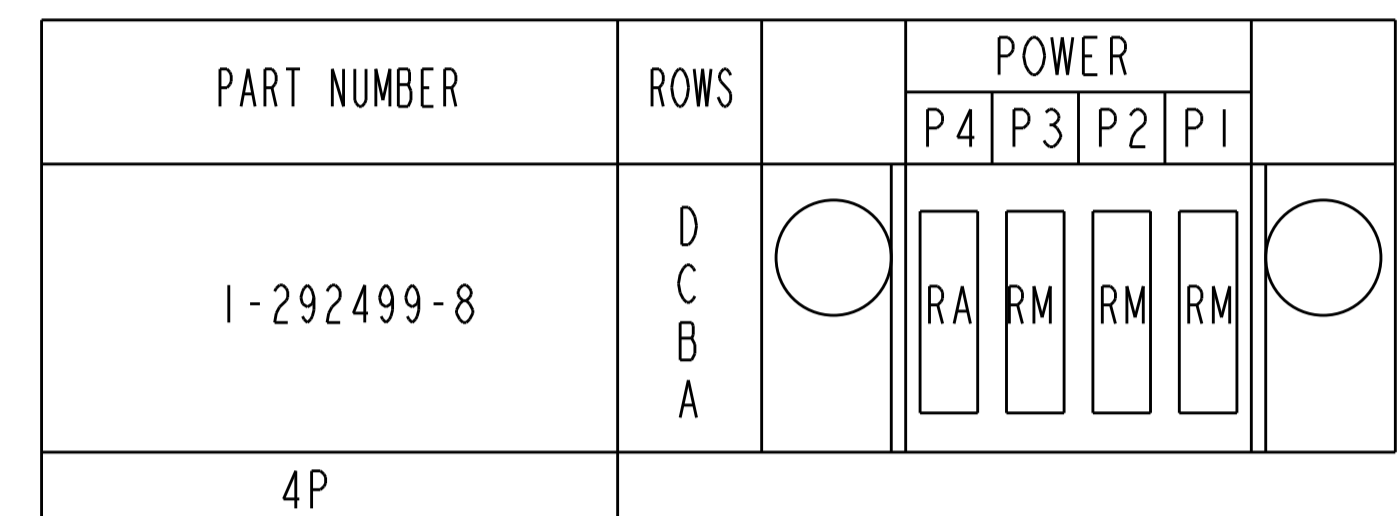
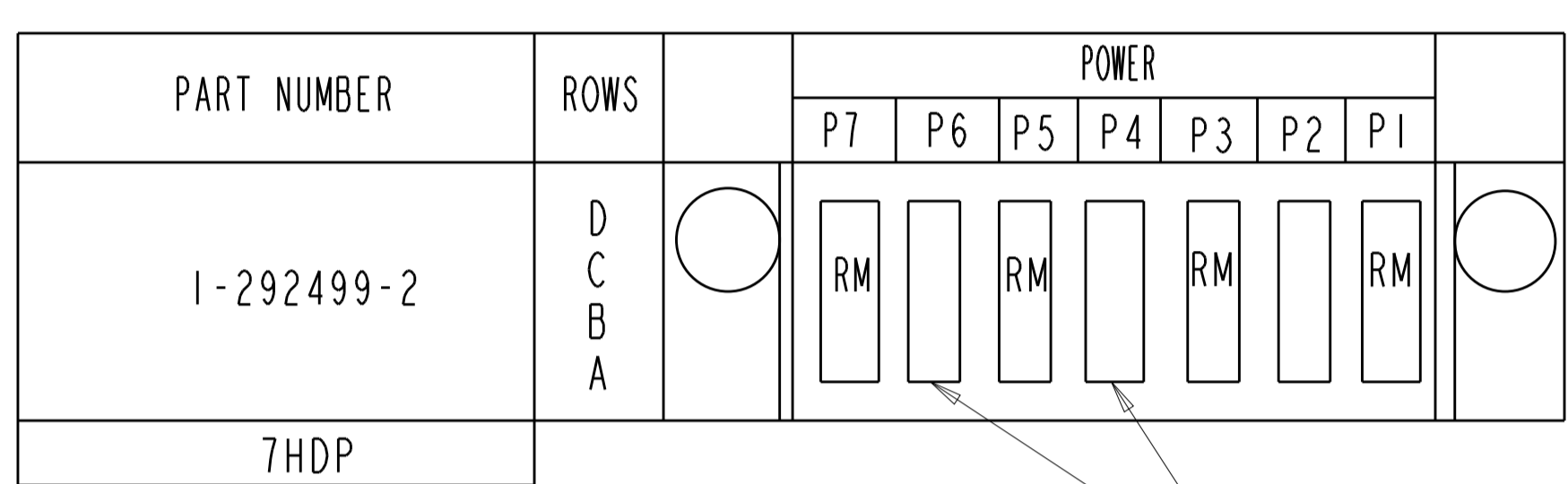
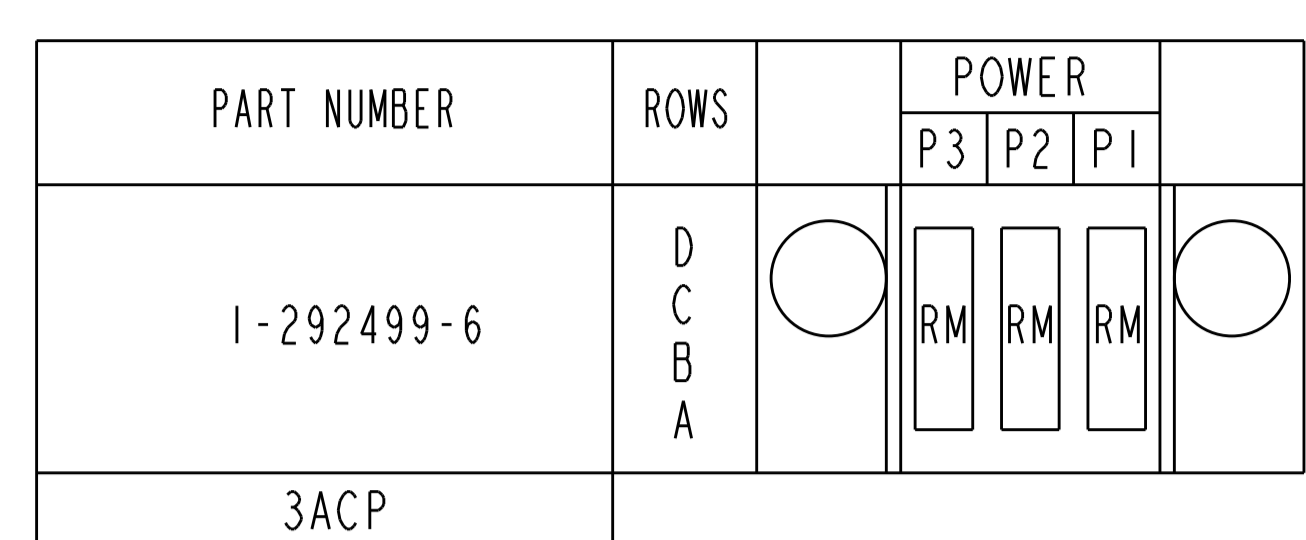
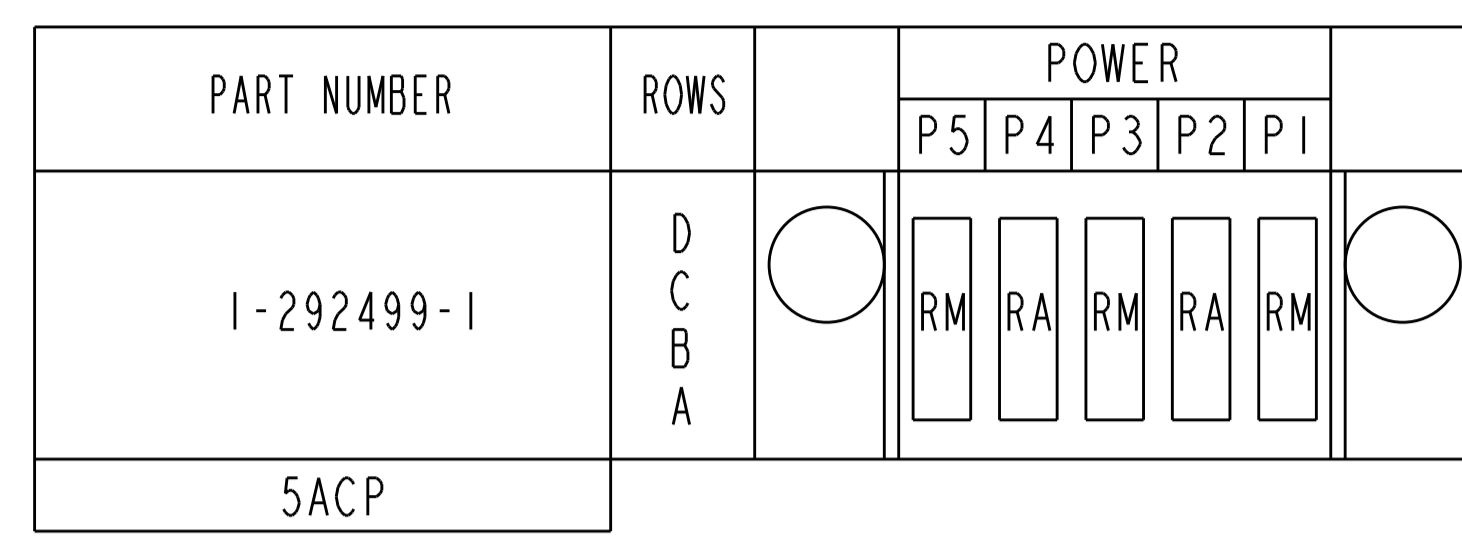


CODE	DESCRIPTION
RM	STANDARD POWER CONTACT
RA	MFBL POWER CONTACT

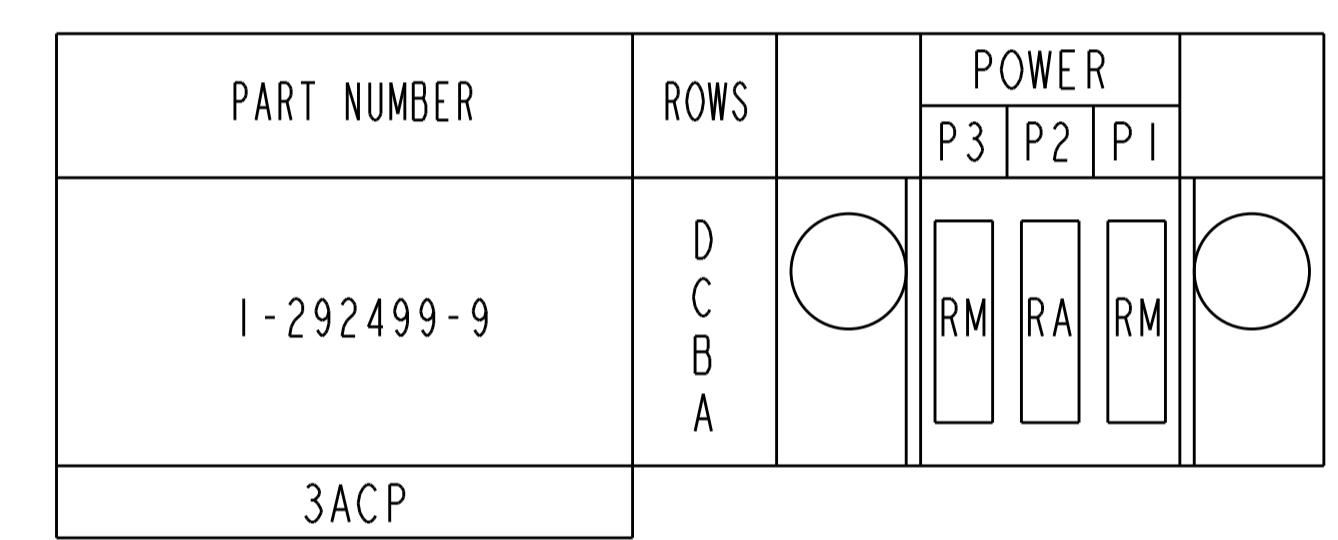
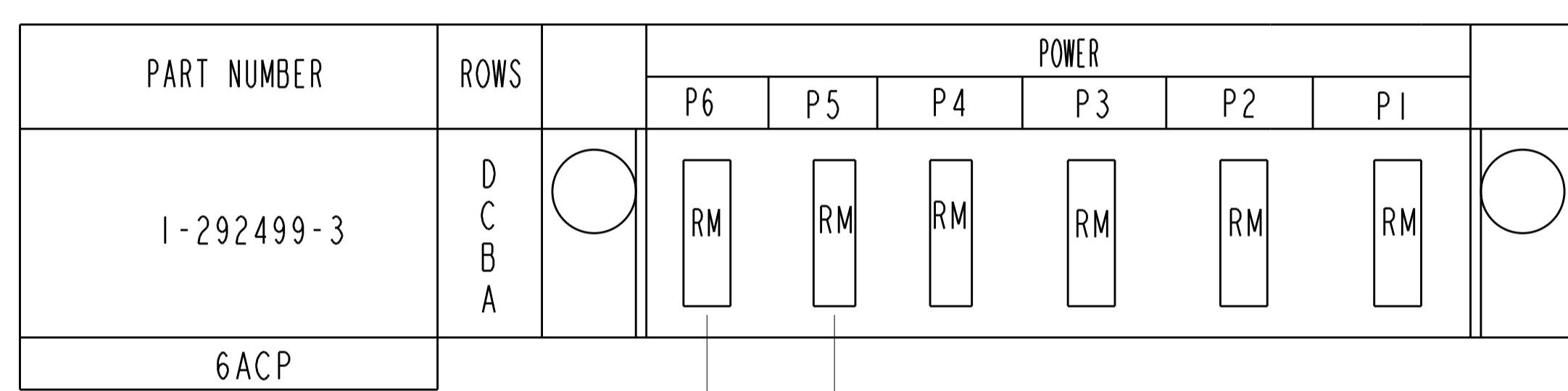
CONTACT TABLE

THIS DRAWING IS A CONTROLLED DOCUMENT.		DWN S. ZHAO 08AUG2006	TE Connectivity
DIMENSIONS: INCHES		CHK S. ZHAO 08AUG2006	
TOLERANCES UNLESS OTHERWISE SPECIFIED:		APVD S. YAO	NAME
0 PLC	±	PRODUCT SPEC	SLIDE TO LOCK PANEL MOUNT CABLE RECEPTACLE HOUSING, WITH GUIDES, MULTI-BEAM XL
1 PLC	±.01	APPLICATION SPEC	SIZE
2 PLC	±.005	WEIGHT	A100779
3 PLC	±.002	SCALE	1:1
4 PLC	±.002	SHEET	2 OF 3
ANGLES	±.002	REV	E
MATERIAL	FINISH	Customer Drawing	

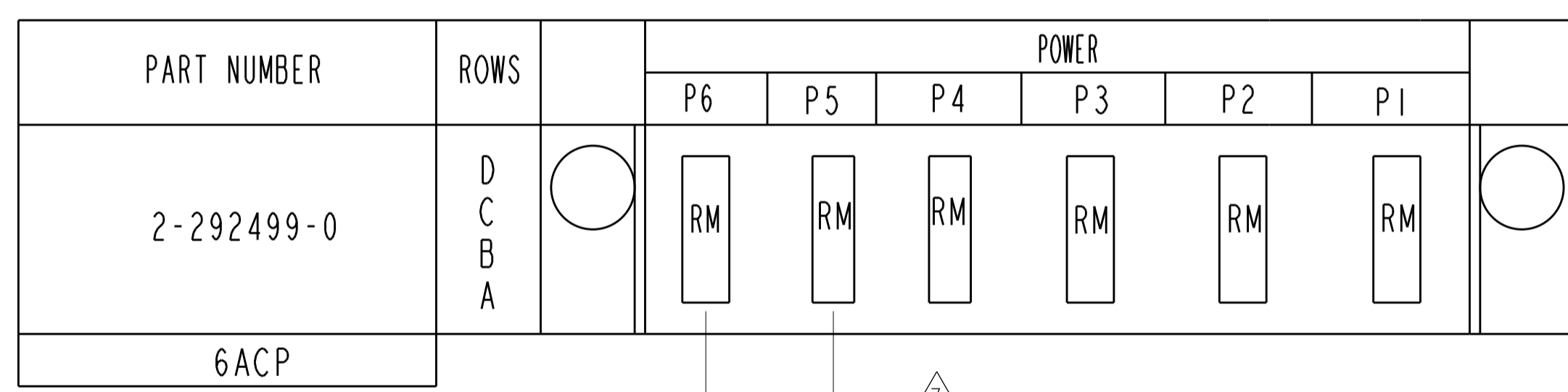
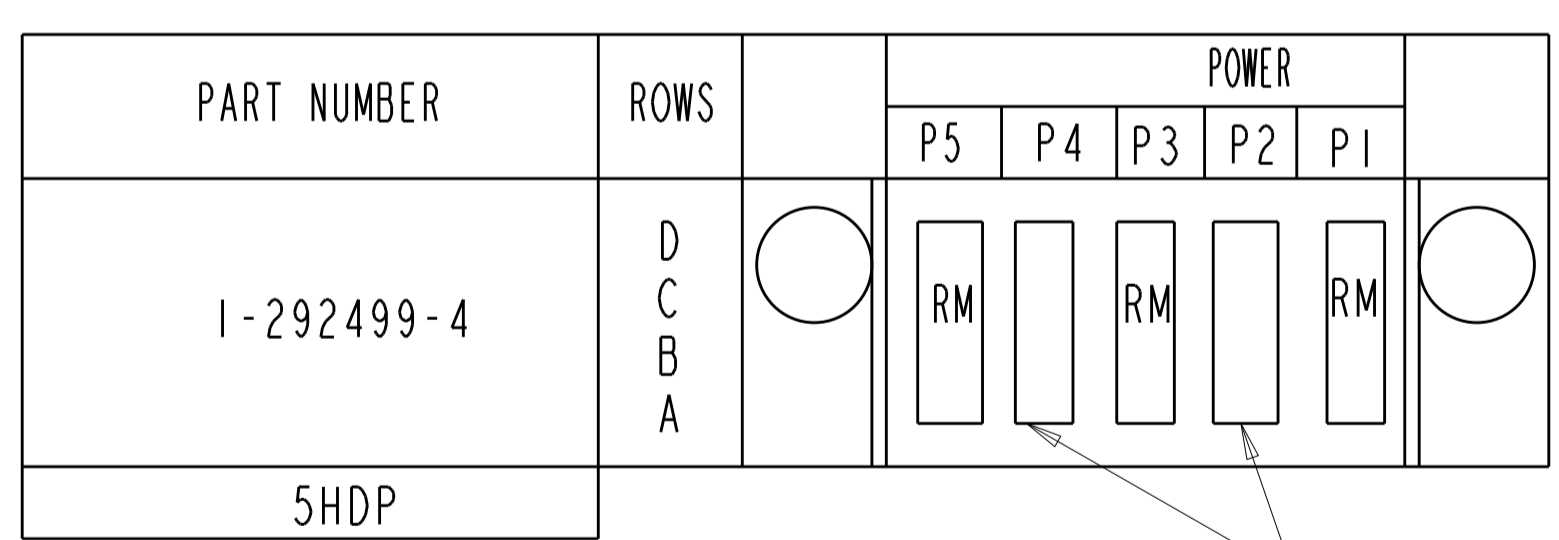
LOC	DIST	REV	DATE	BY	APPV
ES	00				
		REVISIONS			
		DESCRIPTION	DATE	BY	APPV
		SEE SHEET 1			



NO LOADING CONTACT

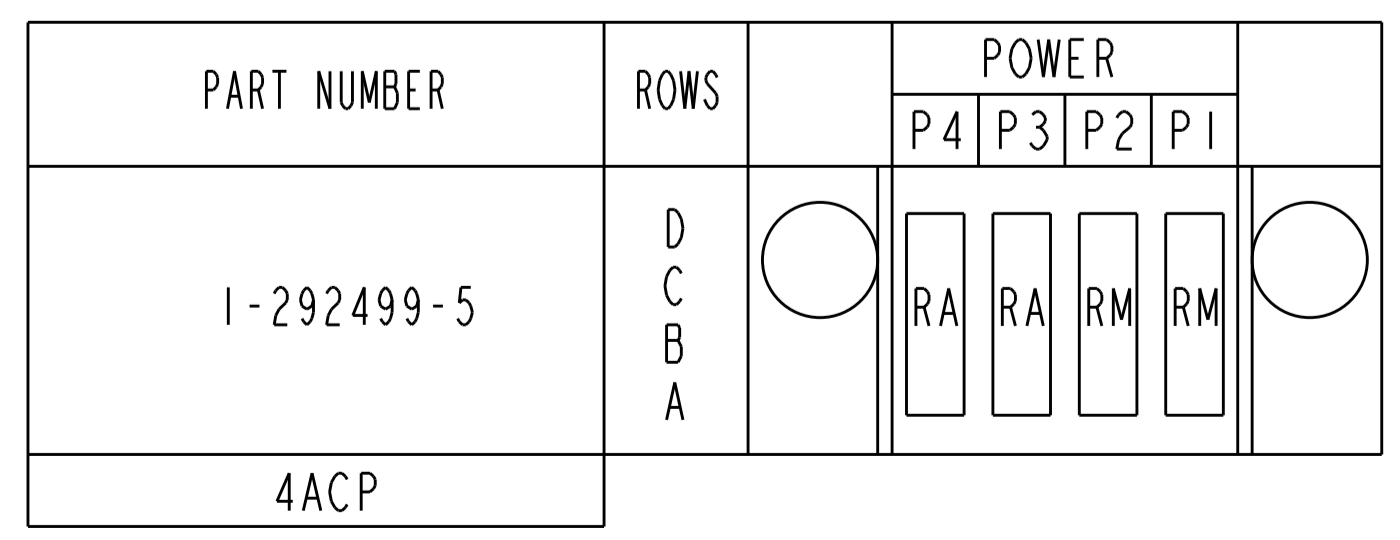


.425
5PLC



.425
5PLC

NO LOADING CONTACT



THIS DRAWING IS A CONTROLLED DOCUMENT.		DWN: S.ZHAO 08AUG2006 CHK: S.ZHAO 08AUG2006 APVD: S.YAO PRODUCT SPEC APPLICATION SPEC	TE Connectivity NAME: SLIDE TO LOCK PANEL MOUNT CABLE RECEPTACLE HOUSING, WITH GUIDES, MULTI-BEAM XL SIZE: A1 CAGE CODE: 00779 DRAWING NO: C=292499 RESTRICTED TO: - Customer Drawing
DIMENSIONS: INCHES 	TOLERANCES UNLESS OTHERWISE SPECIFIED: 0 PLC ±. 1 PLC ±.01 2 PLC ±.01 3 PLC ±.005 4 PLC ±.002 ANGLES ±.1° FINISH: -	WEIGHT: - SCALE: 1:1 SHEET: 3 OF 3 REV: E	